



AUTO PARTS

# Product Bulletin

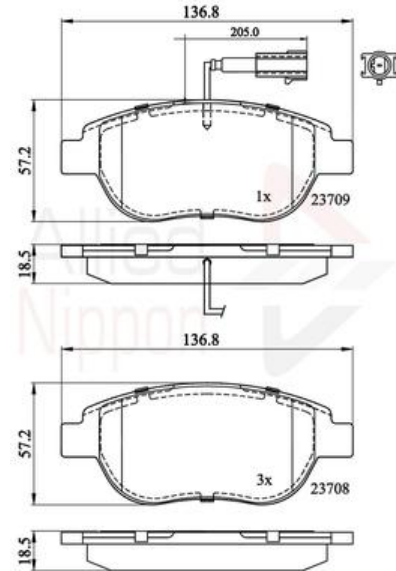
## ADB11038 - Brake pad set, disc brake

### Vehicles

ABARTH, CHRYSLER, FIAT, LANCIA, OPEL, VAUXHALL,

### Technical Info

Brake System_P	Bosch
Fitting Position	Front Axle
Length (mm)	136.8
Part Info	With Fixed Wear Indicator
Thickness (mm)	18.5
Width (mm)	57.2



### Cross References

<b>A.B.S.</b>	37282	<b>ABE</b>	C1F037ABE	<b>ACDELCO</b>	AC600281D
<b>ALFA ROMEO</b>	77365623	<b>APEC</b>	PAD1550	<b>ASHIKA</b>	50-00-0061
<b>ATE</b>	13.0460-3827.2	<b>ATE</b>	13.0460-3983.2	<b>BENDIX</b>	573075B
<b>BENDIX</b>	573075X	<b>BETTAPARTS</b>	PLU3754	<b>BLUE PRINT</b>	ADL144202
<b>BORG &amp; BECK</b>	BBP1717	<b>BOSCH</b>	0 986 424 596	<b>BOSCH</b>	0 986 494 074
<b>BR-WORLD</b>	BW952	<b>Brake Fit</b>	PD3218	<b>BRAKE-ENGG</b>	PA1307
<b>BREMBO</b>	P23120	<b>CIFAM</b>	822-322-0	<b>CITROEN</b>	425409
<b>COMLINE</b>	CBP11038	<b>DELPHI</b>	LP1721	<b>DITAS</b>	DFB2656
<b>FEBI</b>	16554	<b>FERODO</b>	FDB1467	<b>FERODO</b>	FDS1467
<b>FERODO</b>	FQT1467	<b>FERODO</b>	FSL1467	<b>FIAT</b>	51928528

### Notes:

Manufacturers details are for guidance only. For pricing enquiries please contact our sales team on 01582 578 888

### Comline Auto Parts Limited

Unit B1, Luton Enterprise Park, Sundon Road, Luton, Bedfordshire LU3 3GU

Tel: 01582 578 888 International Tel: +44 1582 578 888 Fax: 01582 578 889 International Fax: +44 1582 578 889

Email: [sales@comline.uk.com](mailto:sales@comline.uk.com) Web: [www.comline.uk.com](http://www.comline.uk.com)



**AUTO PARTS**

# Product Bulletin

## ADB11038 - Brake pad set, disc brake

### Cross References

<b>FERODO</b>	FQT1467	<b>FERODO</b>	FSL1467	<b>FIAT</b>	51928528
<b>FIAT</b>	71752990	<b>FIAT</b>	71754803	<b>FIAT</b>	71770981
<b>FIAT</b>	71772222	<b>FIAT</b>	71772521	<b>FIAT</b>	77362092
<b>FIAT</b>	77362195	<b>FIAT</b>	77362712	<b>FIAT</b>	77363420
<b>FIAT</b>	77363958	<b>FIAT</b>	77364473	<b>FIAT</b>	77364599
<b>FIAT</b>	77364875	<b>FIAT</b>	77365026	<b>FIAT</b>	77365113
<b>FIAT</b>	77365379	<b>FIAT</b>	77365623	<b>FIAT</b>	77365810
<b>FIAT</b>	9949276	<b>FLENNOR</b>	FB210872	<b>FREMAX</b>	FBP-1219-01
<b>FRI.TECH.</b>	331.0	<b>FTE</b>	BL1857A4	<b>GENERAL MOTORS</b>	95511321
<b>GIRLING</b>	6114834	<b>HP</b>	HP7417	<b>ICER</b>	181440
<b>ICER</b>	181440-701	<b>JAPKO</b>	500061	<b>JURATEK</b>	JCP1467
<b>JURID</b>	573075D	<b>JURID</b>	573075J	<b>KAMOKA</b>	JQ1012934
<b>LANCIA</b>	77365026	<b>LANCIA</b>	77365623	<b>LPR</b>	05P1268
<b>LPR</b>	05P764	<b>LPR</b>	05P764K	<b>MAGNETI-MA</b>	363700201825
<b>MAGNETI-MA</b>	363700201830	<b>MAGNETI-MA</b>	363700205160	<b>MAGNETI-MA</b>	363700205163
<b>MAGNETI-MA</b>	363702000000	<b>MAGNETI-MA</b>	363702161160	<b>MAGNETI-MA</b>	363702161161
<b>MASTER-SPORT</b>	13046039832N-SET-MS	<b>METELLI</b>	22-0322-0	<b>METZGER</b>	0859.01
<b>METZGER</b>	859.01	<b>MEYLE</b>	025 237 0919/PD	<b>MEYLE</b>	025 237 0919/W
<b>MEYLE</b>	MBP0426	<b>MEYLE</b>	MBP0799PD	<b>MINTEX</b>	MDB2240
<b>MINTEX</b>	MDB3015	<b>MOPROD</b>	MBP1318	<b>MOTAQUIP</b>	LVXL1040
<b>NATIONAL</b>	NP2208	<b>NECTO</b>	FD6917A	<b>NK</b>	222364
<b>OPEL</b>	1605157	<b>OPEL</b>	1605181	<b>OPEL</b>	95515027

#### Notes:

Manufacturers details are for guidance only. For pricing enquiries please contact our sales team on 01582 578 888

#### Comline Auto Parts Limited

Unit B1, Luton Enterprise Park, Sundon Road, Luton, Bedfordshire LU3 3GU

Tel: 01582 578 888 International Tel: +44 1582 578 888 Fax: 01582 578 889 International Fax: +44 1582 578 889

**Email:** [sales@comline.uk.com](mailto:sales@comline.uk.com) **Web:** [www.comline.uk.com](http://www.comline.uk.com)



**AUTO PARTS**

# Product Bulletin

## ADB11038 - Brake pad set, disc brake

### Cross References

<b>OPEL</b>	1605181	<b>OPEL</b>	95515027	<b>OPTIMAL</b>	85901
<b>PAGID</b>	T1825	<b>PAGID</b>	T5163	<b>PEUGEOT</b>	425408
<b>PEX</b>	7.622	<b>QH</b>	BP1318	<b>RAICAM</b>	RA.0761.0
<b>REMSA</b>	0859.01	<b>REMSA</b>	0859.11	<b>ROADHOUSE</b>	2859.01
<b>ROADHOUSE</b>	2859.11	<b>SAMKO</b>	5SP1268	<b>SAMKO</b>	5SP764
<b>SBS</b>	1501222364	<b>SCT</b>	SP 423	<b>STOP</b>	573075S
<b>TEMPLIN</b>	01.10.42.120898	<b>TEXTAR</b>	2370802	<b>TEXTAR</b>	2370804
<b>TRISCAN</b>	811015020	<b>TRUPARTS</b>	DP11467	<b>TRUSTING</b>	331.0
<b>TRW</b>	GDB1483	<b>TRW</b>	GDB1483DTE	<b>TRW</b>	GDB1655
<b>TRW</b>	GDB1879	<b>UNIPART</b>	GBP1453AF	<b>VALEO</b>	598427
<b>VECO</b>	VA1027	<b>VILLAR</b>	626.0764	<b>WAGNER</b>	WBP23708A
<b>WOKING</b>	P9593.01	<b>WVA</b>	23708	<b>WVA</b>	2370818215
<b>WVA</b>	2370819025	<b>WVA</b>	23709	<b>WVA</b>	23710
<b>WVA</b>	23981	<b>ZIMMERMANN</b>	23708.190.1	<b>Ztec</b>	BP23708.0

#### Notes:

Manufacturers details are for guidance only. For pricing enquiries please contact our sales team on 01582 578 888

#### Comline Auto Parts Limited

Unit B1, Luton Enterprise Park, Sundon Road, Luton, Bedfordshire LU3 3GU

Tel: 01582 578 888 International Tel: +44 1582 578 888 Fax: 01582 578 889 International Fax: +44 1582 578 889

**Email:** [sales@comline.uk.com](mailto:sales@comline.uk.com) **Web:** [www.comline.uk.com](http://www.comline.uk.com)



**AUTO PARTS**

# Product Bulletin

## ADB11038 - Brake pad set, disc brake

### Buyers Guide

Make/Model	Litre	CC	Engine	HP	Model Year	Fitted Period
ABARTH 500C / 595C / 695C (312_)	1.4	1368	Petrol	140	9/2009 >	
CHRYSLER DELTA	1.4	1368	Petrol	120	8/2011 >	
CHRYSLER DELTA	1.6	1598	Diesel	120	8/2011 >	
FIAT BRAVO II (198_)	1.4	1368	Petrol	120	10/2007 - 12/2014	
FIAT BRAVO II (198_)	1.9	1910	Diesel	120	4/2007 - 12/2014	
FIAT BRAVO II (198_)	1.9	1910	Diesel	116	11/2006 - 12/2009	
FIAT BRAVO II (198_)	1.6	1598	Diesel	90	3/2008 - 12/2014	
FIAT BRAVO II (198_)	1.9	1910	Diesel	90	4/2007 - 12/2008	
FIAT BRAVO II (198_)	1.6	1598	Diesel	120	3/2008 - 12/2014	
FIAT BRAVO II (198_)	1.6	1598	Diesel	105	9/2007 - 12/2014	
FIAT DOBLO Box Body / Estate (263_)	1.3	1248	Diesel	75	11/2013 >	
FIAT DOBLO Box Body / Estate (263_)	1.4	1368	Petrol	120	10/2011 >	
FIAT DOBLO Box Body / Estate (263_)	1.6	1598	Diesel	90	2/2010 >	
FIAT DOBLO Box Body / Estate (263_)	1.4	1368	Petrol	120	6/2010 >	
FIAT DOBLO Box Body / Estate (263_)	1.6	1598	Diesel	105	2/2010 >	
FIAT DOBLO Box Body / Estate (263_)	2.0	1956	Diesel	135	2/2010 >	
FIAT DOBLO Box Body / Estate (263_)	1.6	1598	Diesel	100	2/2010 >	
FIAT DOBLO Box Body / Estate (263_)	1.3	1248	Diesel	90	2/2010 >	
FIAT DOBLO Box Body / Estate (263_)	1.4	1368	Petrol	95	2/2010 >	
FIAT DOBLO Combi (263_)	1.6	1598	Diesel	120	3/2015 >	
FIAT DOBLO Combi (263_)	1.6	1598	Diesel	95	3/2015 >	
FIAT DOBLO Combi (263_)	1.4	1368	Petrol	120	10/2011 >	
FIAT DOBLO Combi (263_)	1.4	1368	Petrol	120	2/2010 >	
FIAT DOBLO Combi (263_)	1.6	1598	Diesel	90	2/2010 >	
FIAT DOBLO Combi (263_)	2.0	1956	Diesel	135	1/2010 >	
FIAT DOBLO Combi (263_)	1.6	1598	Diesel	105	1/2010 >	

#### Notes:

Manufacturers details are for guidance only. For pricing enquiries please contact our sales team on 01582 578 888

#### Comline Auto Parts Limited

Unit B1, Luton Enterprise Park, Sundon Road, Luton, Bedfordshire LU3 3GU

Tel: 01582 578 888 International Tel: +44 1582 578 888 Fax: 01582 578 889 International Fax: +44 1582 578 889

**Email:** [sales@comline.uk.com](mailto:sales@comline.uk.com) **Web:** [www.comline.uk.com](http://www.comline.uk.com)



**AUTO PARTS**

# Product Bulletin

## ADB11038 - Brake pad set, disc brake

### Buyers Guide

Make/Model	Litre	CC	Engine	HP	Model Year	Fitted Period
FIAT DOBLO Combi (263_)	1.4	1368	Petrol	95	2/2010 >	
FIAT DOBLO Combi (263_)	1.3	1248	Diesel	90	2/2010 >	
FIAT DOBLO Platform/Chassis (263_)	1.3	1248	Diesel	75	11/2013 >	
FIAT DOBLO Platform/Chassis (263_)	1.6	1598	Diesel	90	2/2010 >	
FIAT DOBLO Platform/Chassis (263_)	1.6	1598	Diesel	101	2/2011 >	
FIAT DOBLO Platform/Chassis (263_)	1.4	1368	Petrol	95	4/2010 >	
FIAT DOBLO Platform/Chassis (263_)	2.0	1956	Diesel	135	2/2010 >	
FIAT DOBLO Platform/Chassis (263_)	1.6	1598	Diesel	105	2/2010 >	
FIAT DOBLO Platform/Chassis (263_)	1.3	1248	Diesel	90	2/2010 >	
FIAT GRANDE PUNTO (199_)	1.4	1368	Petrol	120	9/2007 >	
FIAT GRANDE PUNTO (199_)	1.9	1910	Diesel	130	10/2005 >	2/2006 >
FIAT GRANDE PUNTO (199_)	1.9	1910	Diesel	120	10/2005 >	2/2006 - 2/2007
FIAT GRANDE PUNTO (199_)	1.3	1248	Diesel	90	10/2005 >	2/2006 - 2/2007
FIAT GRANDE PUNTO (199_)	1.3	1248	Diesel	76	6/2009 >	
FIAT GRANDE PUNTO (199_)	1.6	1598	Diesel	120	7/2008 >	
FIAT GRANDE PUNTO (199_)	1.9	1910	Diesel	116	6/2006 - 12/2009	
FIAT GRANDE PUNTO (199_)	1.3	1248	Diesel	69	7/2008 >	
FIAT IDEA (350_)	1.3	1248	Diesel	90	10/2005 >	2/2006 - 8/2007
FIAT IDEA (350_)	1.9	1910	Diesel	101	1/2004 >	2/2006 >
FIAT IDEA (350_)	1.8	1796	Petrol	110	1/2008 - 7/2010	
FIAT IDEA (350_)	1.6	1598	Diesel	120	5/2008 >	
FIAT LINEA (323_, 110_)	1.6	1598	Diesel	105	6/2009 >	
FIAT LINEA (323_, 110_)	1.4	1368	Petrol	120	9/2007 >	
FIAT MULTIPLA (186_)	1.9	1910	Diesel	120	4/2002 - 6/2010	1/2006 >
FIAT MULTIPLA (186_)	1.6	1596	Petrol	95	4/2002 - 6/2010	
FIAT MULTIPLA (186_)	1.9	1910	Diesel	115	7/2002 - 6/2010	> 1/2006

#### Notes:

Manufacturers details are for guidance only. For pricing enquiries please contact our sales team on 01582 578 888

#### Comline Auto Parts Limited

Unit B1, Luton Enterprise Park, Sundon Road, Luton, Bedfordshire LU3 3GU

Tel: 01582 578 888 International Tel: +44 1582 578 888 Fax: 01582 578 889 International Fax: +44 1582 578 889

**Email:** [sales@comline.uk.com](mailto:sales@comline.uk.com) **Web:** [www.comline.uk.com](http://www.comline.uk.com)



# Product Bulletin

## ADB11038 - Brake pad set, disc brake

### Buyers Guide

Make/Model	Litre	CC	Engine	HP	Model Year	Fitted Period
FIAT MULTIPLA (186_)	1.6	1596	Petrol	103	10/2001 - 6/2010	
FIAT MULTIPLA (186_)	1.9	1910	Diesel	110	3/2001 - 7/2002	
FIAT MULTIPLA (186_)	1.6	1581	Petrol	103	4/1999 - 6/2010	
FIAT MULTIPLA (186_)	1.6	1581	Petrol	95	4/1999 - 6/2010	
FIAT MULTIPLA (186_)	1.9	1910	Diesel	105	4/1999 - 6/2010	11/1999 - 1/2001
FIAT MULTIPLA (186_)	1.6	1581	Petrol	103	4/1999 - 6/2010	11/1999 - 1/2006
FIAT MULTIPLA (186_)	1.6	1596	Petrol	103	10/2001 - 6/2010	
FIAT MULTIPLA (186_)	1.6	1596	Petrol	103	9/2000 - 6/2010	
FIAT PUNTO EVO (199_)	1.3	1248	Diesel	84	10/2009 - 2/2012	
FIAT PUNTO EVO (199_)	1.6	1598	Diesel	120	10/2009 - 2/2012	
FIAT PUNTO EVO (199_)	1.3	1248	Diesel	95	10/2009 - 2/2012	
FIAT PUNTO Van (199_)	1.3	1248	Diesel	95	3/2009 >	
FIAT STILO (192_)	1.9	1910	Diesel	100	9/2005 - 11/2006	
FIAT STILO (192_)	1.9	1910	Diesel	120	9/2005 - 11/2006	
FIAT STILO (192_)	1.9	1910	Diesel	115	10/2001 - 11/2006	> 1/2006
FIAT STILO (192_)	1.9	1910	Diesel	80	2/2002 - 11/2006	
FIAT STILO (192_)	1.8	1747	Petrol	133	10/2001 - 4/2007	
FIAT STILO Multi Wagon (192_)	1.9	1910	Diesel	136	4/2004 - 8/2008	
FIAT STILO Multi Wagon (192_)	1.9	1910	Diesel	126	9/2003 - 8/2008	
FIAT STILO Multi Wagon (192_)	1.9	1910	Diesel	100	9/2005 - 8/2008	
FIAT STILO Multi Wagon (192_)	1.9	1910	Diesel	150	9/2005 - 8/2008	
FIAT STILO Multi Wagon (192_)	1.9	1910	Diesel	120	9/2005 - 8/2008	
FIAT STILO Multi Wagon (192_)	1.4	1368	Petrol	95	1/2004 - 8/2008	
FIAT STILO Multi Wagon (192_)	1.9	1910	Diesel	115	1/2003 - 8/2008	
FIAT STILO Multi Wagon (192_)	1.9	1910	Diesel	80	1/2003 - 8/2008	
FIAT STILO Multi Wagon (192_)	1.8	1747	Petrol	133	1/2003 - 8/2008	

#### Notes:

Manufacturers details are for guidance only. For pricing enquiries please contact our sales team on 01582 578 888

#### Comline Auto Parts Limited

Unit B1, Luton Enterprise Park, Sundon Road, Luton, Bedfordshire LU3 3GU

Tel: 01582 578 888 International Tel: +44 1582 578 888 Fax: 01582 578 889 International Fax: +44 1582 578 889

Email: [sales@comline.uk.com](mailto:sales@comline.uk.com) Web: [www.comline.uk.com](http://www.comline.uk.com)



**AUTO PARTS**

# Product Bulletin

## ADB11038 - Brake pad set, disc brake

### Buyers Guide

Make/Model	Litre	CC	Engine	HP	Model Year	Fitted Period
FIAT STILO Multi Wagon (192_)	1.6	1596	Petrol	103	1/2003 - 8/2008	
FIAT STILO Multi Wagon (192_)	1.6	1598	Petrol	105	3/2005 - 12/2007	
FIAT STILO Multi Wagon (192_)	1.9	1910	Diesel	90	9/2004 - 8/2008	
LANCIA DELTA III (844_)	1.6	1598	Diesel	105	4/2011 - 8/2014	
LANCIA DELTA III (844_)	1.6	1598	Diesel	116	8/2008 - 8/2014	
LANCIA DELTA III (844_)	1.6	1598	Diesel	120	9/2008 - 8/2014	
LANCIA DELTA III (844_)	1.4	1368	Petrol	120	9/2008 - 8/2014	
LANCIA MUSA (350_)	1.3	1248	Diesel	90	9/2006 - 9/2012	
LANCIA MUSA (350_)	1.9	1910	Diesel	101	10/2004 - 9/2012	1/2006 >
LANCIA MUSA (350_)	1.6	1598	Diesel	116	7/2008 - 9/2012	
LANCIA MUSA (350_)	1.6	1598	Diesel	120	7/2008 - 9/2012	
OPEL COMBO Box Body / Estate (X12)	1.4	1368	Petrol	120	2/2012 >	
OPEL COMBO Box Body / Estate (X12)	2.0	1956	Diesel	135	2/2012 >	
OPEL COMBO Box Body / Estate (X12)	1.6	1598	Diesel	101	2/2012 >	
OPEL COMBO Box Body / Estate (X12)	1.3	1248	Diesel	90	2/2012 >	
OPEL COMBO Box Body / Estate (X12)	1.6	1598	Diesel	105	2/2012 >	
OPEL COMBO Box Body / Estate (X12)	1.6	1598	Diesel	90	2/2012 >	
OPEL COMBO Box Body / Estate (X12)	1.4	1368	Petrol	120	2/2012 >	
OPEL COMBO Box Body / Estate (X12)	1.4	1368	Petrol	95	2/2012 >	
OPEL COMBO Combi / Tour (X12)	1.3	1248	Diesel	90	2/2012 >	
OPEL COMBO Combi / Tour (X12)	1.4	1368	Petrol	120	2/2012 >	
OPEL COMBO Combi / Tour (X12)	2.0	1956	Diesel	135	2/2012 >	
OPEL COMBO Combi / Tour (X12)	1.6	1598	Diesel	105	2/2012 >	
OPEL COMBO Combi / Tour (X12)	1.6	1598	Diesel	90	2/2012 >	
OPEL COMBO Combi / Tour (X12)	1.4	1368	Petrol	120	2/2012 >	
OPEL COMBO Combi / Tour (X12)	1.4	1368	Petrol	95	2/2012 >	

#### Notes:

Manufacturers details are for guidance only. For pricing enquiries please contact our sales team on 01582 578 888

#### Comline Auto Parts Limited

Unit B1, Luton Enterprise Park, Sundon Road, Luton, Bedfordshire LU3 3GU

Tel: 01582 578 888 International Tel: +44 1582 578 888 Fax: 01582 578 889 International Fax: +44 1582 578 889

**Email:** [sales@comline.uk.com](mailto:sales@comline.uk.com) **Web:** [www.comline.uk.com](http://www.comline.uk.com)



**AUTO PARTS**

# Product Bulletin

## ADB11038 - Brake pad set, disc brake

### Buyers Guide

Make/Model	Litre	CC	Engine	HP	Model Year	Fitted Period
OPEL COMBO Platform/Chassis (X12)	2.0	1956	Diesel	135	8/2012 >	
VAUXHALL COMBO Mk III (D) Box Body / Estate (X12)	2.0	1956	Diesel	135	11/2011 >	
VAUXHALL COMBO Mk III (D) Box Body / Estate (X12)	1.6	1598	Diesel	105	11/2011 >	
VAUXHALL COMBO Mk III (D) Box Body / Estate (X12)	1.6	1598	Diesel	90	11/2011 >	
VAUXHALL COMBO Mk III (D) Box Body / Estate (X12)	1.3	1248	Diesel	90	11/2011 >	
VAUXHALL COMBO Mk III (D) Box Body / Estate (X12)	1.4	1368	Petrol	95	11/2011 >	
VAUXHALL COMBO Mk III (D) Box Body / Estate (X12)	1.6	1598	Diesel	101	11/2011 >	

#### Notes:

Manufacturers details are for guidance only. For pricing enquiries please contact our sales team on 01582 578 888

#### Comline Auto Parts Limited

Unit B1, Luton Enterprise Park, Sundon Road, Luton, Bedfordshire LU3 3GU

Tel: 01582 578 888 International Tel: +44 1582 578 888 Fax: 01582 578 889 International Fax: +44 1582 578 889

**Email:** [sales@comline.uk.com](mailto:sales@comline.uk.com) **Web:** [www.comline.uk.com](http://www.comline.uk.com)