



AUTO PARTS

Product Bulletin

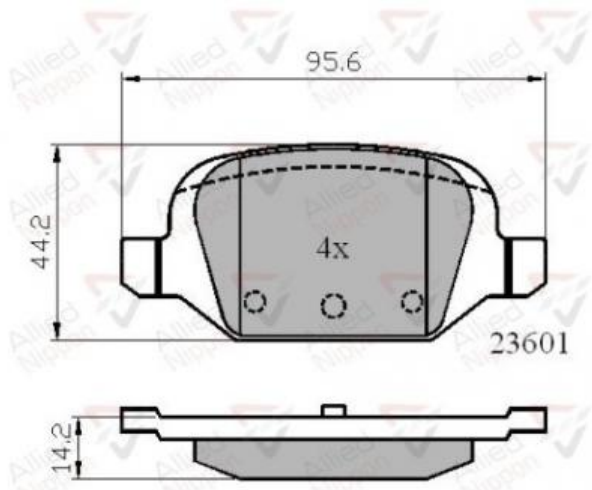
ADB01026 - Brake pad set, disc brake

Vehicles

ABARTH, FIAT, LANCIA,

Technical Info

| | |
|------------------|------------------------|
| Fitting Position | Rear Axle |
| Length (mm) | 95.6 |
| Part Info | Without Wear Indicator |
| Thickness (mm) | 14.2 |
| Width (mm) | 44.2 |



Cross References

| | | | | | |
|------------------------|----------------|-------------------|---------------|-------------------|------------------|
| A.B.S. | 37311 | APEC | PAD1130 | ASHIKA | 51-00-00013 |
| ATE | 13.0460-2879.2 | BETTAPARTS | PLU3745 | BLUE PRINT | NIR - 18-10-2017 |
| BORG & BECK | BBP1775 | BOSCH | 0 986 424 756 | Brake Fit | PD3177 |
| BRAKE-ENGG | PA1273 | BREMBO | P 23 064 | BREMBO | P23064 |
| CIFAM | 822-324-0 | COMLINE | CBP01026 | DELPHI | LP1678 |
| DON | MDB2042 | FEBI | 16370 | FERODO | FDB1324 |
| FIAT | 71752988 | FIAT | 71772212 | FIAT | 77362270 |
| FIAT | 77363445 | FIAT | 77364024 | FIAT | 77364961 |
| FIAT | 9948417 | FIAT | 9949335 | GIRLING | 6113841 |
| ICER | 181501 | JAPKO | 510013 | JURATEK | JCP1324 |

Notes:

Manufacturers details are for guidance only. For pricing enquiries please contact our sales team on 01582 578 888

Comline Auto Parts Limited

Unit B1, Luton Enterprise Park, Sundon Road, Luton, Bedfordshire LU3 3GU

Tel: 01582 578 888 International Tel: +44 1582 578 888 Fax: 01582 578 889 International Fax: +44 1582 578 889

Email: sales@comline.uk.com Web: www.comline.uk.com



AUTO PARTS

Product Bulletin

ADB01026 - Brake pad set, disc brake

Cross References

| | | | | | |
|-------------------------|---------------------|-------------------|----------------|----------------|--------------|
| ICER | 181501 | JAPKO | 510013 | JURATEK | JCP1324 |
| JURID | 573019J | KAMOKA | NIR-13-02-2018 | KAWE | 0727 00 |
| KRAFT AUTOMOTIVE | 6011551 | LPR | 05P1265 | LPR | 05P872 |
| MASTER-SPORT | 13046028792N-SET-MS | METELLI | 22-0324-0 | MEYLE | 025 232 8414 |
| MEYLE | 025 236 0113 | MEYLE | MBP0312 | MINTEX | MDB2042 |
| MOTAQUIP | LVXL995 | NATIONAL | NP2676 | NK | 222386 |
| OPEN PARTS | BPA0727.00 | OPTIMAL | 10390 | PAGID | T1260 |
| PEX | 7.641 | QH | BP1221 | RAICAM | RA.0609.0 |
| REMSA | 0727.00 | ROADHOUSE | 2727.00 | SAMKO | 5SP872 |
| SWAG | 70 91 6370 | TEXTAR | 2360102 | TRISCAN | 8110 15038 |
| TRUSTING | 333.0 | TRW | GDB1384 | VALEO | 598425 |
| VILLAR | 626.0872 | WAGNER | WBP23601A | WOKING | P6273.00 |
| WVA | 23601 | ZIMMERMANN | 23661.140.1 | Ztec | BP23661.0 |

Notes:

Manufacturers details are for guidance only. For pricing enquiries please contact our sales team on 01582 578 888

Comline Auto Parts Limited

Unit B1, Luton Enterprise Park, Sundon Road, Luton, Bedfordshire LU3 3GU

Tel: 01582 578 888 International Tel: +44 1582 578 888 Fax: 01582 578 889 International Fax: +44 1582 578 889

Email: sales@comline.uk.com **Web:** www.comline.uk.com



AUTO PARTS

Product Bulletin

ADB01026 - Brake pad set, disc brake

Buyers Guide

| Make/Model | Litre | CC | Engine | HP | Model Year | Fitted Period |
|----------------------------------|-------|------|--------|-----|-------------------|---------------|
| ABARTH 500 / 595 / 695 (312_) | 1.4 | 1368 | Petrol | 135 | 8/2008 > | |
| ABARTH 500 / 595 / 695 (312_) | 1.4 | 1368 | Petrol | 189 | 6/2015 > | |
| ABARTH 500 / 595 / 695 (312_) | 1.4 | 1368 | Petrol | 140 | 5/2010 > | |
| ABARTH 500C / 595C / 695C (312_) | 1.4 | 1368 | Petrol | 140 | 9/2009 > | |
| ABARTH 500C / 595C / 695C (312_) | 1.4 | 1368 | Petrol | 135 | 5/2008 > | |
| FIAT 500 (312_) | 1.3 | 1248 | Diesel | 75 | 10/2007 > | |
| FIAT 500 (312_) | 1.4 | 1368 | Petrol | 100 | 10/2007 > | 2/2008 > |
| FIAT 500 (312_) | 1.4 | 1368 | Petrol | 102 | 9/2008 > | |
| FIAT 500 (312_) | 1.3 | 1248 | Diesel | 95 | 12/2009 > | |
| FIAT 500 C (312_) | 1.4 | 1368 | Petrol | 102 | 9/2011 > | |
| FIAT 500 C (312_) | 1.3 | 1248 | Diesel | 95 | 9/2009 > | |
| FIAT 500 C (312_) | 1.4 | 1368 | Petrol | 100 | 9/2009 > | |
| FIAT DOBLO MPV (119_, 223_) | 1.9 | 1910 | Diesel | 120 | 10/2005 > | |
| FIAT IDEA (350_) | 1.6 | 1598 | Diesel | 120 | 5/2008 > | |
| FIAT PANDA (169_) | 1.4 | 1368 | Petrol | 100 | 10/2006 > | |
| FIAT PANDA (169_) | 1.2 | 1242 | Petrol | 60 | 10/2004 > | 2/2005 > |
| FIAT PANDA (169_) | 1.3 | 1248 | Diesel | 70 | 10/2004 > | |
| FIAT PANDA (169_) | 1.3 | 1248 | Diesel | 70 | 9/2003 > | |
| FIAT PANDA (169_) | 1.2 | 1242 | Petrol | 69 | 3/2010 - 8/2013 | |
| FIAT PANDA (169_) | 1.2 | 1242 | Petrol | 69 | 11/2009 > | |
| FIAT PANDA (169_) | 1.3 | 1248 | Diesel | 75 | 9/2010 - 8/2013 | |
| FIAT PANDA (169_) | 1.4 | 1368 | Petrol | 78 | 9/2010 - 8/2013 | |
| FIAT PANDA Van (169_) | 1.3 | 1248 | Diesel | 70 | 10/2004 - 12/2006 | |
| FIAT PANDA Van (169_) | 1.3 | 1248 | Diesel | 75 | 1/2006 > | |
| FIAT PANDA Van (169_) | 1.2 | 1242 | Petrol | 69 | 9/2010 > | |
| FIAT PANDA Van (169_) | 1.4 | 1368 | Petrol | 78 | 10/2009 > | |

Notes:

Manufacturers details are for guidance only. For pricing enquiries please contact our sales team on 01582 578 888

Comline Auto Parts Limited

Unit B1, Luton Enterprise Park, Sundon Road, Luton, Bedfordshire LU3 3GU

Tel: 01582 578 888 International Tel: +44 1582 578 888 Fax: 01582 578 889 International Fax: +44 1582 578 889

Email: sales@comline.uk.com **Web:** www.comline.uk.com



AUTO PARTS

Product Bulletin

ADB01026 - Brake pad set, disc brake

Buyers Guide

| Make/Model | Litre | CC | Engine | HP | Model Year | Fitted Period |
|-----------------------|-------|------|--------|-----|-------------------|---------------|
| FIAT PANDA Van (169_) | 1.3 | 1248 | Diesel | 70 | 3/2004 > | |
| FIAT PANDA Van (169_) | 1.2 | 1242 | Petrol | 60 | 9/2004 > | |
| FIAT PUNTO (188_) | 1.8 | 1747 | Petrol | 130 | 9/1999 - 3/2012 | |
| FIAT PUNTO (188_) | 1.9 | 1910 | Diesel | 101 | 6/2003 - 3/2012 | > 1/2006 |
| LANCIA MUSA (350_) | 1.6 | 1598 | Diesel | 116 | 7/2008 - 9/2012 | |
| LANCIA MUSA (350_) | 1.3 | 1248 | Diesel | 95 | 3/2009 - 9/2012 | |
| LANCIA MUSA (350_) | 1.6 | 1598 | Diesel | 120 | 7/2008 - 9/2012 | |
| LANCIA YPSILON (843_) | 1.3 | 1248 | Diesel | 75 | 9/2006 - 12/2011 | |
| LANCIA YPSILON (843_) | 1.4 | 1368 | Petrol | 78 | 2/2006 - 12/2011 | |
| LANCIA YPSILON (843_) | 1.3 | 1248 | Diesel | 70 | 10/2003 - 12/2011 | |
| LANCIA YPSILON (843_) | 1.4 | 1368 | Petrol | 95 | 10/2003 - 12/2011 | |
| LANCIA YPSILON (843_) | 1.2 | 1242 | Petrol | 80 | 10/2003 - 12/2011 | |
| LANCIA YPSILON (843_) | 1.2 | 1242 | Petrol | 60 | 10/2003 - 12/2011 | |
| LANCIA YPSILON (843_) | 1.4 | 1368 | Petrol | 78 | 11/2010 - 12/2011 | |
| LANCIA YPSILON (843_) | 1.2 | 1242 | Petrol | 69 | 8/2010 - 12/2011 | |
| LANCIA YPSILON (843_) | 1.3 | 1248 | Diesel | 105 | 5/2007 - 12/2011 | |
| LANCIA YPSILON (843_) | 1.3 | 1248 | Diesel | 90 | 9/2006 - 12/2011 | |

Notes:

Manufacturers details are for guidance only. For pricing enquiries please contact our sales team on 01582 578 888

Comline Auto Parts Limited

Unit B1, Luton Enterprise Park, Sundon Road, Luton, Bedfordshire LU3 3GU

Tel: 01582 578 888 International Tel: +44 1582 578 888 Fax: 01582 578 889 International Fax: +44 1582 578 889

Email: sales@comline.uk.com **Web:** www.comline.uk.com