



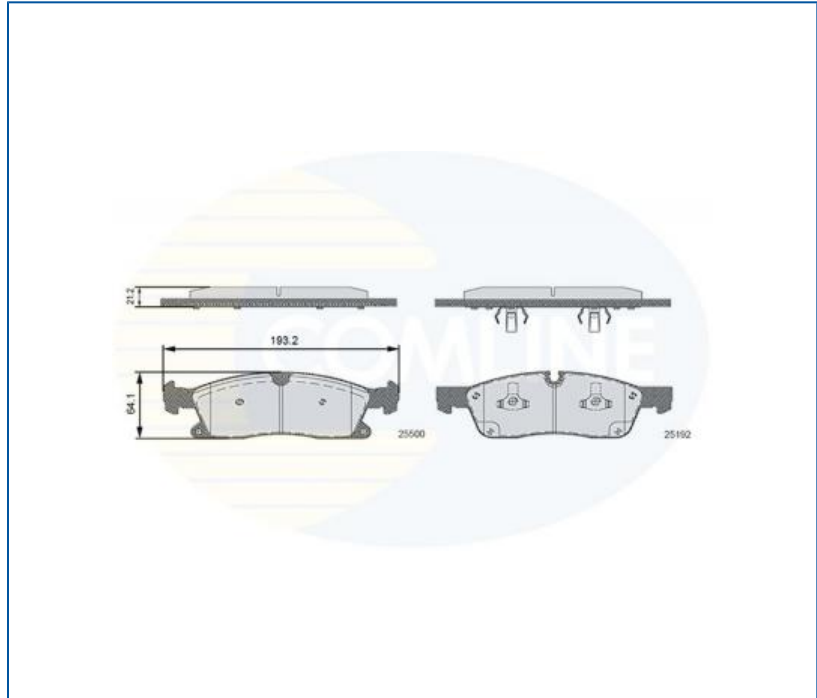
AUTO PARTS

Product Bulletin

CBP36133 - Brake pad set, disc brake

Vehicles

MERCEDES-BENZ,



Technical Info

Brake System_P	ATE
Fitting Position	Front Axle
Length (mm)	193.2
Part Info	Prepared for wear indicator
Thickness (mm)	21.2
Width (mm)	64.1

Cross References

A.B.S.	37878	ABE	C1Y042ABE	AKEBONO	AN-4794WK
AKEBONO	AN-4794WKE	APEC	PAD1924	ASHIKA	NIR - 11-12-2017
ATE	13.0470-7282.2	BLUE PRINT	NIR - 18-10-2017	BORG & BECK	BBP2491
BOSCH	0 986 494 672	BRAXIS	AA0308	BRECK	25190 00 551 00
BREMBO	P50109	BREMSI	BP3460	CIFAM	822-927-4
DELPHI	LP2298	DENCKERMANN	B111281	E.T.F.	12-1460
EUROBRAKE	5502229330	FEBI	16900	FERODO	FDB4403
FREMAX	FBP-1850	FRI.TECH.	942.4	FTE	BL2646A1
GALFER	B1.G120-1043.2	GIRLING	6119462	ICER	181988
JAPKO	NIR-30-01-2018	JURATEK	NIR-08-02-2018	JURID	573459J

Notes:

Manufacturers details are for guidance only. For pricing enquiries please contact our sales team on 01582 578 888

Comline Auto Parts Limited

Unit B1, Luton Enterprise Park, Sundon Road, Luton, Bedfordshire LU3 3GU

Tel: 01582 578 888 International Tel: +44 1582 578 888 Fax: 01582 578 889 International Fax: +44 1582 578 889

Email: sales@comline.uk.com **Web:** www.comline.uk.com



AUTO PARTS

Product Bulletin

CBP36133 - Brake pad set, disc brake

Cross References

JAPKO	NIR-30-01-2018	JURATEK	NIR-08-02-2018	JURID	573459J
KAMOKA	NIR-13-02-2018	KAWE	1430 10	LPR	05P1735
MALO	1050949	MALO	1051074	MASTER-SPORT	NIR - 17-11-2017
MERCEDES BENZ	0064203820	MERCEDES BENZ	A0064203820	METELLI	22-0927-4
METZGER	1170785	MEYLE	025 251 9021	MEYLE	025 251 9021/PD
MINTEX	MDB3239	NK	229330	OPEN PARTS	BPA1430.10
OPTIMAL	NIR-14-03-2018	PAGID	T2146	PROTECHNIC	PRP1598
PROTECHNIC	PRP1598-3M	R BRAKE	RB1988	RAICAM	RA.1058.2
REMSA	1430.10	ROADHOUSE	21430.10	SBS	1501229330
SWAG	10 91 6900	TEXTAR	2519202	TOPRAN	409 499
TRISCAN	8110 23074	TRUCKTEC	02.35.436	TRUSTING	942.4
TRW	GDB1946	VAICO	V30-2136	VILLAR	626.1735
WOKING	P15303.10	WVA	25192	WVA	25500
ZIMMERMANN	25192.190.1				

Notes:

Manufacturers details are for guidance only. For pricing enquiries please contact our sales team on 01582 578 888

Comline Auto Parts Limited

Unit B1, Luton Enterprise Park, Sundon Road, Luton, Bedfordshire LU3 3GU

Tel: 01582 578 888 International Tel: +44 1582 578 888 Fax: 01582 578 889 International Fax: +44 1582 578 889

Email: sales@comline.uk.com **Web:** www.comline.uk.com



AUTO PARTS

Product Bulletin

CBP36133 - Brake pad set, disc brake

Buyers Guide

Make/Model	Litre	CC	Engine	HP	Model Year	Fitted Period
MERCEDES-BENZ GL-CLASS (X166)	3.0	2987	Diesel	258	7/2012 >	
MERCEDES-BENZ GLE (W166)	3.0	2987	Diesel	258	4/2015 >	
MERCEDES-BENZ GLE (W166)	2.1	2143	Diesel	204	4/2015 >	
MERCEDES-BENZ GLE (W166)	2.1	2143	Diesel	204	4/2015 >	
MERCEDES-BENZ GLE (W166)	3.0	2996	Petrol	333	4/2015 >	
MERCEDES-BENZ GLE Coupe (C292)	3.0	2996	Petrol	333	3/2015 >	
MERCEDES-BENZ GLE Coupe (C292)	3.0	2987	Diesel	258	3/2015 >	
MERCEDES-BENZ GLS (X166)	3.0	2987	Diesel	258	11/2015 >	
MERCEDES-BENZ M-CLASS (W166)	3.0	2996	Petrol	333	8/2013 - 2/2015	
MERCEDES-BENZ M-CLASS (W166)	3.5	3498	Petrol	306	6/2011 - 12/2015	
MERCEDES-BENZ M-CLASS (W166)	3.0	2987	Diesel	258	6/2011 - 2/2015	
MERCEDES-BENZ M-CLASS (W166)	2.1	2143	Diesel	204	6/2011 - 12/2015	

Notes:

Manufacturers details are for guidance only. For pricing enquiries please contact our sales team on 01582 578 888

Comline Auto Parts Limited

Unit B1, Luton Enterprise Park, Sundon Road, Luton, Bedfordshire LU3 3GU

Tel: 01582 578 888 International Tel: +44 1582 578 888 Fax: 01582 578 889 International Fax: +44 1582 578 889

Email: sales@comline.uk.com **Web:** www.comline.uk.com