



**AUTO PARTS**

# Product Bulletin

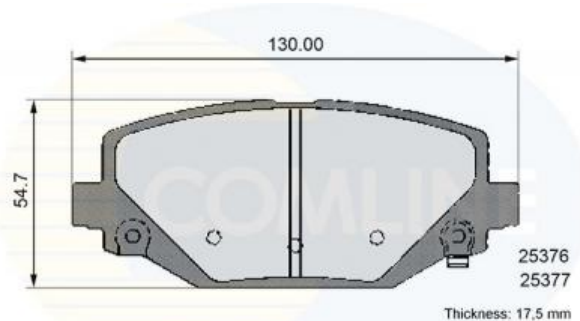
## CBP36102 - Brake pad set, disc brake

### Vehicles

CHRYSLER, DODGE, FIAT, LANCIA, VW,

### Technical Info

Brake System_P	Lucas
Fitting Position	Rear Axle
Length (mm)	130
Part Info	With acoustic wear warning
Thickness (mm)	17.5
Width (mm)	54.7



### Cross References

<b>A.B.S.</b>	37924	<b>ABE</b>	C2Y027ABE	<b>ACDELCO</b>	AC0581747D
<b>ALANKO</b>	301210	<b>APEC</b>	PAD1879	<b>ASHIKA</b>	51-09-908
<b>ATE</b>	NIR - 14-11-2017	<b>BENDIX</b>	573412B	<b>BLUE PRINT</b>	ADA104271
<b>BORG &amp; BECK</b>	BBP2341	<b>BREMBO</b>	P11032	<b>CHRYSLER</b>	68144209AA
<b>DELPHI</b>	LP2499	<b>E.T.F.</b>	12-1544	<b>FEBI</b>	116111
<b>FERODO</b>	FDB4778	<b>FRI.TECH.</b>	963.0	<b>GIRLING</b>	6119369
<b>ICER</b>	182053	<b>JAPANPARTS</b>	PP-908AF	<b>JAPKO</b>	51908
<b>JURATEK</b>	NIR-08-02-2018	<b>KAMOKA</b>	NIR-13-02-2018	<b>KAWE</b>	1483 04
<b>KAWE</b>	148304	<b>LANCIA</b>	K68144209AA	<b>LPR</b>	05P1747
<b>MASTER-SPORT</b>	NIR - 17-11-2017	<b>METELLI</b>	22-0947-0	<b>MINTEX</b>	MDB3271

### Notes:

Manufacturers details are for guidance only. For pricing enquiries please contact our sales team on 01582 578 888

### Comline Auto Parts Limited

Unit B1, Luton Enterprise Park, Sundon Road, Luton, Bedfordshire LU3 3GU

Tel: 01582 578 888 International Tel: +44 1582 578 888 Fax: 01582 578 889 International Fax: +44 1582 578 889

**Email:** [sales@comline.uk.com](mailto:sales@comline.uk.com) **Web:** [www.comline.uk.com](http://www.comline.uk.com)



**AUTO PARTS**

# Product Bulletin

## CBP36102 - Brake pad set, disc brake

### Cross References

<b>MASTER-SPORT</b>	NIR - 17-11-2017	<b>METELLI</b>	22-0947-0	<b>MINTEX</b>	MDB3271
<b>NK</b>	229332	<b>OPEN PARTS</b>	BPA1483.04	<b>OPTIMAL</b>	12608
<b>PAGID</b>	T3145	<b>REMSA</b>	1483.04	<b>ROADHOUSE</b>	21483.04
<b>SAMKO</b>	5SP1747	<b>SBS</b>	1501229332	<b>SWAG</b>	72 11 6111
<b>SWAG</b>	72116111	<b>TEXTAR</b>	2537601	<b>TRUSTING</b>	963.0
<b>TRW</b>	GDB1936	<b>WOKING</b>	P15833.04	<b>WVA</b>	25376
<b>ZIMMERMANN</b>	NIR 25-10-17				

### Notes:

Manufacturers details are for guidance only. For pricing enquiries please contact our sales team on 01582 578 888

### Comline Auto Parts Limited

Unit B1, Luton Enterprise Park, Sundon Road, Luton, Bedfordshire LU3 3GU

Tel: 01582 578 888 International Tel: +44 1582 578 888 Fax: 01582 578 889 International Fax: +44 1582 578 889

**Email:** [sales@comline.uk.com](mailto:sales@comline.uk.com) **Web:** [www.comline.uk.com](http://www.comline.uk.com)



**AUTO PARTS**

# Product Bulletin

## CBP36102 - Brake pad set, disc brake

### Buyers Guide

Make/Model	Litre	CC	Engine	HP	Model Year	Fitted Period
CHRYSLER GRAND VOYAGER V (RT)	3.3	3301	Petrol	170	1/2008 >	1/2012 >
CHRYSLER GRAND VOYAGER V (RT)	3.6	3604	Petrol	283	2/2011 >	
CHRYSLER GRAND VOYAGER V (RT)	2.8	2777	Diesel	180	9/2012 >	
CHRYSLER GRAND VOYAGER V (RT)	3.8	3778	Petrol	201	10/2007 >	1/2012 >
CHRYSLER GRAND VOYAGER V (RT)	3.6	3604	Petrol	287	2/2011 >	
CHRYSLER GRAND VOYAGER V (RT)	3.8	3778	Petrol	193	10/2007 >	1/2012 >
CHRYSLER GRAND VOYAGER V (RT)	2.8	2768	Diesel	163	10/2007 >	1/2012 >
CHRYSLER GRAND VOYAGER V (RT)	2.8	2777	Diesel	163	10/2007 >	1/2012 >
DODGE CARAVAN	3.8	3778	Petrol	193	1/2008 >	1/2012 >
DODGE CARAVAN	3.3	3301	Petrol	178	1/2008 >	1/2012 >
DODGE CARAVAN	3.6	3605	Petrol	283	1/2012 >	
DODGE CARAVAN	4.0	3952	Petrol	257	1/2009 >	1/2012 >
DODGE CARAVAN	2.8	2777	Diesel	163	1/2009 >	1/2012 >
DODGE GRAND CARAVAN	3.3	3301	Petrol	173	6/2007 >	1/2012 >
FIAT FREEMONT (345_)	2.4	2360	Petrol	170	8/2011 >	
FIAT FREEMONT (345_)	3.6	3604	Petrol	280	8/2011 >	
FIAT FREEMONT (345_)	2.0	1956	Diesel	163	8/2011 >	
FIAT FREEMONT (345_)	2.0	1956	Diesel	136	8/2011 >	
FIAT FREEMONT (345_)	2.0	1956	Diesel	163	8/2011 >	
FIAT FREEMONT (345_)	2.0	1956	Diesel	170	8/2011 >	
FIAT FREEMONT (345_)	2.0	1956	Diesel	170	8/2011 >	
FIAT FREEMONT (345_)	2.0	1956	Diesel	140	8/2011 >	
FIAT FREEMONT (345_)	3.6	3604	Petrol	280	8/2011 >	
LANCIA VOYAGER MPV (404_)	2.8	2776	Diesel	177	8/2013 - 12/2014	
LANCIA VOYAGER MPV (404_)	2.8	2776	Diesel	178	7/2012 - 12/2014	
LANCIA VOYAGER MPV (404_)	3.6	3604	Petrol	276	9/2011 - 12/2014	

#### Notes:

Manufacturers details are for guidance only. For pricing enquiries please contact our sales team on 01582 578 888

#### Comline Auto Parts Limited

Unit B1, Luton Enterprise Park, Sundon Road, Luton, Bedfordshire LU3 3GU

Tel: 01582 578 888 International Tel: +44 1582 578 888 Fax: 01582 578 889 International Fax: +44 1582 578 889

**Email:** [sales@comline.uk.com](mailto:sales@comline.uk.com) **Web:** [www.comline.uk.com](http://www.comline.uk.com)



**AUTO PARTS**

# Product Bulletin

## CBP36102 - Brake pad set, disc brake

### Buyers Guide

Make/Model	Litre	CC	Engine	HP	Model Year	Fitted Period
LANCIA VOYAGER MPV (404_)	2.8	2776	Diesel	163	9/2011 - 12/2014	
LANCIA VOYAGER MPV (404_)	3.6	3604	Petrol	283	9/2011 - 12/2014	
VW ROUTAN	3.6	3604	Petrol	283	1/2011 - 12/2013	
VW ROUTAN	3.6	3604	Petrol	267	12/2010 - 12/2013	

#### Notes:

Manufacturers details are for guidance only. For pricing enquiries please contact our sales team on 01582 578 888

#### Comline Auto Parts Limited

Unit B1, Luton Enterprise Park, Sundon Road, Luton, Bedfordshire LU3 3GU

Tel: 01582 578 888 International Tel: +44 1582 578 888 Fax: 01582 578 889 International Fax: +44 1582 578 889

**Email:** [sales@comline.uk.com](mailto:sales@comline.uk.com) **Web:** [www.comline.uk.com](http://www.comline.uk.com)