



AUTO PARTS

Product Bulletin

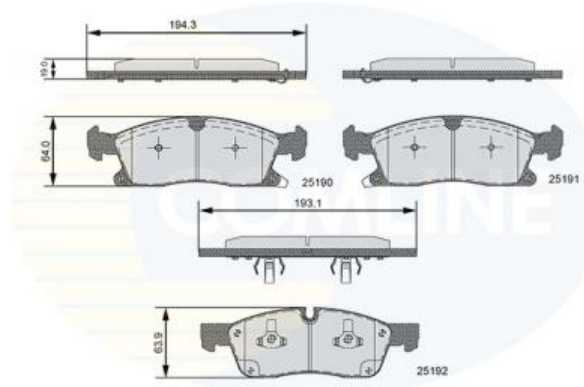
CBP36096 - Brake pad set, disc brake

Vehicles

DODGE, JEEP,

Technical Info

Brake System_P	Teves
Fitting Position	Front Axle
Part Info	With acoustic wear warning
Thickness (mm)	19
Width 2 (mm)	64



Cross References

A.B.S.	37878	APEC	PAD1770	BLUE PRINT	ADA104269
BORG & BECK	BBP2272	BREMBO	P37017	DELPHI	LP2275
FEBI	NIR-11-01-2018	FERODO	FDB4403	ICER	181988
JAPANPARTS	PA-915AF	JAPKO	50915	JEEP	68052369AA
JURATEK	NIR-08-02-2018	LPR	05P1745	LPR	05P1749
MASTER-SPORT	NIR - 17-11-2017	MINTEX	MDB3154	MINTEX	MDB3203
REMSA	1430.02	ROADHOUSE	21430.02	TEXTAR	2519002
TRISCAN	8110 80556	TRISCAN	811080556	TRW	GDB2130
WVA	25190	ZIMMERMANN	25192.190.1		

Notes:

Manufacturers details are for guidance only. For pricing enquiries please contact our sales team on 01582 578 888

Comline Auto Parts Limited

Unit B1, Luton Enterprise Park, Sundon Road, Luton, Bedfordshire LU3 3GU

Tel: 01582 578 888 International Tel: +44 1582 578 888 Fax: 01582 578 889 International Fax: +44 1582 578 889

Email: sales@comline.uk.com **Web:** www.comline.uk.com



AUTO PARTS

Product Bulletin

CBP36096 - Brake pad set, disc brake

Buyers Guide

Make/Model	Litre	CC	Engine	HP	Model Year	Fitted Period
DODGE DURANGO (WD)	3.6	3604	Petrol	294	1/2011 >	
DODGE DURANGO (WD)	5.7	5654	Petrol	364	1/2011 >	
DODGE DURANGO (WD)	5.7	5654	Petrol	364	1/2011 >	
DODGE DURANGO (WD)	3.6	3604	Petrol	294	1/2011 >	
JEEP GRAND CHEROKEE IV (WK, WK2)	3.0	2985	Petrol	238	9/2014 >	
JEEP GRAND CHEROKEE IV (WK, WK2)	3.0	2987	Diesel	243	9/2013 >	
JEEP GRAND CHEROKEE IV (WK, WK2)	3.0	2987	Diesel	250	7/2013 >	
JEEP GRAND CHEROKEE IV (WK, WK2)	3.6	3604	Petrol	286	11/2010 >	
JEEP GRAND CHEROKEE IV (WK, WK2)	3.6	3604	Petrol	286	11/2010 >	
JEEP GRAND CHEROKEE IV (WK, WK2)	6.4	6417	Petrol	468	3/2011 >	
JEEP GRAND CHEROKEE IV (WK, WK2)	3.0	2987	Diesel	241	2/2011 >	
JEEP GRAND CHEROKEE IV (WK, WK2)	3.0	2987	Diesel	190	2/2011 >	
JEEP GRAND CHEROKEE IV (WK, WK2)	5.7	5654	Petrol	352	11/2010 >	
JEEP GRAND CHEROKEE IV (WK, WK2)	3.6	3604	Petrol	281	11/2010 >	

Notes:

Manufacturers details are for guidance only. For pricing enquiries please contact our sales team on 01582 578 888

Comline Auto Parts Limited

Unit B1, Luton Enterprise Park, Sundon Road, Luton, Bedfordshire LU3 3GU

Tel: 01582 578 888 International Tel: +44 1582 578 888 Fax: 01582 578 889 International Fax: +44 1582 578 889

Email: sales@comline.uk.com **Web:** www.comline.uk.com