



AUTO PARTS

Product Bulletin

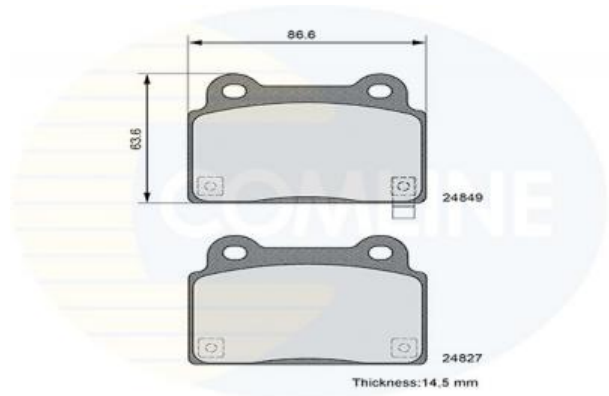
CBP36090 - Brake pad set, disc brake

Vehicles

mitsubishi,

Technical Info

Brake System_P	Brembo
Fitting Position	Rear Axle
Height (mm)	63.6
Length (mm)	86.6
Part Info	With acoustic wear warning
Thickness (mm)	14.5



Cross References

A.B.S.	37727	APEC	PAD1676	ASHIKA	51-05-512
ATE	NIR - 14-11-2017	BLUE PRINT	ADC44276	BORG & BECK	BBP2257
BREMBO	P54052	DELPHI	LP2177	FEBI	NIR-11-01-2018
GIRLING	6134889	ICER	182095	JAPKO	NIR-30-01-2018
JURATEK	NIR-08-02-2018	KAMOKA	NIR-13-02-2018	LPR	05P1565
MASTER-SPORT	NIR - 17-11-2017	METELLI	22-0826-0	MINTEX	MDB3039
MITSUBISHI	4605A584	OPTIMAL	NIR-14-03-2018	REMSA	1364.02
ROADHOUSE	21364.02	TEXTAR	2482701	TRW	GDB3488
ZIMMERMANN	24827.140.1				

Notes:

Manufacturers details are for guidance only. For pricing enquiries please contact our sales team on 01582 578 888

Comline Auto Parts Limited

Unit B1, Luton Enterprise Park, Sundon Road, Luton, Bedfordshire LU3 3GU

Tel: 01582 578 888 International Tel: +44 1582 578 888 Fax: 01582 578 889 International Fax: +44 1582 578 889

Email: sales@comline.uk.com Web: www.comline.uk.com



AUTO PARTS

Product Bulletin

CBP36090 - Brake pad set, disc brake

Buyers Guide

Make/Model	Litre	CC	Engine	HP	Model Year	Fitted Period
MITSUBISHI LANCER VIII (CY_A, CZ_A)	2.0	1998	Petrol	295	6/2008 - 6/2015	
MITSUBISHI LANCER VIII (CY_A, CZ_A)	2.0	1998	Petrol	329	3/2008 - 6/2015	
MITSUBISHI LANCER VIII (CY_A, CZ_A)	2.0	1998	Petrol	359	3/2008 - 6/2015	
MITSUBISHI LANCER VIII (CY_A, CZ_A)	2.0	1998	Petrol	301	6/2008 - 3/2015	
MITSUBISHI LANCER VIII (CY_A, CZ_A)	2.0	1998	Petrol	280	10/2007 - 10/2008	
MITSUBISHI LANCER VIII (CY_A, CZ_A)	2.0	1998	Petrol	408	5/2009 - 12/2010	

Notes:

Manufacturers details are for guidance only. For pricing enquiries please contact our sales team on 01582 578 888

Comline Auto Parts Limited

Unit B1, Luton Enterprise Park, Sundon Road, Luton, Bedfordshire LU3 3GU

Tel: 01582 578 888 International Tel: +44 1582 578 888 Fax: 01582 578 889 International Fax: +44 1582 578 889

Email: sales@comline.uk.com **Web:** www.comline.uk.com