



AUTO PARTS

Product Bulletin

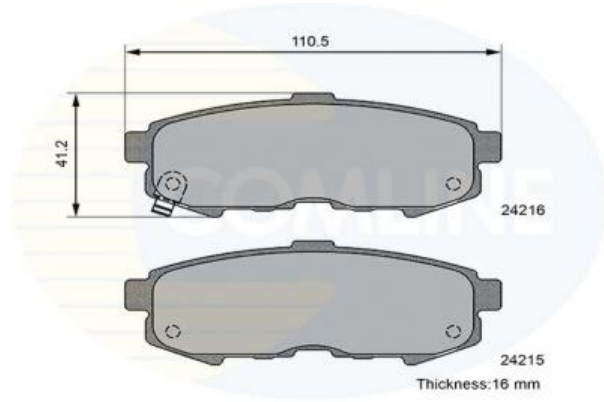
CBP36088 - Brake pad set, disc brake

Vehicles

MAZDA,

Technical Info

Brake System_P	Sumitomo
Fitting Position	Front Axle
Length (mm)	110.5
Part Info	With acoustic wear warning
Thickness (mm)	16
Width (mm)	41.2



Cross References

A.B.S.	37569	A.B.S.	38981	APEC	PAD1603
BLUE PRINT	ADM54292	BORG & BECK	BBP1955	BOSCH	0 986 494 319
BREMBO	P49042	DELPHI	LP1978	FEBI	NIR-11-01-2018
FRI.TECH.	751.0	GIRLING	6134069	GIRLING	6141395
ICER	181742	JAPKO	51316	JURATEK	JCP1757
KAMOKA	NIR-13-02-2018	LPR	05P1503	MASTER-SPORT	NIR - 17-11-2017
MAZDA	LEY42643Z	METELLI	22-0735-0	MINTEX	MDB2666
OPTIMAL	12421	QH	BP1610	REMSA	NIR - 02-11-2017
ROADHOUSE	NIR - 02-11-2017	SAMKO	5SP1503	TEXTAR	2421501
TEXTAR	2435501	TRW	GDB3406	WVA	24215

Notes:

Manufacturers details are for guidance only. For pricing enquiries please contact our sales team on 01582 578 888

Comline Auto Parts Limited

Unit B1, Luton Enterprise Park, Sundon Road, Luton, Bedfordshire LU3 3GU

Tel: 01582 578 888 International Tel: +44 1582 578 888 Fax: 01582 578 889 International Fax: +44 1582 578 889

Email: sales@comline.uk.com **Web:** www.comline.uk.com



AUTO PARTS

Product Bulletin

CBP36088 - Brake pad set, disc brake

Cross References

TEXTAR	2435501	TRW	GDB3406	WVA	24215
ZIMMERMANN	NIR 25-10-17				

Notes:

Manufacturers details are for guidance only. For pricing enquiries please contact our sales team on 01582 578 888

Comline Auto Parts Limited

Unit B1, Luton Enterprise Park, Sundon Road, Luton, Bedfordshire LU3 3GU

Tel: 01582 578 888 International Tel: +44 1582 578 888 Fax: 01582 578 889 International Fax: +44 1582 578 889

Email: sales@comline.uk.com **Web:** www.comline.uk.com



AUTO PARTS

Product Bulletin

CBP36088 - Brake pad set, disc brake

Buyers Guide

Make/Model	Litre	CC	Engine	HP	Model Year	Fitted Period
MAZDA MPV Mk II (LW)	2.0	1998	Diesel	136	7/2002 - 2/2006	
MAZDA MPV Mk II (LW)	2.3	2261	Petrol	141	7/2002 - 2/2006	
MAZDA MPV Mk II (LW)	3.0	2967	Petrol	200	3/2002 - 2/2006	

Notes:

Manufacturers details are for guidance only. For pricing enquiries please contact our sales team on 01582 578 888

Comline Auto Parts Limited

Unit B1, Luton Enterprise Park, Sundon Road, Luton, Bedfordshire LU3 3GU

Tel: 01582 578 888 International Tel: +44 1582 578 888 Fax: 01582 578 889 International Fax: +44 1582 578 889

Email: sales@comline.uk.com **Web:** www.comline.uk.com