



AUTO PARTS

Product Bulletin

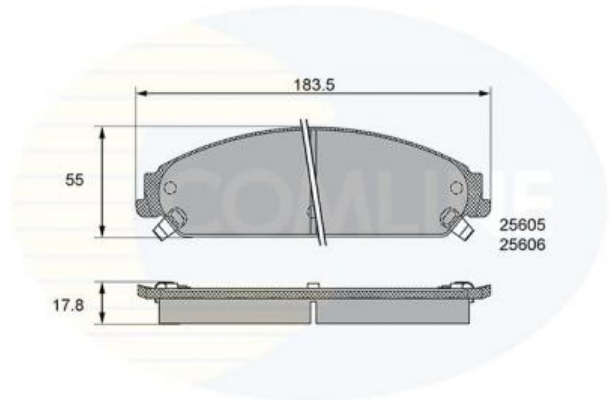
CBP36086 - Brake pad set, disc brake

Vehicles

CHRYSLER, DODGE, LANCIA,

Technical Info

Brake System_P	Bosch
Fitting Position	Front Axle
Length (mm)	183.5
Notes	Suspension: For Vehicle with Standard chasis
Part Info	With acoustic wear warning
Thickness (mm)	17.8
Width (mm)	55



Cross References

A.B.S.	37511	APEC	PAD1557	ATE	NIR - 14-11-2017
BLUE PRINT	NIR - 18-10-2017	BORG & BECK	BBP2156	BOSCH	0 986 494 483
BREMBO	P11017	CHRYSLER	05142559AA	DELPHI	LP2033
FEBI	NIR-11-01-2018	GIRLING	6141349	ICER	182068
JAPKO	50911	JURATEK	NIR-08-02-2018	KAMOKA	NIR-13-02-2018
LPR	05P1401	MASTER-SPORT	NIR - 17-11-2017	METELLI	22-0717-0
MINTEX	MDB2696	MINTEX	MDB3304	MOTAQUIP	LVXL1630
OPTIMAL	12578	REMSA	1128.08	ROADHOUSE	21128.08
SAMKO	5SP1401	SCT	21128.08	SCT	SP 694
TEXTAR	2416401	TRISCAN	8110 80540	WVA	24164

Notes:

Manufacturers details are for guidance only. For pricing enquiries please contact our sales team on 01582 578 888

Comline Auto Parts Limited

Unit B1, Luton Enterprise Park, Sundon Road, Luton, Bedfordshire LU3 3GU

Tel: 01582 578 888 International Tel: +44 1582 578 888 Fax: 01582 578 889 International Fax: +44 1582 578 889

Email: sales@comline.uk.com Web: www.comline.uk.com



COMLINE

AUTO PARTS

Product Bulletin

CBP36086 - Brake pad set, disc brake

Cross References

TEXTAR	2416401	TRISCAN	8110 80540	WVA	24164
ZIMMERMANN	NIR 25-10-17				

Notes:

Manufacturers details are for guidance only. For pricing enquiries please contact our sales team on 01582 578 888

Comline Auto Parts Limited

Unit B1, Luton Enterprise Park, Sundon Road, Luton, Bedfordshire LU3 3GU

Tel: 01582 578 888 International Tel: +44 1582 578 888 Fax: 01582 578 889 International Fax: +44 1582 578 889

Email: sales@comline.uk.com **Web:** www.comline.uk.com



AUTO PARTS

Product Bulletin

CBP36086 - Brake pad set, disc brake

Buyers Guide

Make/Model	Litre	CC	Engine	HP	Model Year	Fitted Period
CHRYSLER 300 C (LX, LE)	2.7	2736	Petrol	193	9/2004 - 11/2012	
CHRYSLER 300 C (LX, LE)	6.1	6059	Petrol	431	6/2005 - 11/2012	
CHRYSLER 300 C (LX, LE)	3.5	3518	Petrol	253	9/2004 - 12/2010	
CHRYSLER 300 C (LX, LE)	5.7	5654	Petrol	360	5/2009 - 12/2010	
CHRYSLER 300 C (LX, LE)	3.0	2987	Diesel	211	11/2010 - 11/2012	
CHRYSLER 300 C (LX, LE)	2.7	2736	Petrol	177	1/2007 - 11/2012	
CHRYSLER 300 C (LX, LE)	3.0	2987	Diesel	218	9/2005 - 11/2012	
CHRYSLER 300 C (LX, LE)	5.7	5654	Petrol	340	9/2004 - 12/2008	
CHRYSLER 300 C (LX, LE)	3.5	3518	Petrol	249	9/2004 - 11/2012	
CHRYSLER 300 C Touring (LX, LE)	6.1	6059	Petrol	431	6/2005 - 12/2010	
CHRYSLER 300 C Touring (LX, LE)	5.7	5654	Petrol	340	4/2005 - 12/2010	
CHRYSLER 300 C Touring (LX, LE)	3.5	3518	Petrol	249	9/2004 - 12/2010	
CHRYSLER 300 C Touring (LX, LE)	3.0	2987	Diesel	218	9/2005 - 12/2010	
CHRYSLER 300 C Touring (LX, LE)	5.7	5654	Petrol	340	9/2004 - 12/2010	
CHRYSLER 300 C Touring (LX, LE)	3.5	3518	Petrol	249	9/2004 - 12/2010	
CHRYSLER 300 C Touring (LX, LE)	2.7	2736	Petrol	193	9/2004 - 12/2010	
CHRYSLER 300 C Touring (LX, LE)	2.7	2736	Petrol	177	1/2007 - 12/2010	
CHRYSLER 300C	3.6	3604	Petrol	292	7/2011 >	
CHRYSLER 300C	3.0	2987	Diesel	239	9/2011 >	
CHRYSLER 300C	6.4	6417	Petrol	472	9/2011 >	
CHRYSLER 300C	3.6	3604	Petrol	286	9/2011 >	
DODGE CALIBER	2.4	2360	Petrol	303	10/2006 >	
DODGE CHALLENGER Coupe	6.4	6417	Petrol	471	8/2011 >	
DODGE CHALLENGER Coupe	3.6	3605	Petrol	309	1/2011 >	
DODGE CHALLENGER Coupe	5.7	5654	Petrol	381	1/2010 >	
DODGE CHALLENGER Coupe	5.7	5654	Petrol	377	9/2008 >	

Notes:

Manufacturers details are for guidance only. For pricing enquiries please contact our sales team on 01582 578 888

Comline Auto Parts Limited

Unit B1, Luton Enterprise Park, Sundon Road, Luton, Bedfordshire LU3 3GU

Tel: 01582 578 888 International Tel: +44 1582 578 888 Fax: 01582 578 889 International Fax: +44 1582 578 889

Email: sales@comline.uk.com **Web:** www.comline.uk.com



AUTO PARTS

Product Bulletin

CBP36086 - Brake pad set, disc brake

Buyers Guide

Make/Model	Litre	CC	Engine	HP	Model Year	Fitted Period
DODGE CHALLENGER Coupe	3.5	3518	Petrol	253	9/2008 - 12/2010	
DODGE CHALLENGER Coupe	6.4	6417	Petrol	477	1/2011 >	
DODGE CHARGER	6.4	6417	Petrol	477	9/2011 >	2/2012 >
DODGE CHARGER	5.7	5654	Petrol	345	6/2005 - 12/2008	
DODGE CHARGER	6.4	6417	Petrol	492	9/2014 >	
DODGE CHARGER	5.7	5654	Petrol	375	11/2011 >	
DODGE CHARGER	3.5	3518	Petrol	253	6/2005 - 12/2010	
DODGE CHARGER	3.6	3605	Petrol	296	9/2011 - 12/2014	
DODGE CHARGER	5.7	5654	Petrol	375	9/2011 >	
DODGE CHARGER	5.7	5654	Petrol	375	9/2011 >	
DODGE CHARGER	2.7	2736	Petrol	192	4/2006 - 12/2010	
LANCIA THEMA (LX_)	3.6	3604	Petrol	286	9/2011 >	
LANCIA THEMA (LX_)	3.0	2987	Diesel	190	9/2011 >	
LANCIA THEMA (LX_)	3.6	3604	Petrol	286	9/2011 >	
LANCIA THEMA (LX_)	3.0	2987	Diesel	239	9/2011 >	

Notes:

Manufacturers details are for guidance only. For pricing enquiries please contact our sales team on 01582 578 888

Comline Auto Parts Limited

Unit B1, Luton Enterprise Park, Sundon Road, Luton, Bedfordshire LU3 3GU

Tel: 01582 578 888 International Tel: +44 1582 578 888 Fax: 01582 578 889 International Fax: +44 1582 578 889

Email: sales@comline.uk.com **Web:** www.comline.uk.com