



AUTO PARTS

Product Bulletin

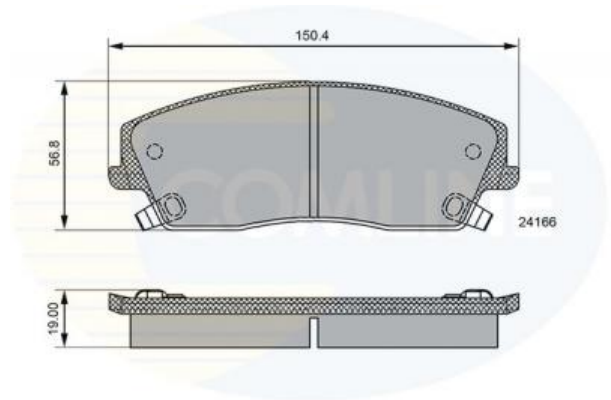
CBP36085 - Brake pad set, disc brake

Vehicles

CHRYSLER, DODGE, LANCIA

Technical Info

Brake System_P	Bosch
Fitting Position	Front Axle
Length (mm)	150.4
Part Info	With acoustic wear warning
Thickness (mm)	19
Width (mm)	56.8



Cross References

A.B.S.	37609	APEC	PAD1489	ATE	NIR - 14-11-2017
BLUE PRINT	NIR - 18-10-2017	BORG & BECK	BBP2167	BREMBO	P11019
CHRYSLER	05142555AA	DELPHI	LP2034	FEBI	116108
FERODO	FDB1954	FERODO	FSL1954	FRI.TECH.	732
FRI.TECH.	732.0	GIRLING	6141409	ICER	182067
JAPKO	50913	JURATEK	NIR-08-02-2018	KAMOKA	JQ101134
LPR	05P1399	MASTER-SPORT	NIR - 17-11-2017	METELLI	22-0716-0
MINTEX	MDB2697	MOTAQUIP	LVXL1347	OPTIMAL	12613
REMSA	1126.08	ROADHOUSE	21126.08	SCT	SP 465
TEXTAR	2416601	TRISCAN	811080541	TRW	GDB4140

Notes:

Manufacturers details are for guidance only. For pricing enquiries please contact our sales team on 01582 578 888

Comline Auto Parts Limited

Unit B1, Luton Enterprise Park, Sundon Road, Luton, Bedfordshire LU3 3GU

Tel: 01582 578 888 International Tel: +44 1582 578 888 Fax: 01582 578 889 International Fax: +44 1582 578 889

Email: sales@comline.uk.com **Web:** www.comline.uk.com



COMLINE

AUTO PARTS

Product Bulletin

CBP36085 - Brake pad set, disc brake

Cross References

TEXTAR	2416601	TRISCAN	811080541	TRW	GDB4140
WVA	24166	ZIMMERMANN	NIR 25-10-17		

Notes:

Manufacturers details are for guidance only. For pricing enquiries please contact our sales team on 01582 578 888

Comline Auto Parts Limited

Unit B1, Luton Enterprise Park, Sundon Road, Luton, Bedfordshire LU3 3GU

Tel: 01582 578 888 International Tel: +44 1582 578 888 Fax: 01582 578 889 International Fax: +44 1582 578 889

Email: sales@comline.uk.com **Web:** www.comline.uk.com



AUTO PARTS

Product Bulletin

CBP36085 - Brake pad set, disc brake

Buyers Guide

Make/Model	Litre	CC	Engine	HP	Model Year	Fitted Period
CHRYSLER 300C	3.0	2987	Diesel	239	9/2011 >	
DODGE CHALLENGER Coupe	3.5	3518	Petrol	253	9/2008 - 12/2010	
DODGE CHALLENGER Coupe	5.7	5654	Petrol	377	9/2008 >	
DODGE CHALLENGER Coupe	5.7	5654	Petrol	381	1/2010 >	
DODGE CHALLENGER Coupe	3.6	3605	Petrol	309	1/2011 >	
DODGE CHARGER	2.7	2736	Petrol	192	4/2006 - 12/2010	
DODGE CHARGER	3.5	3518	Petrol	253	6/2005 - 12/2010	
DODGE CHARGER	5.7	5654	Petrol	345	6/2005 - 12/2008	
LANCIA THEMA (LX_)	3.6	3604	Petrol	286	9/2011 >	

Notes:

Manufacturers details are for guidance only. For pricing enquiries please contact our sales team on 01582 578 888

Comline Auto Parts Limited

Unit B1, Luton Enterprise Park, Sundon Road, Luton, Bedfordshire LU3 3GU

Tel: 01582 578 888 International Tel: +44 1582 578 888 Fax: 01582 578 889 International Fax: +44 1582 578 889

Email: sales@comline.uk.com **Web:** www.comline.uk.com