



AUTO PARTS

Product Bulletin

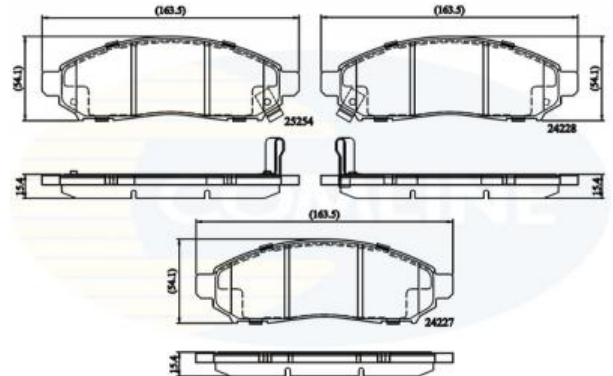
CBP32336 - Brake pad set, disc brake

Vehicles

NISSAN,

Technical Info

Brake System_P Tokico
Fitting Position Front Axle
Length (mm) 163.5
Notes Number of wear Indicators - 2
Part Info With acoustic wear warning
Thickness (mm) 15.4
Width (mm) 54.1



Cross References

NISSAN	41060ZP00A	NISSAN	D10601VA8E	NISSAN	D1060EB70A
NISSAN	D1060JR70A	NISSAN	D1060ZP00A	NISSAN	D1M60CY70B
ZIMMERMANN	24227.160.1				

Notes:

Manufacturers details are for guidance only. For pricing enquiries please contact our sales team on 01582 578 888

Comline Auto Parts Limited

Unit B1, Luton Enterprise Park, Sundon Road, Luton, Bedfordshire LU3 3GU

Tel: 01582 578 888 International Tel: +44 1582 578 888 Fax: 01582 578 889 International Fax: +44 1582 578 889

Email: sales@comline.uk.com **Web:** www.comline.uk.com



AUTO PARTS

Product Bulletin

CBP32336 - Brake pad set, disc brake

Buyers Guide

Make/Model	Litre	CC	Engine	HP	Model Year	Fitted Period
NISSAN LEAF (ZE0)	0.0	0	Electr	109	11/2010 >	
NISSAN NP300 NAVARA (D40)	2.5	2488	Diesel	144	7/2005 >	
NISSAN NP300 NAVARA (D40)	2.5	2488	Diesel	144	10/2008 >	12/2013 >
NISSAN NP300 NAVARA (D40)	2.5	2488	Diesel	174	12/2005 >	
NISSAN NP300 NAVARA (D40)	2.5	2488	Diesel	171	10/2006 >	
NISSAN NP300 NAVARA (D40)	2.5	2488	Diesel	174	7/2005 >	
NISSAN NP300 NAVARA (D40)	2.5	2488	Diesel	163	10/2006 >	
NISSAN NP300 NAVARA Platform/Chassis (D40)	2.5	2488	Diesel	144	8/2008 >	12/2013 >
NISSAN NV200 / EVALIA Bus	0.0	0	Electr	109	7/2014 >	
NISSAN NV200 Box Body / Estate	0.0	0	Electr	109	5/2014 >	

Notes:

Manufacturers details are for guidance only. For pricing enquiries please contact our sales team on 01582 578 888

Comline Auto Parts Limited

Unit B1, Luton Enterprise Park, Sundon Road, Luton, Bedfordshire LU3 3GU

Tel: 01582 578 888 International Tel: +44 1582 578 888 Fax: 01582 578 889 International Fax: +44 1582 578 889

Email: sales@comline.uk.com **Web:** www.comline.uk.com