



AUTO PARTS

Product Bulletin

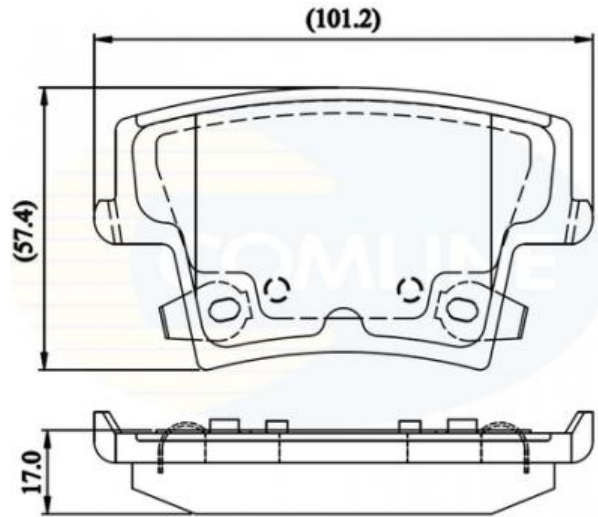
CBP32216 - Brake pad set, disc brake

Vehicles

CHRYSLER, DODGE, LANCIA,

Technical Info

| | |
|------------------|----------------------------|
| Brake System_P | Bosch |
| Fitting Position | Rear Axle |
| Length (mm) | 101.2 |
| Part Info | With acoustic wear warning |
| Thickness (mm) | 17 |
| Width (mm) | 57.4 |



Cross References

| | | | | | |
|------------------------|------------------|-------------------|------------------|-------------------|------------------|
| A.B.S. | 37512 | ABE | C2Y020ABE | APEC | PAD1485 |
| ASHIKA | 51-09-902 | ATE | NIR - 14-11-2017 | BLUE PRINT | NIR - 18-10-2017 |
| BORG & BECK | BBP2168 | BRAKE-ENGG | PA1711 | BREMBO | P11018 |
| CHRYSLER | 05139191AA | DELPHI | LP2035 | FEBI | 116109 |
| FERODO | FDB1953 | FERODO | FSL1953 | FRI.TECH. | 734 |
| FRI.TECH. | 734.0 | GIRLING | 6141359 | JAPKO | 51902 |
| JURATEK | NIR-08-02-2018 | KAMOKA | JQ101132 | LPR | 05P1400 |
| MASTER-SPORT | NIR - 17-11-2017 | METELLI | 22-0718-0 | MINTEX | MDB2695 |
| MOTAQUIP | LVXL1348 | OPTIMAL | 12569 | QH | BP1534 |
| REMSA | 1127.08 | ROADHOUSE | 21127.08 | SCT | SP 464 |

Notes:

Manufacturers details are for guidance only. For pricing enquiries please contact our sales team on 01582 578 888

Comline Auto Parts Limited

Unit B1, Luton Enterprise Park, Sundon Road, Luton, Bedfordshire LU3 3GU

Tel: 01582 578 888 International Tel: +44 1582 578 888 Fax: 01582 578 889 International Fax: +44 1582 578 889

Email: sales@comline.uk.com **Web:** www.comline.uk.com



COMLINE

AUTO PARTS

Product Bulletin

CBP32216 - Brake pad set, disc brake

Cross References

| | | | | | |
|---------------|---------|-------------------|--------------|------------|---------|
| REMSA | 1127.08 | ROADHOUSE | 21127.08 | SCT | SP 464 |
| TEXTAR | 2416301 | TRISCAN | 8110 80542 | TRW | GDB4135 |
| WVA | 24163 | ZIMMERMANN | NIR 25-10-17 | | |

Notes:

Manufacturers details are for guidance only. For pricing enquiries please contact our sales team on 01582 578 888

Comline Auto Parts Limited

Unit B1, Luton Enterprise Park, Sundon Road, Luton, Bedfordshire LU3 3GU

Tel: 01582 578 888 International Tel: +44 1582 578 888 Fax: 01582 578 889 International Fax: +44 1582 578 889

Email: sales@comline.uk.com **Web:** www.comline.uk.com



AUTO PARTS

Product Bulletin

CBP32216 - Brake pad set, disc brake

Buyers Guide

| Make/Model | Litre | CC | Engine | HP | Model Year | Fitted Period |
|---------------------------------|-------|------|--------|-----|-------------------|---------------|
| CHRYSLER 300 C (LX, LE) | 3.0 | 2987 | Diesel | 211 | 11/2010 - 11/2012 | |
| CHRYSLER 300 C Touring (LX, LE) | 5.7 | 5654 | Petrol | 340 | 4/2005 - 12/2010 | |
| CHRYSLER 300C | 3.6 | 3604 | Petrol | 292 | 7/2011 > | |
| CHRYSLER 300C | 3.0 | 2987 | Diesel | 239 | 9/2011 > | |
| CHRYSLER 300C | 6.4 | 6417 | Petrol | 472 | 9/2011 > | |
| CHRYSLER 300C | 3.6 | 3604 | Petrol | 286 | 9/2011 > | |
| DODGE CHALLENGER Coupe | 6.4 | 6417 | Petrol | 471 | 8/2011 > | |
| DODGE CHALLENGER Coupe | 6.4 | 6417 | Petrol | 477 | 1/2011 > | |
| DODGE CHALLENGER Coupe | 3.6 | 3605 | Petrol | 309 | 1/2011 > | |
| DODGE CHALLENGER Coupe | 5.7 | 5654 | Petrol | 381 | 1/2010 > | |
| DODGE CHALLENGER Coupe | 5.7 | 5654 | Petrol | 377 | 9/2008 > | |
| DODGE CHALLENGER Coupe | 3.5 | 3518 | Petrol | 253 | 9/2008 - 12/2010 | |
| DODGE CHARGER | 6.4 | 6417 | Petrol | 477 | 9/2011 > | |
| DODGE CHARGER | 3.5 | 3518 | Petrol | 253 | 6/2005 - 12/2010 | |
| DODGE CHARGER | 5.7 | 5654 | Petrol | 345 | 6/2005 - 12/2008 | |
| DODGE CHARGER | 5.7 | 5654 | Petrol | 375 | 11/2011 > | |
| DODGE CHARGER | 2.7 | 2736 | Petrol | 192 | 4/2006 - 12/2010 | |
| DODGE CHARGER | 6.4 | 6417 | Petrol | 492 | 9/2014 > | |
| DODGE CHARGER | 3.6 | 3605 | Petrol | 296 | 9/2011 - 12/2014 | |
| DODGE CHARGER | 5.7 | 5654 | Petrol | 375 | 9/2011 > | |
| DODGE CHARGER | 5.7 | 5654 | Petrol | 375 | 9/2011 > | |
| LANCIA THEMA (LX_) | 3.0 | 2987 | Diesel | 239 | 9/2011 > | |
| LANCIA THEMA (LX_) | 3.6 | 3604 | Petrol | 286 | 9/2011 > | |
| LANCIA THEMA (LX_) | 3.6 | 3604 | Petrol | 286 | 9/2011 > | |
| LANCIA THEMA (LX_) | 3.0 | 2987 | Diesel | 190 | 9/2011 > | |

Notes:

Manufacturers details are for guidance only. For pricing enquiries please contact our sales team on 01582 578 888

Comline Auto Parts Limited

Unit B1, Luton Enterprise Park, Sundon Road, Luton, Bedfordshire LU3 3GU

Tel: 01582 578 888 International Tel: +44 1582 578 888 Fax: 01582 578 889 International Fax: +44 1582 578 889

Email: sales@comline.uk.com **Web:** www.comline.uk.com