



AUTO PARTS

# Product Bulletin

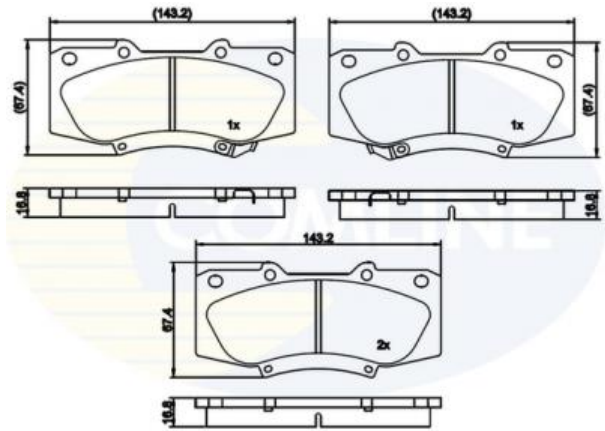
## CBP32137 - Brake pad set, disc brake

### Vehicles

TOYOTA,

### Technical Info

Brake System_P	ADVICS
Fitting Position	Front Axle
Length (mm)	143.2
Part Info	With acoustic wear warning
Thickness (mm)	16.8
Width (mm)	67.4



### Cross References

<b>A.B.S.</b>	37881	<b>ABE</b>	C12136ABE	<b>ACDELCO</b>	AC0581682D
<b>APEC</b>	PAD1840	<b>ASHIKA</b>	50-02-278	<b>ATE</b>	NIR - 14-11-2017
<b>BENDIX</b>	573435B	<b>BLUE PRINT</b>	ADT342191	<b>BORG &amp; BECK</b>	BBP2286
<b>BREMBO</b>	P83140	<b>DELPHI</b>	LP2244	<b>E.T.F.</b>	12-1549
<b>FEBI</b>	NIR-11-01-2018	<b>FERODO</b>	FDB4715	<b>FRI.TECH.</b>	953
<b>FRI.TECH.</b>	953.0	<b>GIRLING</b>	6135349	<b>HERTH+BUSS JAKOPARTS</b>	J3602005
<b>ICER</b>	182006	<b>IPS-PARTS</b>	IBD-1220	<b>JAPANPARTS</b>	PA-278AF
<b>JAPKO</b>	50278	<b>JURATEK</b>	NIR-08-02-2018	<b>KAMOKA</b>	NIR-13-02-2018
<b>KAWE</b>	1468 04	<b>KAWE</b>	146804	<b>LPR</b>	05P1682
<b>MASTER-SPORT</b>	13046135342N-SET-MS	<b>METELLI</b>	22-0937-0	<b>MINTEX</b>	MDB3160

### Notes:

Manufacturers details are for guidance only. For pricing enquiries please contact our sales team on 01582 578 888

### Comline Auto Parts Limited

Unit B1, Luton Enterprise Park, Sundon Road, Luton, Bedfordshire LU3 3GU

Tel: 01582 578 888 International Tel: +44 1582 578 888 Fax: 01582 578 889 International Fax: +44 1582 578 889

Email: [sales@comline.uk.com](mailto:sales@comline.uk.com) Web: [www.comline.uk.com](http://www.comline.uk.com)



**AUTO PARTS**

# Product Bulletin

## CBP32137 - Brake pad set, disc brake

### Cross References

<b>MASTER-SPORT</b>	13046135342N-SET-MS	<b>METELLI</b>	22-0937-0	<b>MINTEX</b>	MDB3160
<b>NIPPARTS</b>	N3602147	<b>NK</b>	2245100	<b>OPTIMAL</b>	12602
<b>PAGID</b>	T2059	<b>PROTECHNIC</b>	PRP1605	<b>REMSA</b>	1468.04
<b>ROADHOUSE</b>	21468.04	<b>SBS</b>	15012245100	<b>SCT</b>	SP 705
<b>TEXTAR</b>	2520901	<b>TOYOTA</b>	04465-0K340	<b>TOYOTA</b>	044650K240
<b>TOYOTA</b>	044650K260	<b>TOYOTA</b>	044650K320	<b>TOYOTA</b>	044650K340
<b>TOYOTA</b>	04465YZZEF	<b>TRISCAN</b>	8110 13113	<b>TRISCAN</b>	811013113
<b>TRUSTING</b>	953	<b>TRUSTING</b>	953.0	<b>TRW</b>	GDB3528
<b>TRW</b>	GDB3534	<b>WOKING</b>	P15683.04	<b>WVA</b>	25209
<b>ZIMMERMANN</b>	25209.170.1				

#### Notes:

Manufacturers details are for guidance only. For pricing enquiries please contact our sales team on 01582 578 888

#### Comline Auto Parts Limited

Unit B1, Luton Enterprise Park, Sundon Road, Luton, Bedfordshire LU3 3GU

Tel: 01582 578 888 International Tel: +44 1582 578 888 Fax: 01582 578 889 International Fax: +44 1582 578 889

**Email:** [sales@comline.uk.com](mailto:sales@comline.uk.com) **Web:** [www.comline.uk.com](http://www.comline.uk.com)



**AUTO PARTS**

# Product Bulletin

## CBP32137 - Brake pad set, disc brake

### Buyers Guide

Make/Model	Litre	CC	Engine	HP	Model Year	Fitted Period
TOYOTA HILUX (VIGO) VII Pickup (_N1_, _N2_, _N3_)	3.0	2982	Diesel	171	12/2007 >	12/2008 >
TOYOTA HILUX (VIGO) VII Pickup (_N1_, _N2_, _N3_)	2.5	2494	Diesel	144	9/2009 >	
TOYOTA HILUX (VIGO) VII Pickup (_N1_, _N2_, _N3_)	2.5	2494	Diesel	144	1/2010 >	
TOYOTA HILUX (VIGO) VII Pickup (_N1_, _N2_, _N3_)	3.0	2982	Diesel	197	5/2008 - 12/2008	
TOYOTA HILUX VII Pickup (_N1_, _N2_, _N3_)	3.0	2982	Diesel	163	8/2005 >	12/2008 >

#### Notes:

Manufacturers details are for guidance only. For pricing enquiries please contact our sales team on 01582 578 888

#### Comline Auto Parts Limited

Unit B1, Luton Enterprise Park, Sundon Road, Luton, Bedfordshire LU3 3GU

Tel: 01582 578 888 International Tel: +44 1582 578 888 Fax: 01582 578 889 International Fax: +44 1582 578 889

**Email:** [sales@comline.uk.com](mailto:sales@comline.uk.com) **Web:** [www.comline.uk.com](http://www.comline.uk.com)