



AUTO PARTS

Product Bulletin

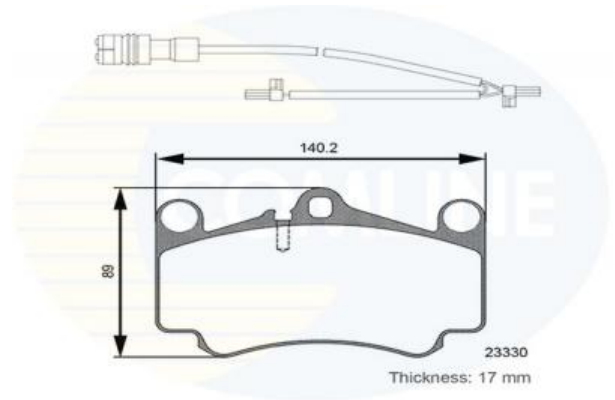
CBP26132 - Brake pad set, disc brake

Vehicles

PORSCHE,

Technical Info

Brake System_P	Brembo
Fitting Position	Front Axle
Length (mm)	140.2
Notes	Number of wear Indicators - 2
Part Info	With Loose Wear Indicator
Thickness (mm)	17
Width (mm)	89



Cross References

A.B.S.	37147	ALANKO	10301121	APEC	PAD1403
ASHIKA	NIR - 11-12-2017	ATE	13.0460-4999.2	BLUE PRINT	NIR - 18-10-2017
BORG & BECK	BBP2255	BRAKE-ENGG	PA1949	BREMBO	P65011
BREMSI	BP3572	CIFAM	822-893-0	DELPHI	LP2056
DJ PARTS	BP2295	EUROBRAKE	5502225609	FEBI	16752
FERODO	FDB1998	FRI.TECH.	910.0	GALFER	B1.G102-0785.2
GIRLING	6117789	ICER	NIR-18-01-2018	JAPKO	NIR-30-01-2018
JURATEK	NIR-08-02-2018	JURID	573645J	KAMOKA	NIR-13-02-2018
KAWE	0981 00	LPR	05P1588	LPR	05P1588A
LPR	05P1588B	MASTER-SPORT	NIR - 17-11-2017	METELLI	22-0893-0

Notes:

Manufacturers details are for guidance only. For pricing enquiries please contact our sales team on 01582 578 888

Comline Auto Parts Limited

Unit B1, Luton Enterprise Park, Sundon Road, Luton, Bedfordshire LU3 3GU

Tel: 01582 578 888 International Tel: +44 1582 578 888 Fax: 01582 578 889 International Fax: +44 1582 578 889

Email: sales@comline.uk.com Web: www.comline.uk.com



COMLINE

AUTO PARTS

Product Bulletin

CBP26132 - Brake pad set, disc brake

Cross References

LPR	05P1588B	MASTER-SPORT	NIR - 17-11-2017	METELLI	22-0893-0
METZGER	1170758	MINTEX	MDB2416	NK	225609
OPTIMAL	12523	PORSCHE	99635194911	PORSCHE	99635194912
PROTECHNIC	PRP1553	REMSA	0981.00	ROADHOUSE	2981.00
SBS	1501225609	SWAG	38 91 6752	TRUSTING	910.0
TRW	GDB1778	VAICO	V45-0023	VILLAR	626.1588
VILLAR	626.1588A	VILLAR	626.1588B	WAGNER	WBP23139A
WOKING	P8813.00	WVA	23330	ZIMMERMANN	23330.170.9

Notes:

Manufacturers details are for guidance only. For pricing enquiries please contact our sales team on 01582 578 888

Comline Auto Parts Limited

Unit B1, Luton Enterprise Park, Sundon Road, Luton, Bedfordshire LU3 3GU

Tel: 01582 578 888 International Tel: +44 1582 578 888 Fax: 01582 578 889 International Fax: +44 1582 578 889

Email: sales@comline.uk.com **Web:** www.comline.uk.com



COMLINE

AUTO PARTS

Product Bulletin

CBP26132 - Brake pad set, disc brake

Buyers Guide

Make/Model	Litre	CC	Engine	HP	Model Year	Fitted Period
PORSCHE 911 (996)	3.6	3600	Petrol	360	3/1999 - 8/2005	
PORSCHE 911 (996)	3.6	3600	Petrol	420	6/2000 - 8/2005	
PORSCHE 911 (996)	3.6	3600	Petrol	381	3/2003 - 8/2005	
PORSCHE 911 (996)	3.6	3600	Petrol	450	2/2003 - 8/2005	
PORSCHE 911 (996)	3.6	3596	Petrol	345	2/2003 - 8/2005	
PORSCHE 911 (996)	3.6	3600	Petrol	450	8/2004 - 8/2005	
PORSCHE 911 (997)	3.8	3824	Petrol	381	8/2005 - 12/2008	
PORSCHE 911 (997)	3.8	3824	Petrol	381	8/2005 - 12/2008	
PORSCHE 911 (997)	3.8	3824	Petrol	355	7/2004 - 12/2008	
PORSCHE 911 (997)	3.8	3800	Petrol	385	6/2008 - 12/2011	
PORSCHE 911 (997)	3.8	3824	Petrol	355	7/2004 - 12/2008	
PORSCHE 911 Convertible (996)	3.6	3600	Petrol	450	10/2003 - 8/2005	
PORSCHE 911 Convertible (996)	3.6	3600	Petrol	420	10/2003 - 8/2005	
PORSCHE 911 Convertible (996)	3.6	3596	Petrol	345	6/2002 - 8/2005	
PORSCHE 911 Convertible (997)	3.8	3824	Petrol	355	4/2005 - 12/2008	
PORSCHE 911 Convertible (997)	3.8	3824	Petrol	381	8/2005 - 12/2008	
PORSCHE 911 Convertible (997)	3.8	3824	Petrol	381	8/2005 - 12/2008	
PORSCHE 911 Convertible (997)	3.8	3824	Petrol	355	4/2005 - 12/2008	

Notes:

Manufacturers details are for guidance only. For pricing enquiries please contact our sales team on 01582 578 888

Comline Auto Parts Limited

Unit B1, Luton Enterprise Park, Sundon Road, Luton, Bedfordshire LU3 3GU

Tel: 01582 578 888 International Tel: +44 1582 578 888 Fax: 01582 578 889 International Fax: +44 1582 578 889

Email: sales@comline.uk.com **Web:** www.comline.uk.com