



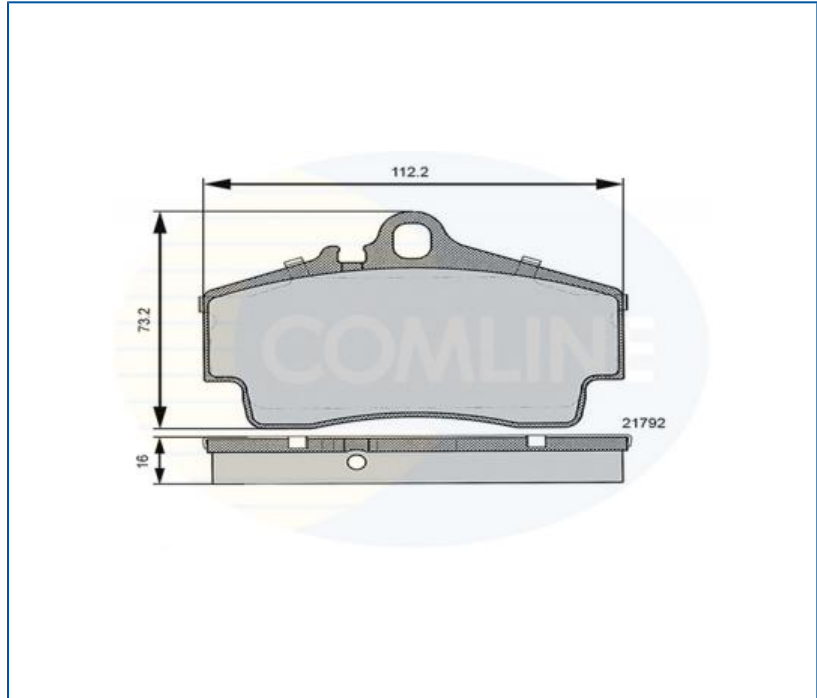
AUTO PARTS

Product Bulletin

CBP06130 - Brake pad set, disc brake

Vehicles

PORSCHE,



Technical Info

| | |
|------------------|------------------------|
| Brake System_P | Brembo |
| Fitting Position | Rear Axle |
| Length (mm) | 112.2 |
| Part Info | Without Wear Indicator |
| Thickness (mm) | 16 |
| Width (mm) | 73.2 |

Cross References

| | | | | | |
|-------------------|------------------|------------------------|----------------|----------------|----------------|
| A.B.S. | 37102 | A.B.S. | 37102S | AKEBONO | AN-4724K |
| AKEBONO | AN-4724KE | ALANKO | 10301113 | APEC | PAD1029 |
| ASHIKA | NIR - 11-12-2017 | ATE | 13.0460-4988.2 | BELACO | BC1308 |
| BLUE PRINT | NIR - 18-10-2017 | BORG & BECK | BBP2235 | BOSCH | 0 986 424 569 |
| BOSCH | 0 986 494 265 | BRAKE-ENGG | PA1258 | BRAxis | AA0295 |
| BREMBO | P65008 | BREMSI | BP3176 | CIFAM | 822-658-0 |
| DELPHI | LP1301 | E.T.F. | 12-1176 | FEBI | 16521 |
| FERODO | FDB1308 | FRI.TECH. | 674.0 | FTE | BL1737A2 |
| GALFER | B1.G102-0883.2 | GIRLING | 6113959 | GIRLING | 6117579 |
| ICER | 181619 | JAPKO | NIR-30-01-2018 | JURATEK | NIR-08-02-2018 |

Notes:

Manufacturers details are for guidance only. For pricing enquiries please contact our sales team on 01582 578 888

Comline Auto Parts Limited

Unit B1, Luton Enterprise Park, Sundon Road, Luton, Bedfordshire LU3 3GU

Tel: 01582 578 888 International Tel: +44 1582 578 888 Fax: 01582 578 889 International Fax: +44 1582 578 889

Email: sales@comline.uk.com **Web:** www.comline.uk.com



AUTO PARTS

Product Bulletin

CBP06130 - Brake pad set, disc brake

Cross References

| | | | | | |
|---------------------|------------------|-------------------|----------------|-------------------|----------------|
| ICER | 181619 | JAPKO | NIR-30-01-2018 | JURATEK | NIR-08-02-2018 |
| JURID | 573229J | JURID | 573229JC | KAWE | 0654 00 |
| LPR | 05P727 | LPR | 05P727A | MAGNETI-MA | 363702161027 |
| MASTER-SPORT | NIR - 17-11-2017 | METELLI | 22-0658-0 | METZGER | 1170742 |
| MEYLE | 025 217 9216/PD | MINTEX | MDB1874 | MOPROD | MBP1190 |
| MOTAQUIP | LVXL1227 | OPEN PARTS | BPA0654.00 | OPTIMAL | 10213 |
| PAGID | T5125 | PORSCHE | 98635293910 | PORSCHE | 99635293900 |
| PORSCHE | 99635293903 | PROTECHNIC | PRP1146 | QH | BP1190 |
| R BRAKE | RB1619 | REMSA | 0654.00 | ROADHOUSE | 2654.00 |
| SCT | SP 449 PR | STELLOX | 665 000-SX | STELLOX | 665 000B-SX |
| SWAG | 38 91 6521 | TEXTAR | 2179203 | TRISCAN | 8110 29163 |
| TRUSTING | 674.0 | TRW | GDB1395 | TRW | GDB1757 |
| VAICO | V45-0029 | VALEO | 598768 | VILLAR | 626.0727 |
| VILLAR | 626.0727A | WAGNER | WBP21792A | WOKING | P7543.00 |
| WVA | 21792 | ZIMMERMANN | 21792.155.9 | | |

Notes:

Manufacturers details are for guidance only. For pricing enquiries please contact our sales team on 01582 578 888

Comline Auto Parts Limited

Unit B1, Luton Enterprise Park, Sundon Road, Luton, Bedfordshire LU3 3GU

Tel: 01582 578 888 International Tel: +44 1582 578 888 Fax: 01582 578 889 International Fax: +44 1582 578 889

Email: sales@comline.uk.com **Web:** www.comline.uk.com



AUTO PARTS

Product Bulletin

CBP06130 - Brake pad set, disc brake

Buyers Guide

| Make/Model | Litre | CC | Engine | HP | Model Year | Fitted Period |
|-------------------------------|-------|------|--------|-----|------------------|---------------|
| PORSCHE 911 (996) | 3.4 | 3387 | Petrol | 301 | 9/1997 - 9/2001 | |
| PORSCHE 911 (996) | 3.6 | 3596 | Petrol | 345 | 2/2003 - 8/2005 | |
| PORSCHE 911 (996) | 3.6 | 3596 | Petrol | 320 | 10/2001 - 8/2005 | |
| PORSCHE 911 (996) | 3.6 | 3596 | Petrol | 320 | 10/2001 - 8/2005 | |
| PORSCHE 911 (996) | 3.4 | 3387 | Petrol | 320 | 5/2001 - 8/2005 | |
| PORSCHE 911 (996) | 3.4 | 3387 | Petrol | 320 | 5/2001 - 8/2005 | |
| PORSCHE 911 (996) | 3.4 | 3387 | Petrol | 301 | 9/1997 - 9/2001 | |
| PORSCHE 911 (997) | 3.6 | 3596 | Petrol | 325 | 7/2004 - 12/2008 | |
| PORSCHE 911 (997) | 3.6 | 3596 | Petrol | 325 | 7/2004 - 12/2008 | |
| PORSCHE 911 Convertible (996) | 3.4 | 3387 | Petrol | 301 | 2/1998 - 9/2001 | |
| PORSCHE 911 Convertible (996) | 3.6 | 3596 | Petrol | 345 | 6/2002 - 8/2005 | |
| PORSCHE 911 Convertible (996) | 3.6 | 3596 | Petrol | 320 | 10/2001 - 8/2005 | |
| PORSCHE 911 Convertible (996) | 3.6 | 3596 | Petrol | 320 | 10/2001 - 8/2005 | |
| PORSCHE 911 Convertible (996) | 3.4 | 3387 | Petrol | 320 | 5/2001 - 8/2005 | |
| PORSCHE 911 Convertible (996) | 3.4 | 3387 | Petrol | 320 | 5/2001 - 8/2005 | |
| PORSCHE 911 Convertible (996) | 3.4 | 3387 | Petrol | 301 | 2/1998 - 9/2001 | |
| PORSCHE 911 Convertible (997) | 3.6 | 3596 | Petrol | 325 | 4/2005 - 12/2008 | |
| PORSCHE 911 Convertible (997) | 3.6 | 3596 | Petrol | 325 | 4/2005 - 12/2008 | |
| PORSCHE 911 Targa (996) | 3.6 | 3596 | Petrol | 320 | 12/2001 - 8/2005 | |
| PORSCHE 911 Targa (997) | 3.6 | 3596 | Petrol | 325 | 7/2006 - 12/2008 | |
| PORSCHE BOXSTER (986) | 3.2 | 3179 | Petrol | 266 | 1/2004 - 12/2004 | |
| PORSCHE BOXSTER (986) | 3.2 | 3179 | Petrol | 260 | 7/2002 - 12/2004 | |
| PORSCHE BOXSTER (986) | 2.7 | 2687 | Petrol | 228 | 7/2002 - 12/2004 | |
| PORSCHE BOXSTER (986) | 3.2 | 3179 | Petrol | 252 | 8/1999 - 7/2002 | |
| PORSCHE BOXSTER (986) | 2.7 | 2687 | Petrol | 220 | 8/1999 - 7/2002 | |
| PORSCHE BOXSTER (986) | 2.5 | 2480 | Petrol | 204 | 9/1996 - 8/1999 | |

Notes:

Manufacturers details are for guidance only. For pricing enquiries please contact our sales team on 01582 578 888

Comline Auto Parts Limited

Unit B1, Luton Enterprise Park, Sundon Road, Luton, Bedfordshire LU3 3GU

Tel: 01582 578 888 International Tel: +44 1582 578 888 Fax: 01582 578 889 International Fax: +44 1582 578 889

Email: sales@comline.uk.com **Web:** www.comline.uk.com



AUTO PARTS

Product Bulletin

CBP06130 - Brake pad set, disc brake

Buyers Guide

| Make/Model | Litre | CC | Engine | HP | Model Year | Fitted Period |
|-----------------------|-------|------|--------|-----|-------------------|---------------|
| PORSCHE BOXSTER (986) | 2.7 | 2687 | Petrol | 211 | 6/1999 - 12/2002 | |
| PORSCHE BOXSTER (987) | 3.4 | 3387 | Petrol | 295 | 7/2006 - 12/2009 | |
| PORSCHE BOXSTER (987) | 2.7 | 2687 | Petrol | 245 | 7/2006 - 12/2009 | |
| PORSCHE BOXSTER (987) | 3.2 | 3179 | Petrol | 280 | 11/2004 - 12/2006 | |
| PORSCHE BOXSTER (987) | 2.7 | 2687 | Petrol | 240 | 11/2004 - 12/2006 | |
| PORSCHE BOXSTER (987) | 2.9 | 2893 | Petrol | 255 | 6/2009 - 12/2011 | |
| PORSCHE CAYMAN (987) | 2.9 | 2893 | Petrol | 265 | 2/2009 - 12/2012 | |
| PORSCHE CAYMAN (987) | 3.4 | 3436 | Petrol | 320 | 2/2009 - 6/2013 | 2/2010 > |
| PORSCHE CAYMAN (987) | 3.4 | 3436 | Petrol | 330 | 11/2010 - 12/2012 | |
| PORSCHE CAYMAN (987) | 3.4 | 3387 | Petrol | 295 | 11/2005 - 12/2009 | |
| PORSCHE CAYMAN (987) | 2.7 | 2687 | Petrol | 245 | 7/2006 - 12/2009 | |

Notes:

Manufacturers details are for guidance only. For pricing enquiries please contact our sales team on 01582 578 888

Comline Auto Parts Limited

Unit B1, Luton Enterprise Park, Sundon Road, Luton, Bedfordshire LU3 3GU

Tel: 01582 578 888 International Tel: +44 1582 578 888 Fax: 01582 578 889 International Fax: +44 1582 578 889

Email: sales@comline.uk.com **Web:** www.comline.uk.com