



AUTO PARTS

Product Bulletin

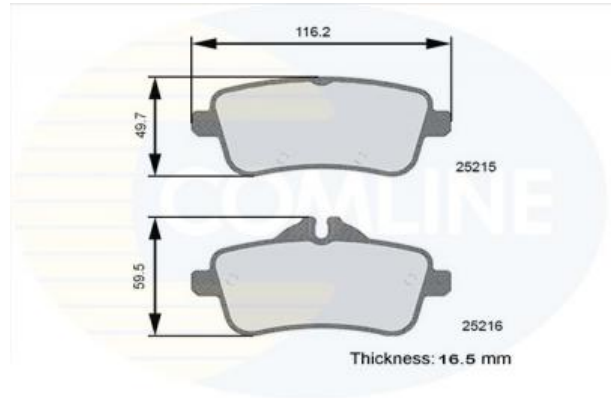
CBP06121 - Brake pad set, disc brake

Vehicles

MERCEDES-BENZ,

Technical Info

Brake System_P	TRW
Fitting Position	Rear Axle
Length (mm)	116.2
Part Info	Without Wear Indicator
Thickness (mm)	16.5
Width (mm)	49.7
Width 2 (mm)	59.5



Cross References

A.B.S.	37942	ABE	C2M032ABE	APEC	PAD1929
ASHIKA	NIR - 11-12-2017	ATE	NIR - 14-11-2017	BLUE PRINT	NIR - 18-10-2017
BORG & BECK	BBP2417	BOSCH	0 986 494 771	BREMBO	P50101
BREMSI	BP3539	CIFAM	822-968-3	DELPHI	LP3159
DENCKERMANN	B111339	E.T.F.	12-1539	FEBI	16990
FERODO	FDB4587	FRI.TECH.	984.3	FTE	BL2720C1
GIRLING	6119471	ICER	182072-200	JAPKO	NIR-30-01-2018
JURATEK	NIR-08-02-2018	JURID	573466J	KAMOKA	NIR-13-02-2018
KAWE	1503 00	LPR	05P1817	MASTER-SPORT	NIR - 17-11-2017
MERCEDES BENZ	0064203520	MERCEDES BENZ	0064206320	MERCEDES BENZ	A0064203520

Notes:

Manufacturers details are for guidance only. For pricing enquiries please contact our sales team on 01582 578 888

Comline Auto Parts Limited

Unit B1, Luton Enterprise Park, Sundon Road, Luton, Bedfordshire LU3 3GU

Tel: 01582 578 888 International Tel: +44 1582 578 888 Fax: 01582 578 889 International Fax: +44 1582 578 889

Email: sales@comline.uk.com **Web:** www.comline.uk.com



AUTO PARTS

Product Bulletin

CBP06121 - Brake pad set, disc brake

Cross References

MERCEDES BENZ	0064203520	MERCEDES BENZ	0064206320	MERCEDES BENZ	A0064203520
MERCEDES BENZ	A0064206320	METELLI	22-0968-3	MEYLE	025 252 1516
MEYLE	025 252 1516/PD	MINTEX	MDB3315	OPEN PARTS	BPA1503.00
OPTIMAL	NIR-14-03-2018	PAGID	T2214	PROTECHNIC	PRP1662
PROTECHNIC	PRP1662-3M	R BRAKE	RB2072-200	REMSA	1503.00
REMSA	1503.10	ROADHOUSE	21503.00	ROADHOUSE	21503.10
SWAG	10 91 6990	TEXTAR	2521505	TRUCKTEC	02.35.509
TRUSTING	984.3	TRW	GDB1947	VALEO	601341
VILLAR	626.1817	WOKING	P14033.00	WVA	25215
WVA	25216	ZIMMERMANN	25215.190.1	ZIMMERMANN	25215.190.2

Notes:

Manufacturers details are for guidance only. For pricing enquiries please contact our sales team on 01582 578 888

Comline Auto Parts Limited

Unit B1, Luton Enterprise Park, Sundon Road, Luton, Bedfordshire LU3 3GU

Tel: 01582 578 888 International Tel: +44 1582 578 888 Fax: 01582 578 889 International Fax: +44 1582 578 889

Email: sales@comline.uk.com **Web:** www.comline.uk.com



AUTO PARTS

Product Bulletin

CBP06121 - Brake pad set, disc brake

Buyers Guide

Make/Model	Litre	CC	Engine	HP	Model Year	Fitted Period
MERCEDES-BENZ GL-CLASS (X166)	5.5	5461	Petrol	558	7/2012 >	
MERCEDES-BENZ M-CLASS (W166)	5.5	5461	Petrol	558	11/2011 - 2/2015	
MERCEDES-BENZ M-CLASS (W166)	5.5	5461	Petrol	525	11/2011 - 2/2015	

Notes:

Manufacturers details are for guidance only. For pricing enquiries please contact our sales team on 01582 578 888

Comline Auto Parts Limited

Unit B1, Luton Enterprise Park, Sundon Road, Luton, Bedfordshire LU3 3GU

Tel: 01582 578 888 International Tel: +44 1582 578 888 Fax: 01582 578 889 International Fax: +44 1582 578 889

Email: sales@comline.uk.com **Web:** www.comline.uk.com