



AUTO PARTS

Product Bulletin

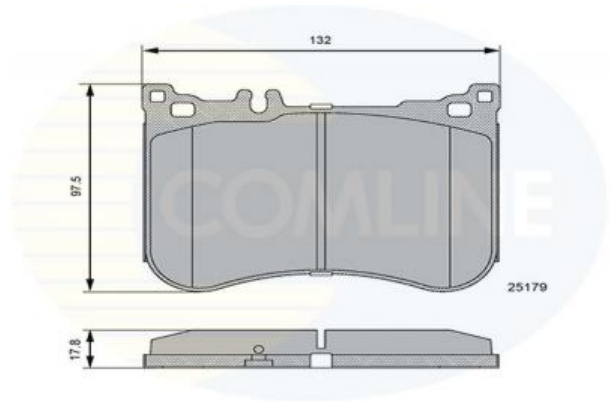
CBP06114 - Brake pad set, disc brake

Vehicles

MERCEDES-BENZ,

Technical Info

Brake System_P	Brembo
Fitting Position	Front Axle
Length (mm)	132
Part Info	Prepared for wear indicator
Thickness (mm)	17.8
Width (mm)	97.5



Cross References

A.B.S.	37952	APEC	PAD1927	ASHIKA	NIR - 11-12-2017
ATE	13.0460-4870.2	BLUE PRINT	NIR - 18-10-2017	BORG & BECK	BBP2375
BREMBO	P50095	DELPHI	LP2445	FEBI	NIR-11-01-2018
FERODO	FDB4800	GIRLING	6120195	ICER	182080
JAPKO	NIR-30-01-2018	JURATEK	NIR-08-02-2018	KAMOKA	NIR-13-02-2018
KAWE	1534 00	LPR	05P1968	MASTER-SPORT	NIR - 17-11-2017
MERCEDES BENZ	0064205020	MERCEDES BENZ	0064209320	MERCEDES BENZ	0084200920
MERCEDES BENZ	0084203320	MERCEDES BENZ	A0064205020	MERCEDES BENZ	A0064209320
MERCEDES BENZ	A0084200920	MERCEDES BENZ	A0084203320	METELLI	NIR-27-02-2018
MINTEX	MDB3279	MINTEX	MDB3420	OPEN PARTS	BPA1534.00

Notes:

Manufacturers details are for guidance only. For pricing enquiries please contact our sales team on 01582 578 888

Comline Auto Parts Limited

Unit B1, Luton Enterprise Park, Sundon Road, Luton, Bedfordshire LU3 3GU

Tel: 01582 578 888 International Tel: +44 1582 578 888 Fax: 01582 578 889 International Fax: +44 1582 578 889

Email: sales@comline.uk.com Web: www.comline.uk.com



AUTO PARTS

Product Bulletin

CBP06114 - Brake pad set, disc brake

Cross References

MINTEX	MDB3279	MINTEX	MDB3420	OPEN PARTS	BPA1534.00
OPTIMAL	12657	PAGID	T3146	PROTECHNIC	PRP1843
REMSA	1534.00	ROADHOUSE	21534.00	TEXTAR	2517901
TRW	GDB2019	VILLAR	626.1968	WOKING	P14343.00
WVA	25706	ZIMMERMANN	25179.180.1		

Notes:

Manufacturers details are for guidance only. For pricing enquiries please contact our sales team on 01582 578 888

Comline Auto Parts Limited

Unit B1, Luton Enterprise Park, Sundon Road, Luton, Bedfordshire LU3 3GU

Tel: 01582 578 888 International Tel: +44 1582 578 888 Fax: 01582 578 889 International Fax: +44 1582 578 889

Email: sales@comline.uk.com **Web:** www.comline.uk.com



AUTO PARTS

Product Bulletin

CBP06114 - Brake pad set, disc brake

Buyers Guide

Make/Model	Litre	CC	Engine	HP	Model Year	Fitted Period
MERCEDES-BENZ S-CLASS (W222, V222, X222)	6.0	5980	Petrol	530	12/2014 >	
MERCEDES-BENZ S-CLASS (W222, V222, X222)	4.7	4663	Petrol	455	12/2014 >	
MERCEDES-BENZ S-CLASS (W222, V222, X222)	3.0	2996	Hybrid	333	7/2014 >	
MERCEDES-BENZ S-CLASS (W222, V222, X222)	6.0	5980	Petrol	630	2/2014 >	
MERCEDES-BENZ S-CLASS (W222, V222, X222)	6.0	5980	Petrol	530	2/2014 >	
MERCEDES-BENZ S-CLASS (W222, V222, X222)	2.1	2143	Hybrid	204	2/2014 >	
MERCEDES-BENZ S-CLASS (W222, V222, X222)	5.5	5461	Petrol	585	5/2013 >	
MERCEDES-BENZ S-CLASS (W222, V222, X222)	4.7	4663	Petrol	455	5/2013 >	
MERCEDES-BENZ S-CLASS (W222, V222, X222)	3.0	2987	Diesel	258	5/2013 >	
MERCEDES-BENZ S-CLASS Convertible (A217)	4.7	4663	Petrol	456	12/2015 >	
MERCEDES-BENZ S-CLASS Coupe (C217)	4.7	4663	Petrol	455	11/2014 >	
MERCEDES-BENZ SL (R231)	4.7	4663	Petrol	455	4/2015 >	
MERCEDES-BENZ SL (R231)	3.5	3498	Petrol	306	2/2012 >	
MERCEDES-BENZ SL (R231)	3.0	2996	Petrol	333	4/2014 >	
MERCEDES-BENZ SL (R231)	4.7	4663	Petrol	435	1/2012 >	
MERCEDES-BENZ SL (R231)	3.0	2996	Petrol	367	1/2016 >	

Notes:

Manufacturers details are for guidance only. For pricing enquiries please contact our sales team on 01582 578 888

Comline Auto Parts Limited

Unit B1, Luton Enterprise Park, Sundon Road, Luton, Bedfordshire LU3 3GU

Tel: 01582 578 888 International Tel: +44 1582 578 888 Fax: 01582 578 889 International Fax: +44 1582 578 889

Email: sales@comline.uk.com **Web:** www.comline.uk.com