



AUTO PARTS

Product Bulletin

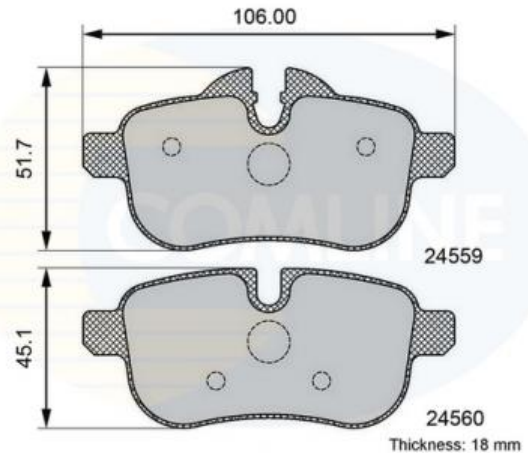
CBP06106 - Brake pad set, disc brake

Vehicles

BMW,

Technical Info

| | |
|------------------|-----------------------------|
| Brake System_P | TRW |
| Fitting Position | Rear Axle |
| Length (mm) | 106 |
| Part Info | Prepared for wear indicator |
| Thickness (mm) | 18 |
| Width 2 (mm) | 51.7 |



Cross References

| | | | | | |
|-------------------|----------------|------------------------|------------------|---------------------|------------------|
| A.B.S. | 37730 | APEC | PAD1740 | ASHIKA | NIR - 11-12-2017 |
| ATE | 13.0460-2759.2 | BLUE PRINT | NIR - 18-10-2017 | BMW | 34216788275 |
| BMW | 34216797861 | BORG & BECK | BBP2260 | BOSCH | 0 986 494 450 |
| BRAKE-ENGG | PA1967 | BREMBO | P06062 | BREMSI | BP3581 |
| CIFAM | 822-919-0 | DELPHI | LP2163 | FEBI | 16785 |
| FERODO | FDB4401 | FRI.TECH. | 937.0 | FTE | BL2664A1 |
| GIRLING | 6118271 | ICER | 182012 | JAPKO | NIR-30-01-2018 |
| JURATEK | NIR-08-02-2018 | JURID | 573651J | KAMOKA | NIR-13-02-2018 |
| KAWE | 1417 00 | LPR | 05P1617 | MASTER-SPORT | NIR - 17-11-2017 |
| METELLI | 22-0919-0 | METZGER | 1170783 | MEYLE | 025 245 5918 |

Notes:

Manufacturers details are for guidance only. For pricing enquiries please contact our sales team on 01582 578 888

Comline Auto Parts Limited

Unit B1, Luton Enterprise Park, Sundon Road, Luton, Bedfordshire LU3 3GU

Tel: 01582 578 888 International Tel: +44 1582 578 888 Fax: 01582 578 889 International Fax: +44 1582 578 889

Email: sales@comline.uk.com Web: www.comline.uk.com



AUTO PARTS

Product Bulletin

CBP06106 - Brake pad set, disc brake

Cross References

| | | | | | |
|-------------------|-------------|-----------------|------------|-------------------|--------------|
| METELLI | 22-0919-0 | METZGER | 1170783 | MEYLE | 025 245 5918 |
| MINTEX | MDB2947 | MOTAQUIP | LVXL1663 | OPEN PARTS | BPA1417.00 |
| OPTIMAL | 12603 | PAGID | T1858 | PROTECHNIC | PRP1586 |
| QH | BP1770 | R BRAKE | RB2012 | REMSA | 1417.00 |
| ROADHOUSE | 21417.00 | STELLOX | 000 356-SX | SWAG | 20 91 6785 |
| TEXTAR | 2455901 | TRISCAN | 8110 11056 | TRUSTING | 937.0 |
| TRW | GDB1827 | VAICO | V20-1466 | VILLAR | 626.1617 |
| WOKING | P15173.00 | WVA | 24559 | WVA | 24560 |
| ZIMMERMANN | 24559.180.1 | | | | |

Notes:

Manufacturers details are for guidance only. For pricing enquiries please contact our sales team on 01582 578 888

Comline Auto Parts Limited

Unit B1, Luton Enterprise Park, Sundon Road, Luton, Bedfordshire LU3 3GU

Tel: 01582 578 888 International Tel: +44 1582 578 888 Fax: 01582 578 889 International Fax: +44 1582 578 889

Email: sales@comline.uk.com **Web:** www.comline.uk.com



COMLINE

AUTO PARTS

Product Bulletin

CBP06106 - Brake pad set, disc brake

Buyers Guide

| Make/Model | Litre | CC | Engine | HP | Model Year | Fitted Period |
|-----------------------|-------|------|--------|-----|------------|---------------|
| BMW Z4 Roadster (E89) | 2.5 | 2497 | Petrol | 204 | 5/2009 > | |
| BMW Z4 Roadster (E89) | 3.0 | 2996 | Petrol | 258 | 5/2009 > | |
| BMW Z4 Roadster (E89) | 2.0 | 1997 | Petrol | 184 | 9/2011 > | |
| BMW Z4 Roadster (E89) | 2.0 | 1997 | Petrol | 245 | 9/2011 > | |
| BMW Z4 Roadster (E89) | 2.0 | 1997 | Petrol | 156 | 4/2013 > | |
| BMW Z4 Roadster (E89) | 2.0 | 1997 | Petrol | 163 | 9/2011 > | |

Notes:

Manufacturers details are for guidance only. For pricing enquiries please contact our sales team on 01582 578 888

Comline Auto Parts Limited

Unit B1, Luton Enterprise Park, Sundon Road, Luton, Bedfordshire LU3 3GU

Tel: 01582 578 888 International Tel: +44 1582 578 888 Fax: 01582 578 889 International Fax: +44 1582 578 889

Email: sales@comline.uk.com **Web:** www.comline.uk.com