



AUTO PARTS

Product Bulletin

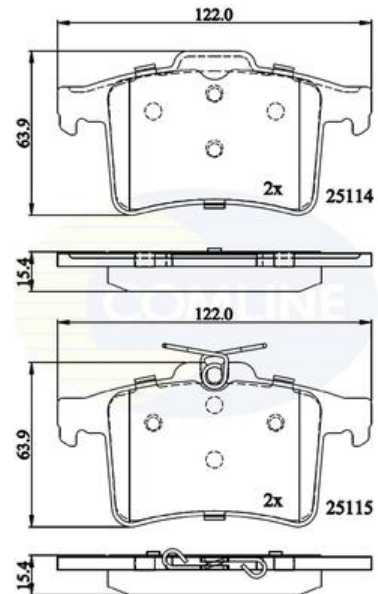
CBP06095 - Brake pad set, disc brake

Vehicles

JAGUAR,

Technical Info

Brake System_P	Teves
Fitting Position	Rear Axle
Length (mm)	122.0
Part Info	Without Wear Indicator
Thickness (mm)	15.4
Width (mm)	63.9



Cross References

A.B.S.	37819	APEC	PAD1768	ASHIKA	NIR - 11-12-2017
ATE	13.0460-7255.2	BLUE PRINT	ADJ134226	BORG & BECK	BBP2265
BOSCH	0 986 494 480	BREMBO	P36026	BREMSI	BP3484
DELPHI	LP2179	E.T.F.	12-1484	FEBI	116089
FTE	BL2639A1	GALFER	B1.G102-0944.2	ICER	181981
JAGUAR	C2D3792	JAPKO	NIR-30-01-2018	JURATEK	NIR-08-02-2018
KAMOKA	NIR-13-02-2018	LPR	NIR-15-02-2018	MASTER-SPORT	NIR - 17-11-2017
METELLI	NIR-27-02-2018	MEYLE	025 251 1416	MINTEX	MDB3171
MOPROD	MBP1781	MOTAQUIP	LVXL1928	OPTIMAL	12514
PROTECHNIC	PRP1828	QH	BP1781	R BRAKE	RB1981

Notes:

Manufacturers details are for guidance only. For pricing enquiries please contact our sales team on 01582 578 888

Comline Auto Parts Limited

Unit B1, Luton Enterprise Park, Sundon Road, Luton, Bedfordshire LU3 3GU

Tel: 01582 578 888 International Tel: +44 1582 578 888 Fax: 01582 578 889 International Fax: +44 1582 578 889

Email: sales@comline.uk.com Web: www.comline.uk.com



AUTO PARTS

Product Bulletin

CBP06095 - Brake pad set, disc brake

Cross References

PROTECHNIC	PRP1828	QH	BP1781	R BRAKE	RB1981
REMSA	1428.00	ROADHOUSE	21428.00	STELLOX	000 364-SX
TEXTAR	2511401	TRISCAN	8110 10591	WVA	25114
WVA	25115	ZIMMERMANN	NIR 25-10-17		

Notes:

Manufacturers details are for guidance only. For pricing enquiries please contact our sales team on 01582 578 888

Comline Auto Parts Limited

Unit B1, Luton Enterprise Park, Sundon Road, Luton, Bedfordshire LU3 3GU

Tel: 01582 578 888 International Tel: +44 1582 578 888 Fax: 01582 578 889 International Fax: +44 1582 578 889

Email: sales@comline.uk.com **Web:** www.comline.uk.com



AUTO PARTS

Product Bulletin

CBP06095 - Brake pad set, disc brake

Buyers Guide

Make/Model	Litre	CC	Engine	HP	Model Year	Fitted Period
JAGUAR XF (X250)	5.0	5000	Petrol	510	3/2009 - 4/2015	
JAGUAR XF (X250)	5.0	5000	Petrol	550	10/2012 - 4/2015	
JAGUAR XF (X250)	5.0	5000	Petrol	471	1/2009 - 4/2015	
JAGUAR XF SPORTBRAKE (X250)	5.0	5000	Petrol	550	2/2013 - 4/2014	
JAGUAR XJ (X351)	5.0	5000	Petrol	550	6/2013 >	
JAGUAR XJ (X351)	5.0	5000	Petrol	575	7/2017 >	
JAGUAR XJ (X351)	5.0	5000	Petrol	471	10/2009 >	
JAGUAR XJ (X351)	5.0	5000	Petrol	510	10/2009 >	
JAGUAR XK Convertible (X150)	5.0	5000	Petrol	550	1/2011 - 7/2014	
JAGUAR XK Convertible (X150)	5.0	5000	Petrol	510	1/2009 - 7/2014	
JAGUAR XK Coupe (X150)	5.0	5000	Petrol	530	9/2010 - 7/2014	
JAGUAR XK Coupe (X150)	5.0	5000	Petrol	510	1/2009 - 7/2014	
JAGUAR XK Coupe (X150)	5.0	5000	Petrol	550	1/2011 - 7/2014	

Notes:

Manufacturers details are for guidance only. For pricing enquiries please contact our sales team on 01582 578 888

Comline Auto Parts Limited

Unit B1, Luton Enterprise Park, Sundon Road, Luton, Bedfordshire LU3 3GU

Tel: 01582 578 888 International Tel: +44 1582 578 888 Fax: 01582 578 889 International Fax: +44 1582 578 889

Email: sales@comline.uk.com **Web:** www.comline.uk.com