



AUTO PARTS

Product Bulletin

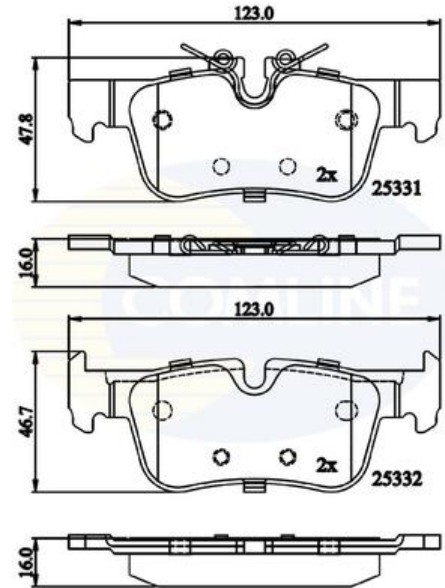
CBP02318 - Brake pad set, disc brake

Vehicles

BMW, MINI,

Technical Info

Brake System_P	Teves
Fitting Position	Rear Axle
Length (mm)	123.0
Part Info	Without Wear Indicator
Thickness (mm)	16.0
Width 2 (mm)	47.8



Cross References

A.B.S.	35030	ABE	C2B032ABE	APEC	PAD2007
ASHIKA	NIR - 11-12-2017	ATE	13.0460-7315.2	ATE	13.0470-7315.2
BLUE PRINT	CBP114218	BMW	34216859917	BMW	34216860403
BORG & BECK	BBP2499	BREMBO	P06094	BREMSI	BP3633
CIFAM	822-1038-0	DELPHI	LP2719	E.T.F.	12-1566
EUROBRAKE	5502221568	FEBI	16910	FRI.TECH.	1062.0
FTE	BL2832A1	GALFER	B1.G120-1540.2	GIRLING	6120632
ICER	182193	JAPKO	NIR-30-01-2018	JURATEK	NIR-08-02-2018
KAISHIN	FK10227	KAMOKA	NIR-13-02-2018	KAWE	1573 00
LPR	NIR-15-02-2018	MASTER-SPORT	NIR - 17-11-2017	METELLI	22-1038-0

Notes:

Manufacturers details are for guidance only. For pricing enquiries please contact our sales team on 01582 578 888

Comline Auto Parts Limited

Unit B1, Luton Enterprise Park, Sundon Road, Luton, Bedfordshire LU3 3GU

Tel: 01582 578 888 International Tel: +44 1582 578 888 Fax: 01582 578 889 International Fax: +44 1582 578 889

Email: sales@comline.uk.com **Web:** www.comline.uk.com



AUTO PARTS

Product Bulletin

CBP02318 - Brake pad set, disc brake

Cross References

LPR	NIR-15-02-2018	MASTER-SPORT	NIR - 17-11-2017	METELLI	22-1038-0
MINTEX	MDB3723	MOTAQUIP	LVXL1834	NK	221568
OPEN PARTS	BPA1573.00	PAGID	T2399	PROTECHNIC	PRP1713
QH	BP1860	R BRAKE	RB2193	RAICAM	RA.1075.0
REMSA	1573.00	ROADHOUSE	21573.00	SBS	1501221568
SWAG	20 91 6910	TEXTAR	2533101	TRISCAN	8110 11062
TRUSTING	1062.0	TRW	GDB2063	VAICO	V20-3126
WOKING	P14733.00	WVA	25331	WVA	25332
ZIMMERMANN	25331.160.1				

Notes:

Manufacturers details are for guidance only. For pricing enquiries please contact our sales team on 01582 578 888

Comline Auto Parts Limited

Unit B1, Luton Enterprise Park, Sundon Road, Luton, Bedfordshire LU3 3GU

Tel: 01582 578 888 International Tel: +44 1582 578 888 Fax: 01582 578 889 International Fax: +44 1582 578 889

Email: sales@comline.uk.com **Web:** www.comline.uk.com



AUTO PARTS

Product Bulletin

CBP02318 - Brake pad set, disc brake

Buyers Guide

Make/Model	Litre	CC	Engine	HP	Model Year	Fitted Period
BMW 2 Active Tourer (F45)	1.5	1499	Hybrid	224	11/2014 >	
BMW 2 Active Tourer (F45)	1.5	1496	Diesel	95	7/2014 - 2/2018	
BMW 2 Active Tourer (F45)	1.5	1499	Petrol	102	2/2015 - 2/2018	
BMW 2 Active Tourer (F45)	2.0	1995	Diesel	150	12/2014 >	
BMW 2 Active Tourer (F45)	1.5	1499	Hybrid	136	11/2014 >	
BMW 2 Active Tourer (F45)	2.0	1995	Diesel	136	12/2014 >	
BMW 2 Active Tourer (F45)	2.0	1995	Diesel	136	11/2013 >	
BMW 2 Active Tourer (F45)	2.0	1995	Diesel	163	3/2014 >	
BMW 2 Active Tourer (F45)	2.0	1995	Diesel	163	3/2014 >	
BMW 2 Active Tourer (F45)	2.0	1998	Petrol	163	3/2014 >	
BMW 2 Active Tourer (F45)	2.0	1998	Petrol	231	3/2014 >	
BMW 2 Active Tourer (F45)	2.0	1998	Petrol	231	11/2013 >	
BMW 2 Active Tourer (F45)	2.0	1998	Petrol	192	3/2014 >	
BMW 2 Active Tourer (F45)	2.0	1995	Diesel	190	3/2014 >	
BMW 2 Active Tourer (F45)	2.0	1995	Diesel	190	3/2014 >	
BMW 2 Active Tourer (F45)	1.5	1496	Diesel	116	3/2014 >	
BMW 2 Active Tourer (F45)	1.5	1499	Petrol	136	11/2013 - 2/2018	
BMW 2 Active Tourer (F45)	2.0	1995	Diesel	150	11/2013 >	
BMW 2 Gran Tourer (F46)	2.0	1995	Diesel	190	9/2014 >	
BMW 2 Gran Tourer (F46)	2.0	1995	Diesel	136	7/2014 >	
BMW 2 Gran Tourer (F46)	2.0	1995	Diesel	163	9/2014 >	
BMW 2 Gran Tourer (F46)	2.0	1995	Diesel	163	7/2014 >	
BMW 2 Gran Tourer (F46)	2.0	1998	Petrol	163	7/2014 >	
BMW 2 Gran Tourer (F46)	2.0	1995	Diesel	190	7/2014 >	
BMW 2 Gran Tourer (F46)	1.5	1499	Petrol	102	9/2014 - 2/2018	
BMW 2 Gran Tourer (F46)	1.5	1496	Diesel	95	7/2015 - 2/2018	

Notes:

Manufacturers details are for guidance only. For pricing enquiries please contact our sales team on 01582 578 888

Comline Auto Parts Limited

Unit B1, Luton Enterprise Park, Sundon Road, Luton, Bedfordshire LU3 3GU

Tel: 01582 578 888 International Tel: +44 1582 578 888 Fax: 01582 578 889 International Fax: +44 1582 578 889

Email: sales@comline.uk.com **Web:** www.comline.uk.com



AUTO PARTS

Product Bulletin

CBP02318 - Brake pad set, disc brake

Buyers Guide

Make/Model	Litre	CC	Engine	HP	Model Year	Fitted Period
BMW 2 Gran Tourer (F46)	2.0	1995	Diesel	150	7/2014 >	
BMW 2 Gran Tourer (F46)	2.0	1998	Petrol	192	7/2014 >	
BMW 2 Gran Tourer (F46)	2.0	1995	Diesel	136	3/2015 >	
BMW 2 Gran Tourer (F46)	2.0	1995	Diesel	150	3/2015 >	
BMW 2 Gran Tourer (F46)	1.5	1499	Petrol	136	7/2014 >	
BMW 2 Gran Tourer (F46)	1.5	1496	Diesel	116	8/2014 >	
BMW i3 (I01)	0.6	647	Hybrid	102	8/2013 >	
BMW i3 (I01)	0.0	0	Electr	170	9/2014 >	
BMW i3 (I01)	0.6	647	Hybrid	170	9/2014 >	
BMW i3 (I01)	0.0	0	Electr	102	8/2013 >	
BMW X1 (F48)	2.0	1995	Diesel	136	11/2014 >	
BMW X1 (F48)	2.0	1995	Diesel	190	1/2015 >	
BMW X1 (F48)	1.5	1496	Diesel	116	11/2014 >	
BMW X1 (F48)	2.0	1995	Diesel	163	1/2015 >	
BMW X1 (F48)	2.0	1995	Diesel	190	11/2014 >	
BMW X1 (F48)	2.0	1995	Diesel	163	11/2014 >	
BMW X1 (F48)	2.0	1995	Diesel	136	11/2014 >	
BMW X1 (F48)	2.0	1998	Petrol	192	11/2014 >	
BMW X1 (F48)	2.0	1998	Petrol	231	11/2014 >	
BMW X1 (F48)	2.0	1995	Diesel	150	11/2014 >	
BMW X1 (F48)	2.0	1995	Diesel	231	11/2014 >	
BMW X1 (F48)	2.0	1998	Petrol	192	11/2014 >	
BMW X1 (F48)	1.5	1499	Petrol	136	11/2014 - 5/2017	
BMW X1 (F48)	2.0	1995	Diesel	150	11/2014 >	
MINI MINI CLUBMAN (F54)	2.0	1995	Diesel	163	4/2015 >	
MINI MINI CLUBMAN (F54)	2.0	1998	Petrol	163	4/2015 >	

Notes:

Manufacturers details are for guidance only. For pricing enquiries please contact our sales team on 01582 578 888

Comline Auto Parts Limited

Unit B1, Luton Enterprise Park, Sundon Road, Luton, Bedfordshire LU3 3GU

Tel: 01582 578 888 International Tel: +44 1582 578 888 Fax: 01582 578 889 International Fax: +44 1582 578 889

Email: sales@comline.uk.com **Web:** www.comline.uk.com



AUTO PARTS

Product Bulletin

CBP02318 - Brake pad set, disc brake

Buyers Guide

Make/Model	Litre	CC	Engine	HP	Model Year	Fitted Period
MINI MINI CLUBMAN (F54)	2.0	1995	Diesel	163	2/2015 >	
MINI MINI CLUBMAN (F54)	2.0	1998	Petrol	163	11/2014 >	
MINI MINI CLUBMAN (F54)	2.0	1998	Petrol	231	11/2015 >	
MINI MINI CLUBMAN (F54)	2.0	1995	Diesel	136	12/2014 >	
MINI MINI CLUBMAN (F54)	1.5	1499	Petrol	136	12/2014 >	
MINI MINI CLUBMAN (F54)	2.0	1998	Petrol	192	4/2015 >	
MINI MINI CLUBMAN (F54)	1.5	1499	Petrol	102	2/2015 >	
MINI MINI CLUBMAN (F54)	1.5	1496	Diesel	116	2/2015 >	
MINI MINI CLUBMAN (F54)	2.0	1995	Diesel	190	2/2015 >	
MINI MINI CLUBMAN (F54)	2.0	1995	Diesel	150	12/2014 >	
MINI MINI CLUBMAN (F54)	2.0	1998	Petrol	192	11/2014 >	
MINI MINI CLUBMAN (F54)	2.0	1995	Diesel	190	4/2015 >	
MINI MINI COUNTRYMAN (F60)	1.5	1499	Hybrid	136	1/2017 >	
MINI MINI COUNTRYMAN (F60)	2.0	1995	Diesel	163	10/2016 >	
MINI MINI COUNTRYMAN (F60)	1.5	1499	Hybrid	224	1/2017 >	
MINI MINI COUNTRYMAN (F60)	2.0	1995	Diesel	136	10/2016 >	
MINI MINI COUNTRYMAN (F60)	2.0	1998	Petrol	163	10/2016 >	
MINI MINI COUNTRYMAN (F60)	2.0	1995	Diesel	163	10/2016 >	
MINI MINI COUNTRYMAN (F60)	2.0	1995	Diesel	136	10/2016 >	
MINI MINI COUNTRYMAN (F60)	1.5	1499	Petrol	136	10/2016 >	
MINI MINI COUNTRYMAN (F60)	1.5	1499	Petrol	136	10/2016 >	
MINI MINI COUNTRYMAN (F60)	2.0	1998	Petrol	192	10/2016 >	
MINI MINI COUNTRYMAN (F60)	2.0	1998	Petrol	192	10/2016 >	
MINI MINI COUNTRYMAN (F60)	2.0	1995	Diesel	150	10/2016 >	
MINI MINI COUNTRYMAN (F60)	2.0	1995	Diesel	150	10/2016 >	
MINI MINI COUNTRYMAN (F60)	2.0	1995	Diesel	190	10/2016 >	

Notes:

Manufacturers details are for guidance only. For pricing enquiries please contact our sales team on 01582 578 888

Comline Auto Parts Limited

Unit B1, Luton Enterprise Park, Sundon Road, Luton, Bedfordshire LU3 3GU

Tel: 01582 578 888 International Tel: +44 1582 578 888 Fax: 01582 578 889 International Fax: +44 1582 578 889

Email: sales@comline.uk.com **Web:** www.comline.uk.com



COMLINE

AUTO PARTS

Product Bulletin

CBP02318 - Brake pad set, disc brake

Buyers Guide

Make/Model	Litre	CC	Engine	HP	Model Year	Fitted Period
MINI MINI COUNTRYMAN (F60)	2.0	1995	Diesel	190	10/2016 >	
MINI MINI COUNTRYMAN (F60)	2.0	1998	Petrol	163	10/2016 >	
MINI MINI COUNTRYMAN (F60)	2.0	1998	Petrol	231	1/2017 >	

Notes:

Manufacturers details are for guidance only. For pricing enquiries please contact our sales team on 01582 578 888

Comline Auto Parts Limited

Unit B1, Luton Enterprise Park, Sundon Road, Luton, Bedfordshire LU3 3GU

Tel: 01582 578 888 International Tel: +44 1582 578 888 Fax: 01582 578 889 International Fax: +44 1582 578 889

Email: sales@comline.uk.com **Web:** www.comline.uk.com