



AUTO PARTS

Product Bulletin

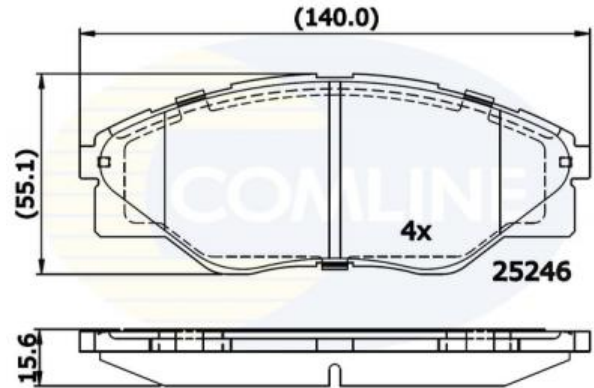
CBP01660 - Brake pad set, disc brake

Vehicles

TOYOTA,

Technical Info

Fitting Position	Front Axle
Length (mm)	140
Part Info	Without Wear Indicator
Thickness (mm)	15.6
Width (mm)	55.1



Cross References

A.B.S.	37937	ABE	C12138ABE	ACDELCO	AC0581718D
APEC	PAD1839	ASHIKA	50-02-2004	ATE	NIR - 14-11-2017
BLUE PRINT	ADT342195	BORG & BECK	BBP2348	BREMBO	P83137
DELPHI	LP2496	DJ PARTS	BP2136	FEBI	NIR-11-01-2018
FRI.TECH.	952	FRI.TECH.	952.0	GIRLING	6135329
HERTH+BUSS	J3602106	ICER	182066	JAPANPARTS	PA-2004AF
JAKOPARTS					
JAPKO	502004	JURATEK	NIR-08-02-2018	KAMOKA	NIR-13-02-2018
KAWE	1466 00	KAWE	146600	LPR	05P1718
MASTER-SPORT	NIR - 17-11-2017	METELLI	22-0936-0	MINTEX	MDB3272
NIPPARTS	N3602149	NK	224598	OPTIMAL	12612

Notes:

Manufacturers details are for guidance only. For pricing enquiries please contact our sales team on 01582 578 888

Comline Auto Parts Limited

Unit B1, Luton Enterprise Park, Sundon Road, Luton, Bedfordshire LU3 3GU

Tel: 01582 578 888 International Tel: +44 1582 578 888 Fax: 01582 578 889 International Fax: +44 1582 578 889

Email: sales@comline.uk.com Web: www.comline.uk.com



AUTO PARTS

Product Bulletin

CBP01660 - Brake pad set, disc brake

Cross References

NIPPARTS	N3602149	NK	224598	OPTIMAL	12612
PAGID	T2178	PROTECHNIC	PRP1604	REMSA	1466.00
ROADHOUSE	21466.00	SBS	1501224598	TEXTAR	2524601
TOYOTA	044650K290	TRISCAN	8110 13114	TRISCAN	811013114
TRUSTING	952	TRUSTING	952.0	TRW	GDB3532
WOKING	P15663.00	WVA	25246	ZIMMERMANN	NIR 25-10-17

Notes:

Manufacturers details are for guidance only. For pricing enquiries please contact our sales team on 01582 578 888

Comline Auto Parts Limited

Unit B1, Luton Enterprise Park, Sundon Road, Luton, Bedfordshire LU3 3GU

Tel: 01582 578 888 International Tel: +44 1582 578 888 Fax: 01582 578 889 International Fax: +44 1582 578 889

Email: sales@comline.uk.com **Web:** www.comline.uk.com



AUTO PARTS

Product Bulletin

CBP01660 - Brake pad set, disc brake

Buyers Guide

Make/Model	Litre	CC	Engine	HP	Model Year	Fitted Period
TOYOTA HILUX (VIGO) VII Pickup (_N1_, _N2_, _N3_)	2.5	2494	Diesel	102	10/2005 >	9/2008 >
TOYOTA HILUX (VIGO) VII Pickup (_N1_, _N2_, _N3_)	2.5	2494	Diesel	120	12/2007 >	9/2008 >
TOYOTA HILUX (VIGO) VII Pickup (_N1_, _N2_, _N3_)	2.5	2494	Diesel	120	12/2007 >	9/2008 >
TOYOTA HILUX (VIGO) VII Pickup (_N1_, _N2_, _N3_)	2.5	2494	Diesel	102	10/2005 >	9/2008 >
TOYOTA HILUX (VIGO) VII Pickup (_N1_, _N2_, _N3_)	2.5	2494	Diesel	144	9/2009 >	
TOYOTA HILUX Platform/Chassis (_N1_, _N2_)	3.0	2982	Diesel	171	2/2005 >	

Notes:

Manufacturers details are for guidance only. For pricing enquiries please contact our sales team on 01582 578 888

Comline Auto Parts Limited

Unit B1, Luton Enterprise Park, Sundon Road, Luton, Bedfordshire LU3 3GU

Tel: 01582 578 888 International Tel: +44 1582 578 888 Fax: 01582 578 889 International Fax: +44 1582 578 889

Email: sales@comline.uk.com **Web:** www.comline.uk.com