



AUTO PARTS

Product Bulletin

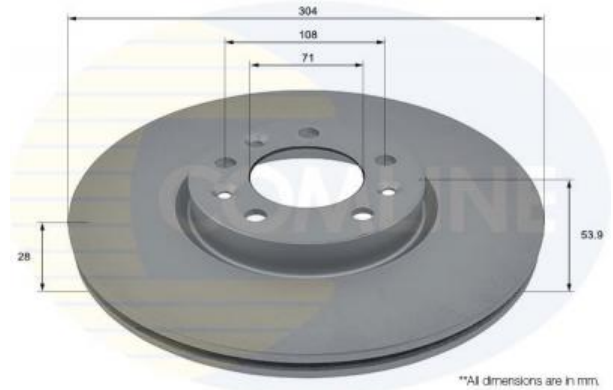
ADC2848V - Brake disc

Vehicles

CITROEN, PEUGEOT, TOYOTA,

Technical Info

| | | | |
|---------------------------|-------------|------------------------|-----|
| Brake Disc Thickness (mm) | 28 | Minimum Thickness (mm) | 26 |
| Brake Disc Type | Vented Disc | Number of Bores | 3 |
| Centering Diameter (mm) | 71 | Number of Holes | 5 |
| Fitting Position | Front Axle | Outer Diameter (mm) | 304 |
| Height (mm) | 53.9 | Pitch Circle | 108 |



*All dimensions are in mm.

Cross References

| | | | | | |
|---------------------|------------------|-------------------|------------------|------------------------|------------------|
| A.B.S. | 18576 | APEC | DSK3341 | ASHIKA | NIR - 30-11-2017 |
| ATE | NIR - 14-11-2017 | BLUE PRINT | NIR - 02-10-2017 | BORG & BECK | BBD6138S |
| BOSCH | 0 986 479 E52 | BREMBO | NIR-11-01-2018 | CITROEN | 98 052 601 80 |
| CITROEN | 9805260180 | DELPHI | BG4805C | FEBI | NIR-11-01-2018 |
| FREMAX | BD-4605 | ICER | NIR-18-01-2018 | JAPKO | NIR-30-01-2018 |
| JURATEK | NIR-08-02-2018 | KAMOKA | NIR-13-02-2018 | LPR | NIR-15-02-2018 |
| MASTER-SPORT | NIR - 17-11-2017 | METELLI | NIR-27-02-2018 | MINTEX | MDC2760 |
| MOTAQUIP | LVBD1849 | NATIONAL | NBD1923 | NIPPARTS | N3302198 |
| OPTIMAL | NIR-14-03-2018 | PAGID | 55872 | PEUGEOT | 98 052 601 80 |
| PEUGEOT | 9805260180 | REMSA | NIR - 02-11-2017 | ROADHOUSE | NIR - 02-11-2017 |

Notes:

Manufacturers details are for guidance only. For pricing enquiries please contact our sales team on 01582 578 888

Comline Auto Parts Limited

Unit B1, Luton Enterprise Park, Sundon Road, Luton, Bedfordshire LU3 3GU

Tel: 01582 578 888 International Tel: +44 1582 578 888 Fax: 01582 578 889 International Fax: +44 1582 578 889

Email: sales@comline.uk.com Web: www.comline.uk.com



AUTO PARTS

Product Bulletin

ADC2848V - Brake disc

Cross References

| | | | | | |
|----------------|------------|-------------------|------------------|------------------|------------------|
| PEUGEOT | 9805260180 | REMSA | NIR - 02-11-2017 | ROADHOUSE | NIR - 02-11-2017 |
| TEXTAR | 92287203 | ZIMMERMANN | 180.3033.20 | | |

Notes:

Manufacturers details are for guidance only. For pricing enquiries please contact our sales team on 01582 578 888

Comline Auto Parts Limited

Unit B1, Luton Enterprise Park, Sundon Road, Luton, Bedfordshire LU3 3GU

Tel: 01582 578 888 International Tel: +44 1582 578 888 Fax: 01582 578 889 International Fax: +44 1582 578 889

Email: sales@comline.uk.com **Web:** www.comline.uk.com



AUTO PARTS

Product Bulletin

ADC2848V - Brake disc

Buyers Guide

| Make/Model | Litre | CC | Engine | HP | Model Year | Fitted Period |
|--------------------------------------|-------|------|--------|-----|------------|---------------|
| CITROEN DISPATCH (V_) | 1.6 | 1560 | Diesel | 95 | 4/2016 > | |
| CITROEN DISPATCH (V_) | 2.0 | 1997 | Diesel | 177 | 4/2016 > | |
| CITROEN DISPATCH (V_) | 2.0 | 1997 | Diesel | 150 | 4/2016 > | |
| CITROEN DISPATCH (V_) | 2.0 | 1997 | Diesel | 122 | 4/2016 > | |
| CITROEN DISPATCH (V_) | 1.6 | 1560 | Diesel | 115 | 4/2016 > | |
| CITROEN DISPATCH (V_) | 1.6 | 1560 | Diesel | 95 | 4/2016 > | |
| CITROEN DISPATCH (V_) | 2.0 | 1997 | Diesel | 178 | 4/2016 > | |
| CITROEN DISPATCH (V_) | 2.0 | 1997 | Diesel | 150 | 4/2016 > | |
| CITROEN DISPATCH (V_) | 1.6 | 1560 | Diesel | 115 | 4/2016 > | |
| CITROEN DISPATCH Box (V_) | 2.0 | 1997 | Diesel | 177 | 4/2016 > | |
| CITROEN DISPATCH Box (V_) | 2.0 | 1997 | Diesel | 150 | 4/2016 > | |
| CITROEN DISPATCH Box (V_) | 2.0 | 1997 | Diesel | 122 | 4/2016 > | |
| CITROEN DISPATCH Box (V_) | 1.6 | 1560 | Diesel | 115 | 4/2016 > | |
| CITROEN DISPATCH Box (V_) | 1.6 | 1560 | Diesel | 95 | 4/2016 > | |
| CITROEN JUMPY Platform/Chassis (V_) | 1.6 | 1560 | Diesel | 95 | 9/2016 > | |
| CITROEN JUMPY Platform/Chassis (V_) | 2.0 | 1997 | Diesel | 122 | 9/2016 > | |
| CITROEN JUMPY Platform/Chassis (V_) | 2.0 | 1997 | Diesel | 150 | 9/2016 > | |
| PEUGEOT EXPERT (V_) | 1.6 | 1560 | Diesel | 115 | 4/2016 > | |
| PEUGEOT EXPERT Box (V_) | 2.0 | 1997 | Diesel | 178 | 4/2016 > | |
| PEUGEOT EXPERT Box (V_) | 2.0 | 1997 | Diesel | 150 | 4/2016 > | |
| PEUGEOT EXPERT Box (V_) | 2.0 | 1997 | Diesel | 122 | 4/2016 > | |
| PEUGEOT EXPERT Box (V_) | 1.6 | 1560 | Diesel | 115 | 4/2016 > | |
| PEUGEOT EXPERT Box (V_) | 1.6 | 1560 | Diesel | 95 | 4/2016 > | |
| PEUGEOT EXPERT Platform/Chassis (V_) | 1.6 | 1560 | Diesel | 95 | 9/2016 > | |
| PEUGEOT EXPERT Platform/Chassis (V_) | 2.0 | 1997 | Diesel | 122 | 9/2016 > | |
| PEUGEOT EXPERT Platform/Chassis (V_) | 2.0 | 1997 | Diesel | 150 | 9/2016 > | |

Notes:

Manufacturers details are for guidance only. For pricing enquiries please contact our sales team on 01582 578 888

Comline Auto Parts Limited

Unit B1, Luton Enterprise Park, Sundon Road, Luton, Bedfordshire LU3 3GU

Tel: 01582 578 888 International Tel: +44 1582 578 888 Fax: 01582 578 889 International Fax: +44 1582 578 889

Email: sales@comline.uk.com **Web:** www.comline.uk.com



AUTO PARTS

Product Bulletin

ADC2848V - Brake disc

Buyers Guide

| Make/Model | Litre | CC | Engine | HP | Model Year | Fitted Period |
|---------------------------------------|-------|------|--------|-----|------------|---------------|
| PEUGEOT TRAVELLER (V_) | 2.0 | 1997 | Diesel | 178 | 4/2016 > | |
| PEUGEOT TRAVELLER (V_) | 2.0 | 1997 | Diesel | 150 | 4/2016 > | |
| PEUGEOT TRAVELLER (V_) | 1.6 | 1560 | Diesel | 115 | 4/2016 > | |
| PEUGEOT TRAVELLER (V_) | 1.6 | 1560 | Diesel | 95 | 4/2016 > | |
| TOYOTA PROACE Box (MDZ_) | 2.0 | 1997 | Diesel | 177 | 2/2016 > | |
| TOYOTA PROACE Box (MDZ_) | 2.0 | 1997 | Diesel | 122 | 2/2016 > | |
| TOYOTA PROACE Box (MDZ_) | 2.0 | 1997 | Diesel | 150 | 2/2016 > | |
| TOYOTA PROACE Box (MDZ_) | 1.6 | 1560 | Diesel | 116 | 2/2016 > | |
| TOYOTA PROACE Box (MDZ_) | 1.6 | 1560 | Diesel | 95 | 2/2016 > | |
| TOYOTA PROACE Bus (MPY_) | 2.0 | 1997 | Diesel | 150 | 2/2016 > | |
| TOYOTA PROACE Bus (MPY_) | 1.6 | 1560 | Diesel | 116 | 2/2016 > | |
| TOYOTA PROACE Bus (MPY_) | 1.6 | 1560 | Diesel | 95 | 2/2016 > | |
| TOYOTA PROACE Bus (MPY_) | 2.0 | 1997 | Diesel | 177 | 2/2016 > | |
| TOYOTA PROACE Platform/Chassis (MDZ_) | 2.0 | 1997 | Diesel | 150 | 2/2016 > | |
| TOYOTA PROACE VERSO (MPY_) | 1.6 | 1560 | Diesel | 116 | 2/2016 > | |
| TOYOTA PROACE VERSO (MPY_) | 2.0 | 1997 | Diesel | 150 | 2/2016 > | |
| TOYOTA PROACE VERSO (MPY_) | 2.0 | 1997 | Diesel | 177 | 2/2016 > | |

Notes:

Manufacturers details are for guidance only. For pricing enquiries please contact our sales team on 01582 578 888

Comline Auto Parts Limited

Unit B1, Luton Enterprise Park, Sundon Road, Luton, Bedfordshire LU3 3GU

Tel: 01582 578 888 International Tel: +44 1582 578 888 Fax: 01582 578 889 International Fax: +44 1582 578 889

Email: sales@comline.uk.com **Web:** www.comline.uk.com