



AUTO PARTS

Product Bulletin

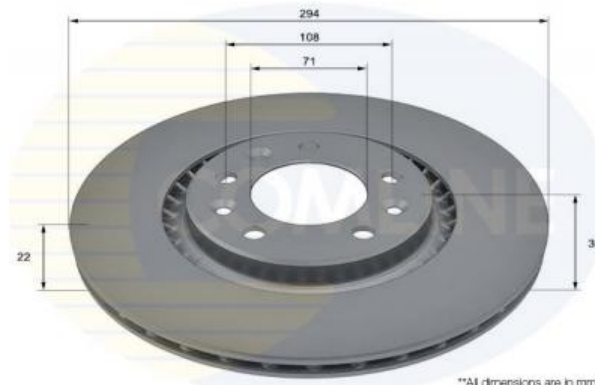
ADC2847V - Brake disc

Vehicles

CITROEN, PEUGEOT, TOYOTA,

Technical Info

Brake Disc Thickness (mm)	22	Minimum Thickness (mm)	20
Brake Disc Type	Vented Disc	Number of Bores	3
Centering Diameter (mm)	71	Number of Holes	5
Fitting Position	Rear Axle	Outer Diameter (mm)	294
Height (mm)	35	Pitch Circle	108



*All dimensions are in mm.

Cross References

A.B.S.	18577	APEC	DSK3335	ASHIKA	NIR - 30-11-2017
ATE	NIR - 14-11-2017	BLUE PRINT	NIR - 02-10-2017	BORG & BECK	BBD5469
BREMBO	NIR-11-01-2018	CITROEN	16 163 945 80	CITROEN	1616394580
DELPHI	BG4806C	FEBI	NIR-11-01-2018	FREMAX	BD-4606
ICER	NIR-18-01-2018	JAPKO	NIR-30-01-2018	JURATEK	NIR-08-02-2018
KAMOKA	NIR-13-02-2018	LPR	NIR-15-02-2018	MASTER-SPORT	NIR - 17-11-2017
METELLI	NIR-27-02-2018	MINTEX	MDC2759	MOTAQUIP	LVBD1848
NATIONAL	NBD1925	NIPPARTS	N3312086	OPTIMAL	NIR-14-03-2018
PAGID	55871	PEUGEOT	16 163 945 80	PEUGEOT	1616394580
PROTECHNIC	PRD6314	REMSA	NIR - 02-11-2017	ROADHOUSE	NIR - 02-11-2017

Notes:

Manufacturers details are for guidance only. For pricing enquiries please contact our sales team on 01582 578 888

Comline Auto Parts Limited

Unit B1, Luton Enterprise Park, Sundon Road, Luton, Bedfordshire LU3 3GU

Tel: 01582 578 888 International Tel: +44 1582 578 888 Fax: 01582 578 889 International Fax: +44 1582 578 889

Email: sales@comline.uk.com **Web:** www.comline.uk.com



AUTO PARTS

Product Bulletin

ADC2847V - Brake disc

Cross References

PROTECHNIC	PRD6314	REMSA	NIR - 02-11-2017	ROADHOUSE	NIR - 02-11-2017
TEXTAR	92287103	ZIMMERMANN	180.3034.20		

Notes:

Manufacturers details are for guidance only. For pricing enquiries please contact our sales team on 01582 578 888

Comline Auto Parts Limited

Unit B1, Luton Enterprise Park, Sundon Road, Luton, Bedfordshire LU3 3GU

Tel: 01582 578 888 International Tel: +44 1582 578 888 Fax: 01582 578 889 International Fax: +44 1582 578 889

Email: sales@comline.uk.com **Web:** www.comline.uk.com



AUTO PARTS

Product Bulletin

ADC2847V - Brake disc

Buyers Guide

Make/Model	Litre	CC	Engine	HP	Model Year	Fitted Period
CITROEN DISPATCH	1.6	1560	Diesel	95	4/2016 >	
CITROEN DISPATCH	1.6	1560	Diesel	115	4/2016 >	
CITROEN DISPATCH	2.0	1997	Diesel	150	4/2016 >	
CITROEN DISPATCH	2.0	1997	Diesel	178	4/2016 >	
CITROEN DISPATCH	2.0	1997	Diesel	122	4/2016 >	
CITROEN DISPATCH (VA_, VE_)	1.6	1560	Diesel	115	4/2016 >	
CITROEN DISPATCH (VA_, VE_)	2.0	1997	Diesel	150	4/2016 >	
CITROEN DISPATCH (VA_, VE_)	2.0	1997	Diesel	177	4/2016 >	
CITROEN DISPATCH (VA_, VE_)	1.6	1560	Diesel	95	4/2016 >	
CITROEN DISPATCH Box	2.0	1997	Diesel	177	4/2016 >	
CITROEN DISPATCH Box	1.6	1560	Diesel	95	4/2016 >	
CITROEN DISPATCH Box	1.6	1560	Diesel	115	4/2016 >	
CITROEN DISPATCH Box	2.0	1997	Diesel	122	4/2016 >	
CITROEN DISPATCH Box	2.0	1997	Diesel	150	4/2016 >	
CITROEN JUMPY Platform/Chassis	2.0	1997	Diesel	122	9/2016 >	
CITROEN JUMPY Platform/Chassis	1.6	1560	Diesel	95	9/2016 >	
CITROEN JUMPY Platform/Chassis	2.0	1997	Diesel	150	9/2016 >	
PEUGEOT EXPERT	1.6	1560	Diesel	115	4/2016 >	
PEUGEOT EXPERT Box	2.0	1997	Diesel	178	4/2016 >	
PEUGEOT EXPERT Box	2.0	1997	Diesel	150	4/2016 >	
PEUGEOT EXPERT Box	2.0	1997	Diesel	122	4/2016 >	
PEUGEOT EXPERT Box	1.6	1560	Diesel	115	4/2016 >	
PEUGEOT EXPERT Box	1.6	1560	Diesel	95	4/2016 >	
PEUGEOT EXPERT Platform/Chassis	2.0	1997	Diesel	122	9/2016 >	
PEUGEOT EXPERT Platform/Chassis	2.0	1997	Diesel	150	9/2016 >	
PEUGEOT EXPERT Platform/Chassis	1.6	1560	Diesel	95	9/2016 >	

Notes:

Manufacturers details are for guidance only. For pricing enquiries please contact our sales team on 01582 578 888

Comline Auto Parts Limited

Unit B1, Luton Enterprise Park, Sundon Road, Luton, Bedfordshire LU3 3GU

Tel: 01582 578 888 International Tel: +44 1582 578 888 Fax: 01582 578 889 International Fax: +44 1582 578 889

Email: sales@comline.uk.com **Web:** www.comline.uk.com



AUTO PARTS

Product Bulletin

ADC2847V - Brake disc

Buyers Guide

Make/Model	Litre	CC	Engine	HP	Model Year	Fitted Period
PEUGEOT TRAVELLER	2.0	1997	Diesel	178	4/2016 >	
PEUGEOT TRAVELLER	1.6	1560	Diesel	115	4/2016 >	
PEUGEOT TRAVELLER	1.6	1560	Diesel	95	4/2016 >	
PEUGEOT TRAVELLER	2.0	1997	Diesel	150	4/2016 >	
TOYOTA PROACE Box (MDZ_)	2.0	1997	Diesel	177	2/2016 >	
TOYOTA PROACE Box (MDZ_)	2.0	1997	Diesel	122	2/2016 >	
TOYOTA PROACE Box (MDZ_)	2.0	1997	Diesel	150	2/2016 >	
TOYOTA PROACE Box (MDZ_)	1.6	1560	Diesel	116	2/2016 >	
TOYOTA PROACE Box (MDZ_)	1.6	1560	Diesel	95	2/2016 >	
TOYOTA PROACE Bus (MPY_)	2.0	1997	Diesel	150	2/2016 >	
TOYOTA PROACE Bus (MPY_)	1.6	1560	Diesel	95	2/2016 >	
TOYOTA PROACE Bus (MPY_)	1.6	1560	Diesel	116	2/2016 >	
TOYOTA PROACE Bus (MPY_)	2.0	1997	Diesel	177	2/2016 >	
TOYOTA PROACE Platform/Chassis (MDZ_)	2.0	1997	Diesel	150	2/2016 >	
TOYOTA PROACE VERSO (MPY_)	1.6	1560	Diesel	116	2/2016 >	
TOYOTA PROACE VERSO (MPY_)	2.0	1997	Diesel	150	2/2016 >	
TOYOTA PROACE VERSO (MPY_)	2.0	1997	Diesel	177	2/2016 >	

Notes:

Manufacturers details are for guidance only. For pricing enquiries please contact our sales team on 01582 578 888

Comline Auto Parts Limited

Unit B1, Luton Enterprise Park, Sundon Road, Luton, Bedfordshire LU3 3GU

Tel: 01582 578 888 International Tel: +44 1582 578 888 Fax: 01582 578 889 International Fax: +44 1582 578 889

Email: sales@comline.uk.com **Web:** www.comline.uk.com