



**AUTO PARTS**

# Product Bulletin

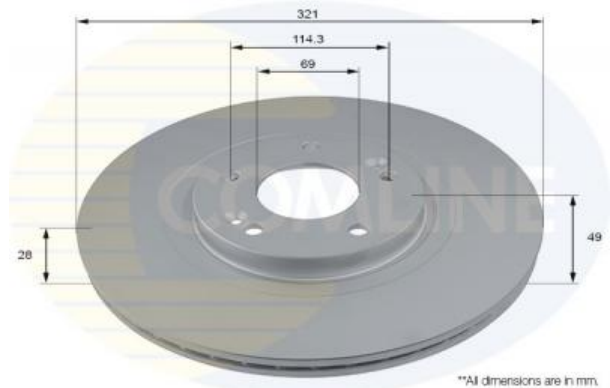
## ADC2845V - Brake disc

### Vehicles

HYUNDAI, KIA,

### Technical Info

<b>Brake Disc Thickness (mm)</b>	28	<b>Minimum Thickness (mm)</b>	26.4
<b>Brake Disc Type</b>	Vented Disc	<b>Number of Bores</b>	2
<b>Centering Diameter (mm)</b>	69	<b>Number of Holes</b>	5
<b>Fitting Position</b>	Front Axle	<b>Outer Diameter (mm)</b>	321
<b>Height (mm)</b>	49	<b>Pitch Circle</b>	114.3



\*All dimensions are in mm.

### Cross References

<b>A.B.S.</b>	NIR-03-07-2018	<b>ASHIKA</b>	NIR - 30-11-2017	<b>ATE</b>	NIR - 14-11-2017
<b>BLUE PRINT</b>	NIR - 02-10-2017	<b>BORG &amp; BECK</b>	BBD6065S	<b>BREMBO</b>	NIR-11-01-2018
<b>FEBI</b>	NIR-11-01-2018	<b>HYUNDAI</b>	517122P700	<b>ICER</b>	NIR-18-01-2018
<b>JAPKO</b>	60H19	<b>JURATEK</b>	NIR-08-02-2018	<b>KAMOKA</b>	NIR-13-02-2018
<b>KIA</b>	517122P700	<b>KIA</b>	517122W700	<b>LPR</b>	NIR-15-02-2018
<b>MASTER-SPORT</b>	NIR - 17-11-2017	<b>METELLI</b>	23-0900C	<b>MINTEX</b>	MDC2390
<b>OPTIMAL</b>	BS-9222	<b>REMSA</b>	NIR - 02-11-2017	<b>ROADHOUSE</b>	NIR - 02-11-2017
<b>ZIMMERMANN</b>	285.3516.20				

### Notes:

Manufacturers details are for guidance only. For pricing enquiries please contact our sales team on 01582 578 888

### Comline Auto Parts Limited

Unit B1, Luton Enterprise Park, Sundon Road, Luton, Bedfordshire LU3 3GU

Tel: 01582 578 888 International Tel: +44 1582 578 888 Fax: 01582 578 889 International Fax: +44 1582 578 889

**Email:** [sales@comline.uk.com](mailto:sales@comline.uk.com) **Web:** [www.comline.uk.com](http://www.comline.uk.com)



**AUTO PARTS**

# Product Bulletin

## ADC2845V - Brake disc

### Buyers Guide

Make/Model	Litre	CC	Engine	HP	Model Year	Fitted Period
HYUNDAI GRAND SANTA FÉ	2.2	2199	Diesel	200	10/2015 >	
HYUNDAI SANTA FÉ II (CM)	2.7	2657	Petrol	170	3/2006 - 12/2012	10/2010 >
HYUNDAI SANTA FÉ II (CM)	2.0	1991	Diesel	115	3/2006 - 12/2012	
HYUNDAI SANTA FÉ II (CM)	2.0	1995	Diesel	184	3/2006 - 12/2012	
HYUNDAI SANTA FÉ II (CM)	2.0	1995	Diesel	150	12/2010 - 12/2012	
HYUNDAI SANTA FÉ II (CM)	2.4	2359	Petrol	174	11/2010 - 12/2012	
HYUNDAI SANTA FÉ II (CM)	2.0	1995	Diesel	150	12/2010 - 12/2012	
HYUNDAI SANTA FÉ II (CM)	2.2	2199	Diesel	197	1/2009 - 12/2012	10/2010 >
HYUNDAI SANTA FÉ II (CM)	2.2	2199	Diesel	197	1/2009 - 12/2012	10/2010 >
HYUNDAI SANTA FÉ II (CM)	2.2	2188	Diesel	155	3/2006 - 12/2009	
HYUNDAI SANTA FÉ II (CM)	2.7	2656	Petrol	189	3/2006 - 12/2009	
HYUNDAI SANTA FÉ II (CM)	2.2	2188	Diesel	139	3/2006 - 12/2012	10/2010 >
HYUNDAI SANTA FÉ II (CM)	2.7	2656	Petrol	189	3/2006 - 12/2009	
HYUNDAI SANTA FÉ II (CM)	2.2	2188	Diesel	150	3/2006 - 12/2009	
HYUNDAI SANTA FÉ II (CM)	2.7	2657	Petrol	170	3/2006 - 12/2012	10/2010 >
HYUNDAI SANTA FÉ II (CM)	2.2	2188	Diesel	150	3/2006 - 12/2009	
HYUNDAI SANTA FÉ II (CM)	2.2	2188	Diesel	155	3/2006 - 12/2009	
HYUNDAI SANTA FÉ II (CM)	2.2	2188	Diesel	139	3/2006 - 12/2012	10/2010 >
HYUNDAI SANTA FÉ III (DM)	2.2	2199	Diesel	200	10/2015 >	
HYUNDAI SANTA FÉ III (DM)	2.4	2359	Petrol	188	5/2015 >	
HYUNDAI SANTA FÉ III (DM)	2.4	2359	Petrol	188	5/2015 >	
HYUNDAI SANTA FÉ III (DM)	2.2	2199	Diesel	200	10/2015 >	
HYUNDAI SANTA FÉ III (DM)	2.0	1995	Diesel	185	5/2015 >	
KIA SORENTO II (XM)	2.0	1995	Diesel	150	11/2010 >	> 6/2012
KIA SORENTO II (XM)	2.0	1995	Diesel	150	11/2010 >	> 6/2012
KIA SORENTO II (XM)	2.2	2199	Diesel	197	11/2009 >	> 6/2012

#### Notes:

Manufacturers details are for guidance only. For pricing enquiries please contact our sales team on 01582 578 888

#### Comline Auto Parts Limited

Unit B1, Luton Enterprise Park, Sundon Road, Luton, Bedfordshire LU3 3GU

Tel: 01582 578 888 International Tel: +44 1582 578 888 Fax: 01582 578 889 International Fax: +44 1582 578 889

**Email:** [sales@comline.uk.com](mailto:sales@comline.uk.com) **Web:** [www.comline.uk.com](http://www.comline.uk.com)



**COMLINE**

**AUTO PARTS**

# Product Bulletin

ADC2845V - Brake disc

## Buyers Guide

Make/Model	Litre	CC	Engine	HP	Model Year	Fitted Period
KIA SORENTO II (XM)	2.2	2199	Diesel	197	11/2009 >	> 6/2012
KIA SORENTO II (XM)	2.4	2359	Petrol	174	11/2009 >	> 6/2012
KIA SORENTO II (XM)	2.4	2359	Petrol	174	11/2009 >	> 6/2012
KIA SORENTO III (UM)	2.2	2199	Diesel	200	1/2015 >	
KIA SORENTO III (UM)	2.2	2199	Diesel	200	1/2015 >	

### Notes:

Manufacturers details are for guidance only. For pricing enquiries please contact our sales team on 01582 578 888

### Comline Auto Parts Limited

Unit B1, Luton Enterprise Park, Sundon Road, Luton, Bedfordshire LU3 3GU

Tel: 01582 578 888 International Tel: +44 1582 578 888 Fax: 01582 578 889 International Fax: +44 1582 578 889

**Email:** [sales@comline.uk.com](mailto:sales@comline.uk.com) **Web:** [www.comline.uk.com](http://www.comline.uk.com)