



AUTO PARTS

Product Bulletin

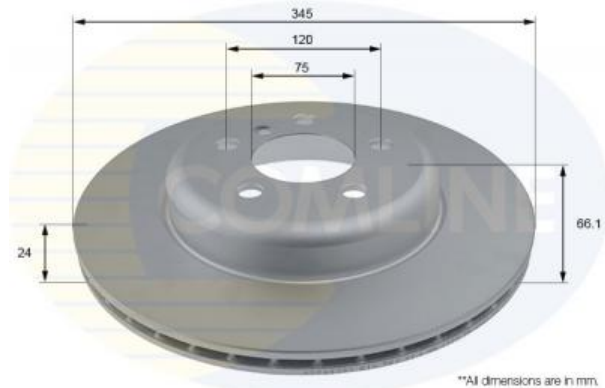
ADC2838V - Brake disc

Vehicles

BMW,

Technical Info

Brake Disc Thickness (mm)	24	Minimum Thickness (mm)	22.4
Brake Disc Type	Vented Disc	Number of Bores	1
Centering Diameter (mm)	75	Number of Holes	5
Fitting Position	Rear Axle	Outer Diameter (mm)	345
Height (mm)	66.1	Pitch Circle	120



**All dimensions are in mm.

Cross References

A.B.S.	18450	AP	25573 Z	ASHIKA	NIR - 30-11-2017
ATE	24.0124-0251.2	BLUE PRINT	NIR - 02-10-2017	BMW	34206797607
BORG & BECK	NIR - 14-12-2017	BRECO	BZ 9183	BREMBO	09.C401.13
CAR	142.1849	DELPHI	BG4752C	FEBI	NIR-11-01-2018
FERODO	DDF2480C	FREMAX	BD-3572	ICER	NIR-18-01-2018
JAPKO	NIR-30-01-2018	JURATEK	NIR-08-02-2018	JURID	563134JC
KAMOKA	NIR-13-02-2018	LPR	B2098VBR	MASTER-SPORT	NIR - 17-11-2017
METELLI	NIR-27-02-2018	MEYLE	383 523 1006/PD	MINTEX	MDCB2579
MOTAQUIP	LVBD1759	OPEN PARTS	BDR2766.20	OPTIMAL	NIR-14-03-2018
PAGID	65148	PROTECHNIC	PRD6296	REMSA	61652.10

Notes:

Manufacturers details are for guidance only. For pricing enquiries please contact our sales team on 01582 578 888

Comline Auto Parts Limited

Unit B1, Luton Enterprise Park, Sundon Road, Luton, Bedfordshire LU3 3GU

Tel: 01582 578 888 International Tel: +44 1582 578 888 Fax: 01582 578 889 International Fax: +44 1582 578 889

Email: sales@comline.uk.com **Web:** www.comline.uk.com



COMLINE

AUTO PARTS

Product Bulletin

ADC2838V - Brake disc

Cross References

PAGID	65148	PROTECHNIC	PRD6296	REMSA	61652.10
ROADHOUSE	61652.10	TEXTAR	92265625	TRW	DF6607S
VAICO	V20-80022	WOKING	D61652.10	ZIMMERMANN	150.2919.20
ZIMMERMANN	150.2919.32				

Notes:

Manufacturers details are for guidance only. For pricing enquiries please contact our sales team on 01582 578 888

Comline Auto Parts Limited

Unit B1, Luton Enterprise Park, Sundon Road, Luton, Bedfordshire LU3 3GU

Tel: 01582 578 888 International Tel: +44 1582 578 888 Fax: 01582 578 889 International Fax: +44 1582 578 889

Email: sales@comline.uk.com **Web:** www.comline.uk.com



AUTO PARTS

Product Bulletin

ADC2838V - Brake disc

Buyers Guide

Make/Model	Litre	CC	Engine	HP	Model Year	Fitted Period
BMW 3 (F30, F80)	2.0	1995	Diesel	224	4/2015 >	
BMW 3 (F30, F80)	2.0	1998	Petrol	252	9/2014 >	
BMW 3 (F30, F80)	2.0	1998	Petrol	252	10/2014 >	
BMW 3 (F30, F80)	3.0	2998	Petrol	326	10/2014 >	
BMW 3 (F30, F80)	3.0	2998	Petrol	326	10/2014 >	
BMW 3 (F30, F80)	2.0	1995	Diesel	150	11/2014 >	
BMW 3 (F30, F80)	2.0	1995	Diesel	190	10/2014 >	
BMW 3 (F30, F80)	2.0	1998	Petrol	184	9/2014 >	
BMW 3 (F30, F80)	2.0	1998	Petrol	184	9/2014 >	
BMW 3 (F30, F80)	3.0	2993	Diesel	286	1/2012 >	
BMW 3 (F30, F80)	3.0	2993	Diesel	286	1/2012 >	
BMW 3 (F30, F80)	2.0	1998	Hybrid	252	2/2015 >	
BMW 3 (F30, F80)	2.0	1998	Hybrid	184	2/2015 >	
BMW 3 (F30, F80)	3.0	2998	Petrol	360	10/2014 >	
BMW 3 (F30, F80)	3.0	2998	Petrol	360	10/2014 >	
BMW 3 (F30, F80)	3.0	2979	Petrol	340	7/2013 >	
BMW 3 (F30, F80)	3.0	2979	Petrol	340	7/2013 >	
BMW 3 (F30, F80)	2.0	1997	Petrol	245	4/2011 - 7/2016	
BMW 3 (F30, F80)	3.0	2979	Petrol	306	4/2011 - 7/2015	
BMW 3 (F30, F80)	2.0	1997	Petrol	184	5/2011 - 6/2015	
BMW 3 (F30, F80)	2.0	1995	Diesel	184	10/2011 - 7/2015	
BMW 3 (F30, F80)	2.0	1997	Petrol	245	5/2011 - 7/2016	
BMW 3 (F30, F80)	3.0	2979	Petrol	306	5/2011 - 7/2015	
BMW 3 (F30, F80)	3.0	2979	Hybrid	340	11/2011 - 5/2015	
BMW 3 (F30, F80)	3.0	2979	Hybrid	306	11/2011 - 5/2015	
BMW 3 (F30, F80)	3.0	2993	Diesel	258	1/2012 >	

Notes:

Manufacturers details are for guidance only. For pricing enquiries please contact our sales team on 01582 578 888

Comline Auto Parts Limited

Unit B1, Luton Enterprise Park, Sundon Road, Luton, Bedfordshire LU3 3GU

Tel: 01582 578 888 International Tel: +44 1582 578 888 Fax: 01582 578 889 International Fax: +44 1582 578 889

Email: sales@comline.uk.com **Web:** www.comline.uk.com



AUTO PARTS

Product Bulletin

ADC2838V - Brake disc

Buyers Guide

Make/Model	Litre	CC	Engine	HP	Model Year	Fitted Period
BMW 3 (F30, F80)	3.0	2979	Petrol	326	4/2011 - 7/2013	
BMW 3 (F30, F80)	3.0	2979	Petrol	326	4/2011 - 7/2013	
BMW 3 (F30, F80)	2.0	1995	Diesel	200	5/2011 - 6/2015	
BMW 3 (F30, F80)	3.0	2993	Diesel	313	11/2012 >	
BMW 3 (F30, F80)	2.0	1995	Diesel	143	11/2012 - 5/2015	
BMW 3 (F30, F80)	3.0	2993	Diesel	258	1/2012 >	
BMW 3 Gran Turismo (F34)	3.0	2993	Diesel	286	1/2014 >	
BMW 3 Gran Turismo (F34)	3.0	2993	Diesel	286	1/2014 >	
BMW 3 Gran Turismo (F34)	2.0	1995	Diesel	190	7/2015 >	
BMW 3 Gran Turismo (F34)	2.0	1995	Diesel	190	7/2015 >	
BMW 3 Gran Turismo (F34)	2.0	1995	Diesel	150	7/2015 >	
BMW 3 Gran Turismo (F34)	2.0	1995	Diesel	200	5/2013 - 7/2015	
BMW 3 Gran Turismo (F34)	2.0	1998	Petrol	252	10/2015 >	
BMW 3 Gran Turismo (F34)	2.0	1998	Petrol	252	10/2015 >	
BMW 3 Gran Turismo (F34)	3.0	2998	Petrol	326	10/2015 >	
BMW 3 Gran Turismo (F34)	3.0	2998	Petrol	326	10/2015 >	
BMW 3 Gran Turismo (F34)	2.0	1998	Petrol	184	9/2015 >	
BMW 3 Gran Turismo (F34)	2.0	1998	Petrol	184	10/2015 >	
BMW 3 Gran Turismo (F34)	2.0	1995	Diesel	224	7/2016 >	
BMW 3 Gran Turismo (F34)	3.0	2998	Petrol	360	9/2015 >	
BMW 3 Gran Turismo (F34)	3.0	2998	Petrol	360	9/2015 >	
BMW 3 Gran Turismo (F34)	3.0	2979	Petrol	340	3/2014 >	
BMW 3 Gran Turismo (F34)	3.0	2979	Petrol	340	7/2013 >	
BMW 3 Gran Turismo (F34)	3.0	2979	Petrol	326	3/2013 - 3/2014	
BMW 3 Gran Turismo (F34)	2.0	1997	Petrol	184	7/2012 - 6/2016	
BMW 3 Gran Turismo (F34)	2.0	1997	Petrol	245	8/2012 - 2/2015	

Notes:

Manufacturers details are for guidance only. For pricing enquiries please contact our sales team on 01582 578 888

Comline Auto Parts Limited

Unit B1, Luton Enterprise Park, Sundon Road, Luton, Bedfordshire LU3 3GU

Tel: 01582 578 888 International Tel: +44 1582 578 888 Fax: 01582 578 889 International Fax: +44 1582 578 889

Email: sales@comline.uk.com **Web:** www.comline.uk.com



AUTO PARTS

Product Bulletin

ADC2838V - Brake disc

Buyers Guide

Make/Model	Litre	CC	Engine	HP	Model Year	Fitted Period
BMW 3 Gran Turismo (F34)	3.0	2979	Petrol	306	3/2013 >	
BMW 3 Gran Turismo (F34)	2.0	1995	Diesel	143	3/2013 >	
BMW 3 Gran Turismo (F34)	2.0	1995	Diesel	184	3/2013 - 7/2015	
BMW 3 Gran Turismo (F34)	2.0	1997	Petrol	245	3/2013 - 7/2016	
BMW 3 Gran Turismo (F34)	3.0	2979	Petrol	306	3/2013 >	
BMW 3 Gran Turismo (F34)	2.0	1995	Diesel	218	3/2013 >	
BMW 3 Gran Turismo (F34)	2.0	1997	Petrol	184	11/2012 - 6/2016	
BMW 3 Gran Turismo (F34)	3.0	2979	Petrol	326	3/2013 - 3/2014	
BMW 3 Gran Turismo (F34)	2.0	1995	Diesel	200	5/2013 - 7/2015	
BMW 3 Gran Turismo (F34)	3.0	2993	Diesel	313	1/2014 >	
BMW 3 Gran Turismo (F34)	3.0	2993	Diesel	258	1/2014 >	
BMW 3 Gran Turismo (F34)	3.0	2993	Diesel	258	1/2014 >	
BMW 3 Gran Turismo (F34)	2.0	1995	Diesel	184	3/2013 - 7/2015	
BMW 3 Touring (F31)	2.0	1995	Diesel	150	9/2014 >	
BMW 3 Touring (F31)	3.0	2998	Petrol	326	10/2014 >	
BMW 3 Touring (F31)	3.0	2998	Petrol	326	10/2014 >	
BMW 3 Touring (F31)	2.0	1998	Petrol	252	10/2014 >	
BMW 3 Touring (F31)	2.0	1998	Petrol	252	9/2014 >	
BMW 3 Touring (F31)	1.5	1499	Petrol	136	1/2015 >	
BMW 3 Touring (F31)	3.0	2979	Petrol	340	7/2013 - 6/2015	
BMW 3 Touring (F31)	2.0	1995	Diesel	150	3/2015 >	
BMW 3 Touring (F31)	2.0	1995	Diesel	190	9/2014 >	
BMW 3 Touring (F31)	2.0	1995	Diesel	190	7/2015 >	
BMW 3 Touring (F31)	2.0	1998	Petrol	184	10/2014 >	
BMW 3 Touring (F31)	2.0	1998	Petrol	184	9/2014 >	
BMW 3 Touring (F31)	3.0	2993	Diesel	286	1/2012 >	

Notes:

Manufacturers details are for guidance only. For pricing enquiries please contact our sales team on 01582 578 888

Comline Auto Parts Limited

Unit B1, Luton Enterprise Park, Sundon Road, Luton, Bedfordshire LU3 3GU

Tel: 01582 578 888 International Tel: +44 1582 578 888 Fax: 01582 578 889 International Fax: +44 1582 578 889

Email: sales@comline.uk.com **Web:** www.comline.uk.com



AUTO PARTS

Product Bulletin

ADC2838V - Brake disc

Buyers Guide

Make/Model	Litre	CC	Engine	HP	Model Year	Fitted Period
BMW 3 Touring (F31)	3.0	2993	Diesel	286	6/2012 >	
BMW 3 Touring (F31)	3.0	2998	Petrol	360	10/2014 >	
BMW 3 Touring (F31)	3.0	2998	Petrol	360	10/2014 >	
BMW 3 Touring (F31)	2.0	1995	Diesel	224	4/2015 >	
BMW 3 Touring (F31)	3.0	2979	Petrol	340	7/2013 - 6/2015	
BMW 3 Touring (F31)	3.0	2979	Petrol	326	7/2012 - 7/2013	
BMW 3 Touring (F31)	2.0	1997	Petrol	184	2/2012 - 6/2015	
BMW 3 Touring (F31)	2.0	1997	Petrol	245	1/2012 - 6/2015	
BMW 3 Touring (F31)	2.0	1995	Diesel	184	7/2011 - 2/2016	
BMW 3 Touring (F31)	3.0	2993	Diesel	258	1/2012 >	
BMW 3 Touring (F31)	2.0	1995	Diesel	163	7/2011 >	
BMW 3 Touring (F31)	3.0	2979	Petrol	306	7/2012 - 6/2015	
BMW 3 Touring (F31)	3.0	2979	Petrol	306	7/2012 - 6/2015	
BMW 3 Touring (F31)	2.0	1997	Petrol	184	1/2012 - 6/2015	
BMW 3 Touring (F31)	3.0	2993	Diesel	258	6/2012 >	
BMW 3 Touring (F31)	2.0	1995	Diesel	184	1/2012 - 6/2015	
BMW 3 Touring (F31)	3.0	2979	Petrol	326	7/2012 - 7/2013	
BMW 3 Touring (F31)	2.0	1995	Diesel	200	7/2011 - 2/2016	
BMW 3 Touring (F31)	2.0	1995	Diesel	200	1/2012 - 6/2015	
BMW 3 Touring (F31)	3.0	2993	Diesel	313	4/2013 >	
BMW 3 Touring (F31)	2.0	1997	Petrol	245	6/2012 - 6/2016	
BMW 3 Touring (F31)	2.0	1995	Diesel	218	9/2012 - 2/2016	
BMW 3 Touring (F31)	2.0	1995	Diesel	143	1/2013 - 5/2015	
BMW 4 Convertible (F33, F83)	2.0	1995	Diesel	200	10/2013 - 7/2015	
BMW 4 Convertible (F33, F83)	2.0	1995	Diesel	190	7/2015 >	
BMW 4 Convertible (F33, F83)	2.0	1998	Petrol	252	3/2016 >	

Notes:

Manufacturers details are for guidance only. For pricing enquiries please contact our sales team on 01582 578 888

Comline Auto Parts Limited

Unit B1, Luton Enterprise Park, Sundon Road, Luton, Bedfordshire LU3 3GU

Tel: 01582 578 888 International Tel: +44 1582 578 888 Fax: 01582 578 889 International Fax: +44 1582 578 889

Email: sales@comline.uk.com **Web:** www.comline.uk.com



AUTO PARTS

Product Bulletin

ADC2838V - Brake disc

Buyers Guide

Make/Model	Litre	CC	Engine	HP	Model Year	Fitted Period
BMW 4 Convertible (F33, F83)	2.0	1998	Petrol	252	3/2016 >	
BMW 4 Convertible (F33, F83)	3.0	2998	Petrol	326	3/2016 >	
BMW 4 Convertible (F33, F83)	3.0	2998	Petrol	326	3/2016 >	
BMW 4 Convertible (F33, F83)	2.0	1995	Diesel	224	3/2016 >	
BMW 4 Convertible (F33, F83)	2.0	1998	Petrol	184	2/2016 >	
BMW 4 Convertible (F33, F83)	3.0	2998	Petrol	360	3/2016 >	
BMW 4 Convertible (F33, F83)	3.0	2998	Petrol	360	3/2016 >	
BMW 4 Convertible (F33, F83)	3.0	2979	Petrol	340	10/2013 >	
BMW 4 Convertible (F33, F83)	3.0	2979	Petrol	340	7/2014 >	
BMW 4 Convertible (F33, F83)	3.0	2979	Petrol	306	10/2013 >	
BMW 4 Convertible (F33, F83)	2.0	1995	Diesel	184	10/2013 - 7/2015	
BMW 4 Convertible (F33, F83)	2.0	1997	Petrol	245	10/2013 >	
BMW 4 Convertible (F33, F83)	2.0	1997	Petrol	245	1/2014 >	
BMW 4 Convertible (F33, F83)	2.0	1997	Petrol	184	7/2014 >	
BMW 4 Convertible (F33, F83)	3.0	2979	Petrol	306	7/2014 >	
BMW 4 Convertible (F33, F83)	2.0	1995	Diesel	218	7/2014 >	
BMW 4 Convertible (F33, F83)	3.0	2993	Diesel	258	7/2014 >	
BMW 4 Convertible (F33, F83)	3.0	2993	Diesel	313	7/2014 >	
BMW 4 Convertible (F33, F83)	3.0	2993	Diesel	286	10/2013 >	
BMW 4 Coupe (F32, F82)	3.0	2998	Petrol	326	3/2016 >	
BMW 4 Coupe (F32, F82)	2.0	1998	Petrol	252	3/2016 >	
BMW 4 Coupe (F32, F82)	2.0	1998	Petrol	252	3/2016 >	
BMW 4 Coupe (F32, F82)	2.0	1995	Diesel	200	11/2013 - 3/2015	
BMW 4 Coupe (F32, F82)	2.0	1995	Diesel	190	3/2015 >	
BMW 4 Coupe (F32, F82)	3.0	2998	Petrol	326	3/2016 >	
BMW 4 Coupe (F32, F82)	2.0	1995	Diesel	224	3/2016 >	

Notes:

Manufacturers details are for guidance only. For pricing enquiries please contact our sales team on 01582 578 888

Comline Auto Parts Limited

Unit B1, Luton Enterprise Park, Sundon Road, Luton, Bedfordshire LU3 3GU

Tel: 01582 578 888 International Tel: +44 1582 578 888 Fax: 01582 578 889 International Fax: +44 1582 578 889

Email: sales@comline.uk.com **Web:** www.comline.uk.com



AUTO PARTS

Product Bulletin

ADC2838V - Brake disc

Buyers Guide

Make/Model	Litre	CC	Engine	HP	Model Year	Fitted Period
BMW 4 Coupe (F32, F82)	2.0	1998	Petrol	184	2/2016 >	
BMW 4 Coupe (F32, F82)	2.0	1998	Petrol	184	2/2016 >	
BMW 4 Coupe (F32, F82)	1.5	1499	Petrol	136	2/2016 >	
BMW 4 Coupe (F32, F82)	3.0	2998	Petrol	360	3/2016 >	
BMW 4 Coupe (F32, F82)	3.0	2998	Petrol	360	3/2016 >	
BMW 4 Coupe (F32, F82)	2.0	1995	Diesel	190	3/2015 >	
BMW 4 Coupe (F32, F82)	2.0	1995	Diesel	150	3/2015 >	
BMW 4 Coupe (F32, F82)	2.0	1997	Petrol	245	7/2013 >	
BMW 4 Coupe (F32, F82)	2.0	1997	Petrol	245	7/2013 >	
BMW 4 Coupe (F32, F82)	3.0	2979	Petrol	306	7/2013 >	
BMW 4 Coupe (F32, F82)	3.0	2979	Petrol	306	7/2013 >	
BMW 4 Coupe (F32, F82)	3.0	2993	Diesel	313	11/2013 >	
BMW 4 Coupe (F32, F82)	2.0	1995	Diesel	184	11/2013 - 3/2015	
BMW 4 Coupe (F32, F82)	3.0	2993	Diesel	258	11/2013 >	
BMW 4 Coupe (F32, F82)	3.0	2993	Diesel	258	1/2014 >	
BMW 4 Coupe (F32, F82)	3.0	2979	Petrol	340	7/2013 >	
BMW 4 Coupe (F32, F82)	3.0	2979	Petrol	340	7/2013 >	
BMW 4 Coupe (F32, F82)	3.0	2993	Diesel	286	11/2013 >	
BMW 4 Coupe (F32, F82)	3.0	2993	Diesel	286	11/2013 >	
BMW 4 Gran Coupe (F36)	2.0	1998	Petrol	252	3/2016 >	
BMW 4 Gran Coupe (F36)	2.0	1995	Diesel	200	3/2014 - 3/2015	
BMW 4 Gran Coupe (F36)	2.0	1995	Diesel	200	3/2014 - 3/2015	
BMW 4 Gran Coupe (F36)	1.5	1499	Petrol	136	7/2015 >	
BMW 4 Gran Coupe (F36)	2.0	1995	Diesel	150	7/2015 >	
BMW 4 Gran Coupe (F36)	2.0	1995	Diesel	190	3/2015 >	
BMW 4 Gran Coupe (F36)	2.0	1998	Petrol	252	3/2016 >	

Notes:

Manufacturers details are for guidance only. For pricing enquiries please contact our sales team on 01582 578 888

Comline Auto Parts Limited

Unit B1, Luton Enterprise Park, Sundon Road, Luton, Bedfordshire LU3 3GU

Tel: 01582 578 888 International Tel: +44 1582 578 888 Fax: 01582 578 889 International Fax: +44 1582 578 889

Email: sales@comline.uk.com **Web:** www.comline.uk.com



AUTO PARTS

Product Bulletin

ADC2838V - Brake disc

Buyers Guide

Make/Model	Litre	CC	Engine	HP	Model Year	Fitted Period
BMW 4 Gran Coupe (F36)	3.0	2998	Petrol	326	3/2016 >	
BMW 4 Gran Coupe (F36)	3.0	2998	Petrol	326	3/2016 >	
BMW 4 Gran Coupe (F36)	2.0	1995	Diesel	224	3/2016 >	
BMW 4 Gran Coupe (F36)	2.0	1998	Petrol	184	2/2016 >	
BMW 4 Gran Coupe (F36)	2.0	1998	Petrol	184	2/2016 >	
BMW 4 Gran Coupe (F36)	3.0	2998	Petrol	360	3/2016 >	
BMW 4 Gran Coupe (F36)	3.0	2998	Petrol	360	3/2016 >	
BMW 4 Gran Coupe (F36)	2.0	1995	Diesel	190	3/2015 >	
BMW 4 Gran Coupe (F36)	3.0	2979	Petrol	340	7/2014 >	
BMW 4 Gran Coupe (F36)	2.0	1995	Diesel	184	3/2014 - 3/2015	
BMW 4 Gran Coupe (F36)	2.0	1995	Diesel	184	3/2014 - 3/2015	
BMW 4 Gran Coupe (F36)	2.0	1997	Petrol	184	3/2014 >	
BMW 4 Gran Coupe (F36)	2.0	1997	Petrol	245	3/2014 >	
BMW 4 Gran Coupe (F36)	2.0	1997	Petrol	245	3/2014 >	
BMW 4 Gran Coupe (F36)	2.0	1997	Petrol	184	7/2014 >	
BMW 4 Gran Coupe (F36)	3.0	2979	Petrol	306	7/2014 >	
BMW 4 Gran Coupe (F36)	3.0	2993	Diesel	258	7/2014 >	
BMW 4 Gran Coupe (F36)	3.0	2993	Diesel	258	7/2014 >	
BMW 4 Gran Coupe (F36)	3.0	2993	Diesel	313	7/2014 >	
BMW 4 Gran Coupe (F36)	3.0	2993	Diesel	286	7/2014 >	
BMW 4 Gran Coupe (F36)	3.0	2993	Diesel	286	7/2014 >	
BMW 4 Gran Coupe (F36)	3.0	2979	Petrol	340	3/2014 >	
BMW 4 Gran Coupe (F36)	3.0	2979	Petrol	306	3/2014 >	

Notes:

Manufacturers details are for guidance only. For pricing enquiries please contact our sales team on 01582 578 888

Comline Auto Parts Limited

Unit B1, Luton Enterprise Park, Sundon Road, Luton, Bedfordshire LU3 3GU

Tel: 01582 578 888 International Tel: +44 1582 578 888 Fax: 01582 578 889 International Fax: +44 1582 578 889

Email: sales@comline.uk.com **Web:** www.comline.uk.com