



**AUTO PARTS**

# Product Bulletin

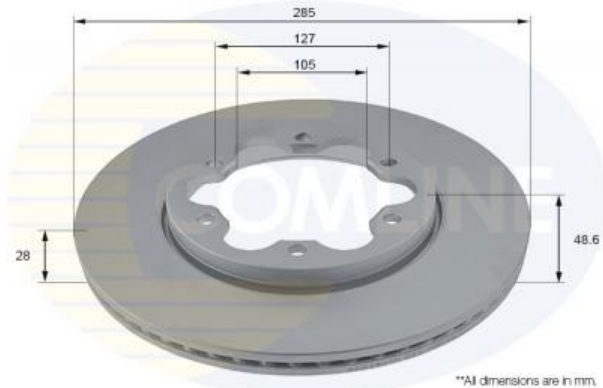
## ADC2827V - Brake disc

### Vehicles

TOYOTA,

### Technical Info

<b>Brake Disc Thickness (mm)</b>	28	<b>Minimum Thickness (mm)</b>	26
<b>Brake Disc Type</b>	Vented Disc	<b>Number of Holes</b>	6
<b>Centering Diameter (mm)</b>	105	<b>Outer Diameter (mm)</b>	285
<b>Fitting Position</b>	Front Axle	<b>Pitch Circle</b>	127
<b>Height (mm)</b>	48.6		



\*All dimensions are in mm.

### Cross References

<b>A.B.S.</b>	18139	<b>AP</b>	25338	<b>ASHIKA</b>	60-02-2046
<b>ATE</b>	NIR - 14-11-2017	<b>BLUE PRINT</b>	ADT343314	<b>BLUE PRINT</b>	NIR - 02-10-2017
<b>BORG &amp; BECK</b>	NIR - 14-12-2017	<b>BOSCH</b>	0 986 479 R27	<b>BRECO</b>	BS 8948
<b>BREMBO</b>	09.B063.10	<b>CIFAM</b>	800-1630	<b>DELPHI</b>	BG4210
<b>DJ PARTS</b>	BD1446	<b>FEBI</b>	NIR-11-01-2018	<b>FRI.TECH.</b>	BD1463
<b>GIRLING</b>	6064811	<b>ICER</b>	NIR-18-01-2018	<b>JAPANPARTS</b>	DI-2046
<b>JAPKO</b>	602046	<b>JURATEK</b>	NIR-08-02-2018	<b>KAMOKA</b>	NIR-13-02-2018
<b>KAVO</b>	BR-9502	<b>LPR</b>	T2077V	<b>MASTER-SPORT</b>	NIR - 17-11-2017
<b>METELLI</b>	23-1630	<b>MINTEX</b>	MDC2313	<b>NIPPARTS</b>	N3302194
<b>NPS</b>	T330A186	<b>OPTIMAL</b>	NIR-14-03-2018	<b>PAGID</b>	55349

### Notes:

Manufacturers details are for guidance only. For pricing enquiries please contact our sales team on 01582 578 888

### Comline Auto Parts Limited

Unit B1, Luton Enterprise Park, Sundon Road, Luton, Bedfordshire LU3 3GU

Tel: 01582 578 888 International Tel: +44 1582 578 888 Fax: 01582 578 889 International Fax: +44 1582 578 889

**Email:** [sales@comline.uk.com](mailto:sales@comline.uk.com) **Web:** [www.comline.uk.com](http://www.comline.uk.com)



**AUTO PARTS**

# Product Bulletin

## ADC2827V - Brake disc

### Cross References

<b>NPS</b>	T330A186	<b>OPTIMAL</b>	NIR-14-03-2018	<b>PAGID</b>	55349
<b>REMSA</b>	NIR - 02-11-2017	<b>ROADHOUSE</b>	NIR - 02-11-2017	<b>TEXTAR</b>	92234900
<b>TOYOTA</b>	4351226190	<b>TRISCAN</b>	8120 131057	<b>TRUSTING</b>	DF1463
<b>TRW</b>	DF6481	<b>ZIMMERMANN</b>	NIR 24-10-17		

#### Notes:

Manufacturers details are for guidance only. For pricing enquiries please contact our sales team on 01582 578 888

#### Comline Auto Parts Limited

Unit B1, Luton Enterprise Park, Sundon Road, Luton, Bedfordshire LU3 3GU

Tel: 01582 578 888 International Tel: +44 1582 578 888 Fax: 01582 578 889 International Fax: +44 1582 578 889

**Email:** [sales@comline.uk.com](mailto:sales@comline.uk.com) **Web:** [www.comline.uk.com](http://www.comline.uk.com)



**AUTO PARTS**

# Product Bulletin

## ADC2827V - Brake disc

### Buyers Guide

Make/Model	Litre	CC	Engine	HP	Model Year	Fitted Period
TOYOTA HIACE / COMMUTER V (TRH2_, KDH2_)	2.5	2494	Diesel	128	1/2005 >	
TOYOTA HIACE / COMMUTER V (TRH2_, KDH2_)	2.5	2494	Diesel	102	9/2006 >	
TOYOTA HIACE IV Box (LXH1_, RZH1_, LH1_)	2.5	2494	Diesel	117	9/2006 >	
TOYOTA HIACE IV Box (LXH1_, RZH1_, LH1_)	2.5	2494	Diesel	117	9/2006 >	
TOYOTA HIACE IV Box (LXH1_, RZH1_, LH1_)	2.5	2494	Diesel	95	9/2006 >	
TOYOTA HIACE IV Box (TRH2_, KDH2_)	2.5	2494	Diesel	102	9/2006 >	
TOYOTA HIACE IV Bus (_H1_, _H2_)	2.5	2494	Diesel	117	1/2005 >	
TOYOTA HIACE IV Bus (_H1_, _H2_)	2.5	2494	Diesel	117	8/2006 >	
TOYOTA HIACE IV Bus (_H1_, _H2_)	2.5	2494	Diesel	95	9/2006 - 12/2012	
TOYOTA HIACE V Box (TRH2_, KDH2_)	2.5	2494	Diesel	95	9/2006 >	
TOYOTA HIACE V Box (TRH2_, KDH2_)	2.5	2494	Diesel	117	9/2006 >	
TOYOTA HIACE V Box (TRH2_, KDH2_)	2.7	2694	Petrol	160	1/2015 >	

#### Notes:

Manufacturers details are for guidance only. For pricing enquiries please contact our sales team on 01582 578 888

#### Comline Auto Parts Limited

Unit B1, Luton Enterprise Park, Sundon Road, Luton, Bedfordshire LU3 3GU

Tel: 01582 578 888 International Tel: +44 1582 578 888 Fax: 01582 578 889 International Fax: +44 1582 578 889

**Email:** [sales@comline.uk.com](mailto:sales@comline.uk.com) **Web:** [www.comline.uk.com](http://www.comline.uk.com)