



**AUTO PARTS**

# Product Bulletin

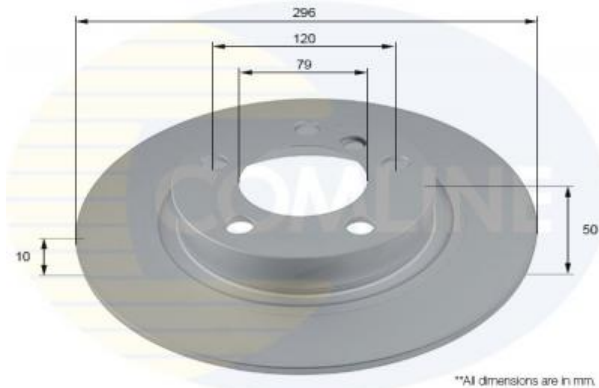
## ADC2826 - Brake disc

### Vehicles

MINI,

### Technical Info

Brake Disc Thickness (mm)	10	Minimum Thickness (mm)	8.4
Brake Disc Type	Solid Disc	Number of Bores	1
Centering Diameter (mm)	79	Number of Holes	5
Fitting Position	Rear Axle	Outer Diameter (mm)	296
Height (mm)	50	Pitch Circle	120



\*All dimensions are in mm.

### Cross References

<b>APEC</b>	DSK3158	<b>ASHIKA</b>	NIR - 30-11-2017	<b>ATE</b>	NIR - 14-11-2017
<b>BLUE PRINT</b>	ADB114321	<b>BORG &amp; BECK</b>	BBD5454	<b>BREMBO</b>	NIR-11-01-2018
<b>CAR</b>	142.1821	<b>FEBI</b>	NIR-11-01-2018	<b>FREMAX</b>	BD-9067
<b>ICER</b>	NIR-18-01-2018	<b>JAPKO</b>	NIR-30-01-2018	<b>JURATEK</b>	NIR-08-02-2018
<b>KAMOKA</b>	NIR-13-02-2018	<b>KAWE</b>	61619 00	<b>LPR</b>	NIR-15-02-2018
<b>MASTER-SPORT</b>	NIR - 17-11-2017	<b>METELLI</b>	NIR-27-02-2018	<b>MINI</b>	34219808513
<b>MINI</b>	34219811540	<b>MINI</b>	34219814540	<b>MOTAQUIP</b>	LVBD1846
<b>REMSA</b>	61619.00	<b>ROADHOUSE</b>	61619.00	<b>WOKING</b>	D61619.00
<b>ZIMMERMANN</b>	150.2923.20				

### Notes:

Manufacturers details are for guidance only. For pricing enquiries please contact our sales team on 01582 578 888

### Comline Auto Parts Limited

Unit B1, Luton Enterprise Park, Sundon Road, Luton, Bedfordshire LU3 3GU

Tel: 01582 578 888 International Tel: +44 1582 578 888 Fax: 01582 578 889 International Fax: +44 1582 578 889

**Email:** [sales@comline.uk.com](mailto:sales@comline.uk.com) **Web:** [www.comline.uk.com](http://www.comline.uk.com)



**AUTO PARTS**

# Product Bulletin

ADC2826 - Brake disc

## Buyers Guide

Make/Model	Litre	CC	Engine	HP	Model Year	Fitted Period
MINI MINI COUNTRYMAN (R60)	1.6	1598	Petrol	218	4/2011 - 10/2016	
MINI MINI PACEMAN (R61)	1.6	1598	Petrol	218	9/2012 - 9/2016	7/2014 >

### Notes:

Manufacturers details are for guidance only. For pricing enquiries please contact our sales team on 01582 578 888

### Comline Auto Parts Limited

Unit B1, Luton Enterprise Park, Sundon Road, Luton, Bedfordshire LU3 3GU

Tel: 01582 578 888 International Tel: +44 1582 578 888 Fax: 01582 578 889 International Fax: +44 1582 578 889

**Email:** [sales@comline.uk.com](mailto:sales@comline.uk.com) **Web:** [www.comline.uk.com](http://www.comline.uk.com)