



AUTO PARTS

Product Bulletin

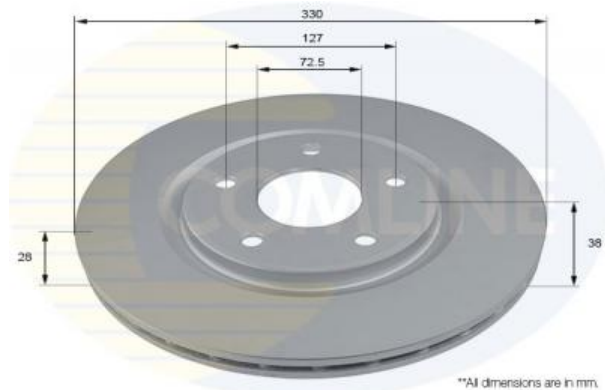
ADC2822V - Brake disc

Vehicles

CHRYSLER, DODGE, FIAT, LANCIA, VW,

Technical Info

| | | | |
|---------------------------|-------------|------------------------|------|
| Brake Disc Thickness (mm) | 28 | Minimum Thickness (mm) | 26.4 |
| Brake Disc Type | Vented Disc | Number of Holes | 5 |
| Centering Diameter (mm) | 72.5 | Outer Diameter (mm) | 330 |
| Fitting Position | Front Axle | Pitch Circle | 127 |
| Height (mm) | 38 | | |



*All dimensions are in mm.

Cross References

| | | | | | |
|------------------------|----------------|---------------------|------------------|-------------------|----------------|
| A.B.S. | 18405 | APEC | DSK3160 | ASHIKA | 60-09-923 |
| ASHUKI | US104364 | ATE | NIR - 14-11-2017 | BLUE PRINT | ADA104371 |
| BORG & BECK | BBD6084S | BREMBO | 09.N248.11 | CHRYSLER | 4779712AA |
| FEBI | 44066 | FIAT | K04779712AA | FIAT | K68192969AA |
| FREMAX | BD-5162 | ICER | NIR-18-01-2018 | JAPANPARTS | DI-923 |
| JAPKO | 60923 | JURATEK | NIR-08-02-2018 | KAMOKA | NIR-13-02-2018 |
| KAWE | 61515 10 | LANCIA | K04779712AA | LANCIA | K68192969AA |
| LPR | NIR-15-02-2018 | MASTER-SPORT | NIR - 17-11-2017 | METELLI | NIR-27-02-2018 |
| MINTEX | MDC2721 | MOTAQUIP | LVBD1851 | OPEN PARTS | BDA2674.20 |
| OPTIMAL | NIR-14-03-2018 | PAGID | 55789 | REMSA | 61515.10 |

Notes:

Manufacturers details are for guidance only. For pricing enquiries please contact our sales team on 01582 578 888

Comline Auto Parts Limited

Unit B1, Luton Enterprise Park, Sundon Road, Luton, Bedfordshire LU3 3GU

Tel: 01582 578 888 International Tel: +44 1582 578 888 Fax: 01582 578 889 International Fax: +44 1582 578 889

Email: sales@comline.uk.com Web: www.comline.uk.com



AUTO PARTS

Product Bulletin

ADC2822V - Brake disc

Cross References

| | | | | | |
|-------------------|----------------|---------------|----------|---------------|-----------|
| OPTIMAL | NIR-14-03-2018 | PAGID | 55789 | REMSA | 61515.10 |
| ROADHOUSE | 61515.10 | TEXTAR | 92278903 | WOKING | D61515.10 |
| ZIMMERMANN | 230.2384.20 | | | | |

Notes:

Manufacturers details are for guidance only. For pricing enquiries please contact our sales team on 01582 578 888

Comline Auto Parts Limited

Unit B1, Luton Enterprise Park, Sundon Road, Luton, Bedfordshire LU3 3GU

Tel: 01582 578 888 International Tel: +44 1582 578 888 Fax: 01582 578 889 International Fax: +44 1582 578 889

Email: sales@comline.uk.com **Web:** www.comline.uk.com



AUTO PARTS

Product Bulletin

ADC2822V - Brake disc

Buyers Guide

| Make/Model | Litre | CC | Engine | HP | Model Year | Fitted Period |
|-------------------------------|-------|------|--------|-----|-------------------|---------------|
| CHRYSLER GRAND VOYAGER V (RT) | 3.6 | 3604 | Petrol | 283 | 2/2011 > | |
| CHRYSLER GRAND VOYAGER V (RT) | 2.8 | 2777 | Diesel | 180 | 9/2012 > | |
| CHRYSLER GRAND VOYAGER V (RT) | 3.6 | 3604 | Petrol | 287 | 2/2011 > | |
| DODGE GRAND CARAVAN | 3.6 | 3604 | Petrol | 287 | 9/2010 > | |
| FIAT FREEMONT (345_) | 2.4 | 2360 | Petrol | 170 | 8/2011 > | |
| FIAT FREEMONT (345_) | 2.0 | 1956 | Diesel | 163 | 8/2011 > | |
| FIAT FREEMONT (345_) | 2.0 | 1956 | Diesel | 136 | 8/2011 > | |
| FIAT FREEMONT (345_) | 2.0 | 1956 | Diesel | 163 | 8/2011 > | |
| FIAT FREEMONT (345_) | 3.6 | 3604 | Petrol | 280 | 8/2011 > | |
| FIAT FREEMONT (345_) | 2.0 | 1956 | Diesel | 170 | 8/2011 > | |
| FIAT FREEMONT (345_) | 2.0 | 1956 | Diesel | 170 | 8/2011 > | |
| FIAT FREEMONT (345_) | 2.0 | 1956 | Diesel | 140 | 8/2011 > | |
| FIAT FREEMONT (345_) | 3.6 | 3604 | Petrol | 280 | 8/2011 > | |
| LANCIA VOYAGER MPV (404_) | 3.6 | 3604 | Petrol | 276 | 9/2011 - 12/2014 | |
| LANCIA VOYAGER MPV (404_) | 2.8 | 2776 | Diesel | 177 | 8/2013 - 12/2014 | |
| LANCIA VOYAGER MPV (404_) | 2.8 | 2776 | Diesel | 178 | 7/2012 - 12/2014 | |
| LANCIA VOYAGER MPV (404_) | 2.8 | 2776 | Diesel | 163 | 9/2011 - 12/2014 | |
| LANCIA VOYAGER MPV (404_) | 3.6 | 3604 | Petrol | 283 | 9/2011 - 12/2014 | |
| VW ROUTAN | 3.6 | 3604 | Petrol | 283 | 1/2011 - 12/2013 | |
| VW ROUTAN | 3.6 | 3604 | Petrol | 267 | 12/2010 - 12/2013 | |

Notes:

Manufacturers details are for guidance only. For pricing enquiries please contact our sales team on 01582 578 888

Comline Auto Parts Limited

Unit B1, Luton Enterprise Park, Sundon Road, Luton, Bedfordshire LU3 3GU

Tel: 01582 578 888 International Tel: +44 1582 578 888 Fax: 01582 578 889 International Fax: +44 1582 578 889

Email: sales@comline.uk.com **Web:** www.comline.uk.com