



AUTO PARTS

Product Bulletin

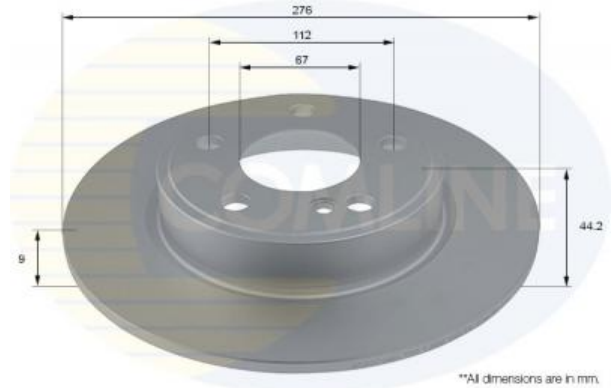
ADC1670 - Brake disc

Vehicles

MERCEDES-BENZ,

Technical Info

Brake Disc Thickness (mm)	9	Minimum Thickness (mm)	7.3
Brake Disc Type	Solid Disc	Number of Bores	1
Centering Diameter (mm)	67	Number of Holes	5
Fitting Position	Rear Axle	Outer Diameter (mm)	276
Height (mm)	44.2	Pitch Circle	112



*All dimensions are in mm.

Cross References

A.B.S.	18170	ALANKO	303185	ALLIED NIPPON	AND6824
AP	15041	APEC	DSK2992	ASHIKA	NIR - 30-11-2017
ATE	24.0109-0173.1	BETTAPARTS	BD1947S	BLUE PRINT	NIR - 02-10-2017
BORG & BECK	BBD5269	BOSCH	0 986 479 A03	BRAKE-ENGG	DI957025
BRECO	BS 6033	BREMBO	08.B347.40	DELPHI	BG4555
DELPHI	BG4555C	E.T.F.	19-7227	FEBI	43816
FERODO	ADU174329	FERODO	DDF2335C	FREMAX	BD-0109
ICER	NIR-18-01-2018	JAPKO	NIR-30-01-2018	JURATEK	MER337
KAMOKA	NIR-13-02-2018	KAWE	61465 00	LPR	M2081P
MASTER-SPORT	NIR - 17-11-2017	MERCEDES BENZ	2464230012	MERCEDES BENZ	2464230412

Notes:

Manufacturers details are for guidance only. For pricing enquiries please contact our sales team on 01582 578 888

Comline Auto Parts Limited

Unit B1, Luton Enterprise Park, Sundon Road, Luton, Bedfordshire LU3 3GU

Tel: 01582 578 888 International Tel: +44 1582 578 888 Fax: 01582 578 889 International Fax: +44 1582 578 889

Email: sales@comline.uk.com **Web:** www.comline.uk.com



AUTO PARTS

Product Bulletin

ADC1670 - Brake disc

Cross References

MASTER-SPORT	NIR - 17-11-2017	MERCEDES BENZ	2464230012	MERCEDES BENZ	2464230412
METELLI	23-1437C	METZGER	15041	MEYLE	015 523 0004/PD
MINTEX	MDC2522	MOTAQUIP	LVBD1690	NATIONAL	NBD1888
NK	2033113	NK	3133113	OPTIMAL	BS-9174
PAGID	55413	PILENGA	5910	QH	BDC6075
REMSA	61465.00	ROADHOUSE	61465.00	SBS	18152033113
SBS	18153133113	TEXTAR	92241303	TRISCAN	8120 231021C
TRUCKTEC	02.35.439	TRW	DF6376	TRW	DF6376S
VAICO	V30-40057	VALEO	197475	WOKING	D61465.00
ZIMMERMANN	400.3680.20				

Notes:

Manufacturers details are for guidance only. For pricing enquiries please contact our sales team on 01582 578 888

Comline Auto Parts Limited

Unit B1, Luton Enterprise Park, Sundon Road, Luton, Bedfordshire LU3 3GU

Tel: 01582 578 888 International Tel: +44 1582 578 888 Fax: 01582 578 889 International Fax: +44 1582 578 889

Email: sales@comline.uk.com **Web:** www.comline.uk.com



AUTO PARTS

Product Bulletin

ADC1670 - Brake disc

Buyers Guide

Make/Model	Litre	CC	Engine	HP	Model Year	Fitted Period
MERCEDES-BENZ A-CLASS (W176)	1.5	1461	Diesel	90	6/2013 >	
MERCEDES-BENZ A-CLASS (W176)	2.2	2143	Diesel	136	2/2014 >	
MERCEDES-BENZ A-CLASS (W176)	2.2	2143	Diesel	136	2/2014 >	
MERCEDES-BENZ A-CLASS (W176)	1.8	1796	Diesel	136	6/2012 >	
MERCEDES-BENZ A-CLASS (W176)	1.8	1796	Diesel	109	6/2012 >	
MERCEDES-BENZ A-CLASS (W176)	1.5	1461	Diesel	109	6/2012 >	
MERCEDES-BENZ A-CLASS (W176)	1.6	1595	Petrol	156	6/2012 >	
MERCEDES-BENZ A-CLASS (W176)	1.6	1595	Petrol	122	6/2012 >	
MERCEDES-BENZ A-CLASS (W176)	1.6	1595	Petrol	102	7/2015 >	
MERCEDES-BENZ B-CLASS (W246, W242)	2.2	2143	Diesel	136	8/2014 >	
MERCEDES-BENZ B-CLASS (W246, W242)	2.2	2143	Diesel	136	8/2014 >	
MERCEDES-BENZ B-CLASS (W246, W242)	1.6	1595	Petrol	122	11/2011 >	
MERCEDES-BENZ B-CLASS (W246, W242)	1.5	1461	Diesel	109	2/2013 >	
MERCEDES-BENZ B-CLASS (W246, W242)	1.5	1461	Diesel	90	5/2013 >	
MERCEDES-BENZ B-CLASS (W246, W242)	1.6	1595	Petrol	102	7/2015 >	
MERCEDES-BENZ B-CLASS (W246, W242)	2.0	1991	Petrol	156	11/2012 >	
MERCEDES-BENZ B-CLASS (W246, W242)	1.8	1796	Diesel	136	11/2011 >	
MERCEDES-BENZ B-CLASS (W246, W242)	1.8	1796	Diesel	109	11/2011 >	
MERCEDES-BENZ B-CLASS (W246, W242)	1.6	1595	Petrol	156	11/2011 >	
MERCEDES-BENZ CLA Coupe (C117)	1.5	1461	Diesel	109	10/2013 >	
MERCEDES-BENZ CLA Coupe (C117)	1.6	1595	Petrol	122	1/2013 >	

Notes:

Manufacturers details are for guidance only. For pricing enquiries please contact our sales team on 01582 578 888

Comline Auto Parts Limited

Unit B1, Luton Enterprise Park, Sundon Road, Luton, Bedfordshire LU3 3GU

Tel: 01582 578 888 International Tel: +44 1582 578 888 Fax: 01582 578 889 International Fax: +44 1582 578 889

Email: sales@comline.uk.com **Web:** www.comline.uk.com