



AUTO PARTS

Product Bulletin

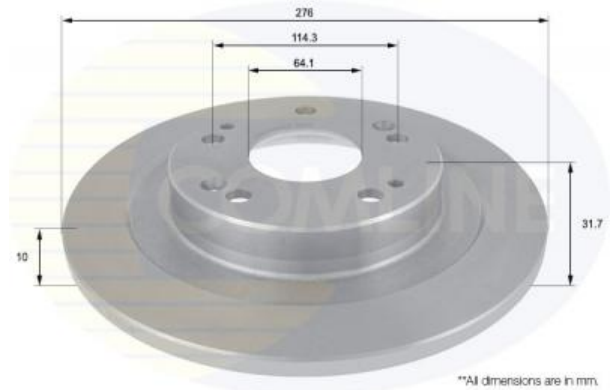
ADC0571 - Brake disc

Vehicles

HONDA,

Technical Info

Brake Disc Thickness (mm)	10	Minimum Thickness (mm)	8
Brake Disc Type	Solid Disc	Number of Bores	4
Centering Diameter (mm)	64.1	Number of Holes	5
Fitting Position	Rear Axle	Outer Diameter (mm)	276
Height (mm)	31.7	Pitch Circle	114.3



*All dimensions are in mm.

Cross References

A.B.S.	18311	ALLIED NIPPON	AND6644	APEC	DSK3005
ASHIKA	61-04-423	ATE	24.0110-0380.1	BLUE PRINT	ADH243123
BORG & BECK	BBD5321	BOSCH	0 986 479 A92	BRAKE-ENGG	DI957031
BREMBO	08.C310.11	DELPHI	BG4773C	FEBI	NIR-11-01-2018
FERODO	DDF2474C	HERTH+BUSS JAKOPARTS	J3314045	HONDA	42510-TV0-E00
ICER	NIR-18-01-2018	JAPKO	61423	JURATEK	NIR-08-02-2018
KAMOKA	NIR-13-02-2018	KAVO	BR-2288	LPR	H1042P
MASTER-SPORT	NIR - 17-11-2017	METELLI	NIR-27-02-2018	MINTEX	MDC2483
MOTAQUIP	LVBD1772	NATIONAL	NBD1863	NIPPARTS	N3314043
NK	202663	NK	312663	OPTIMAL	NIR-14-03-2018

Notes:

Manufacturers details are for guidance only. For pricing enquiries please contact our sales team on 01582 578 888

Comline Auto Parts Limited

Unit B1, Luton Enterprise Park, Sundon Road, Luton, Bedfordshire LU3 3GU

Tel: 01582 578 888 International Tel: +44 1582 578 888 Fax: 01582 578 889 International Fax: +44 1582 578 889

Email: sales@comline.uk.com **Web:** www.comline.uk.com



AUTO PARTS

Product Bulletin

ADC0571 - Brake disc

Cross References

NK	202663	NK	312663	OPTIMAL	NIR-14-03-2018
PAGID	55526	REMSA	NIR - 02-11-2017	ROADHOUSE	NIR - 02-11-2017
SBS	1815202663	SBS	1815312663	TEXTAR	92252603
TRISCAN	8120 40173C	TRISCAN	812040173C	TRW	DF6526
ZIMMERMANN	280.3188.20				

Notes:

Manufacturers details are for guidance only. For pricing enquiries please contact our sales team on 01582 578 888

Comline Auto Parts Limited

Unit B1, Luton Enterprise Park, Sundon Road, Luton, Bedfordshire LU3 3GU

Tel: 01582 578 888 International Tel: +44 1582 578 888 Fax: 01582 578 889 International Fax: +44 1582 578 889

Email: sales@comline.uk.com **Web:** www.comline.uk.com



AUTO PARTS

Product Bulletin

ADC0571 - Brake disc

Buyers Guide

Make/Model	Litre	CC	Engine	HP	Model Year	Fitted Period
HONDA CIVIC IX (FK)	1.4	1339	Petrol	99	2/2012 >	
HONDA CIVIC IX (FK)	1.8	1798	Petrol	141	2/2012 >	
HONDA CIVIC IX (FK)	2.2	2199	Diesel	150	2/2012 >	
HONDA CIVIC IX (FK)	1.6	1597	Diesel	120	2/2013 >	
HONDA CIVIC IX Tourer (FK)	1.6	1597	Diesel	120	1/2014 >	
HONDA CIVIC IX Tourer (FK)	1.8	1798	Petrol	141	1/2014 >	

Notes:

Manufacturers details are for guidance only. For pricing enquiries please contact our sales team on 01582 578 888

Comline Auto Parts Limited

Unit B1, Luton Enterprise Park, Sundon Road, Luton, Bedfordshire LU3 3GU

Tel: 01582 578 888 International Tel: +44 1582 578 888 Fax: 01582 578 889 International Fax: +44 1582 578 889

Email: sales@comline.uk.com **Web:** www.comline.uk.com