



**AUTO PARTS**

# Product Bulletin

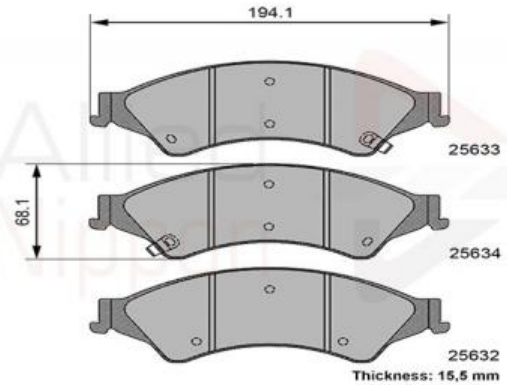
## ADB36105 - Brake pad set, disc brake

### Vehicles

FORD,

### Technical Info

Fitting Position	Front Axle
Length (mm)	194.1
Part Info	With acoustic wear warning
Thickness (mm)	15.5
Width (mm)	68.1



### Cross References

<b>ACDELCO</b>	AC0581768D	<b>APEC</b>	PAD2038	<b>ASHIKA</b>	50-03-351
<b>ATE</b>	13.0460-8014.2	<b>BENDIX</b>	573449B	<b>BLUE PRINT</b>	ADM542104
<b>BORG &amp; BECK</b>	BBP2406	<b>BREMBO</b>	P24153	<b>DELPHI</b>	LP2484
<b>E.T.F.</b>	12-1527	<b>FEBI</b>	NIR-11-01-2018	<b>FERODO</b>	FDB4832
<b>FORD</b>	1723410	<b>FORD</b>	1723538	<b>FORD</b>	AB312001AB
<b>FORD</b>	AB312L361AB	<b>FORD</b>	UCYE3323Z	<b>FORD</b>	UCYE3323ZA
<b>FORD</b>	UCYR3323ZA	<b>FRI.TECH.</b>	987.0	<b>ICER</b>	182109
<b>JAPANPARTS</b>	PA-351AF	<b>JAPKO</b>	50351	<b>JURATEK</b>	NIR-08-02-2018
<b>KAMOKA</b>	NIR-13-02-2018	<b>KAVO</b>	BP-4583	<b>LPR</b>	05P1768
<b>MASTER-SPORT</b>	NIR - 17-11-2017	<b>METELLI</b>	22-0971-0	<b>MINTEX</b>	MDB3265

### Notes:

Manufacturers details are for guidance only. For pricing enquiries please contact our sales team on 01582 578 888

### Comline Auto Parts Limited

Unit B1, Luton Enterprise Park, Sundon Road, Luton, Bedfordshire LU3 3GU

Tel: 01582 578 888 International Tel: +44 1582 578 888 Fax: 01582 578 889 International Fax: +44 1582 578 889

Email: [sales@comline.uk.com](mailto:sales@comline.uk.com) Web: [www.comline.uk.com](http://www.comline.uk.com)



**AUTO PARTS**

# Product Bulletin

## ADB36105 - Brake pad set, disc brake

### Cross References

<b>MASTER-SPORT</b>	NIR - 17-11-2017	<b>METELLI</b>	22-0971-0	<b>MINTEX</b>	MDB3265
<b>NIPPARTS</b>	N3603075	<b>NK</b>	222577	<b>NPS</b>	M360A70
<b>PAGID</b>	T2173	<b>REMSA</b>	1524.02	<b>ROADHOUSE</b>	21524.02
<b>SBS</b>	1501222577	<b>TEXTAR</b>	2563201	<b>TRUSTING</b>	987.0
<b>TRW</b>	GDB2005	<b>WVA</b>	25632	<b>WVA</b>	25633
<b>WVA</b>	25634	<b>ZIMMERMANN</b>	25632.165.2		

### Notes:

Manufacturers details are for guidance only. For pricing enquiries please contact our sales team on 01582 578 888

### Comline Auto Parts Limited

Unit B1, Luton Enterprise Park, Sundon Road, Luton, Bedfordshire LU3 3GU

Tel: 01582 578 888 International Tel: +44 1582 578 888 Fax: 01582 578 889 International Fax: +44 1582 578 889

**Email:** [sales@comline.uk.com](mailto:sales@comline.uk.com) **Web:** [www.comline.uk.com](http://www.comline.uk.com)



**AUTO PARTS**

# Product Bulletin

## ADB36105 - Brake pad set, disc brake

### Buyers Guide

Make/Model	Litre	CC	Engine	HP	Model Year	Fitted Period
FORD RANGER	2.5	2488	Petrol	166	11/2011 >	
FORD RANGER (TKE)	2.2	2198	Diesel	131	5/2015 >	
FORD RANGER (TKE)	2.2	2198	Diesel	160	5/2015 >	
FORD RANGER (TKE)	2.2	2198	Diesel	160	5/2015 >	
FORD RANGER (TKE)	2.2	2198	Diesel	150	11/2011 >	
FORD RANGER (TKE)	2.2	2198	Diesel	125	4/2011 >	
FORD RANGER (TKE)	2.2	2198	Diesel	120	4/2011 >	
FORD RANGER (TKE)	3.2	3198	Diesel	200	4/2011 >	
FORD RANGER (TKE)	2.2	2198	Diesel	150	4/2011 >	
FORD RANGER (TKE)	2.2	2198	Diesel	125	4/2011 >	
FORD RANGER (TKE)	2.2	2198	Diesel	131	5/2015 >	

#### Notes:

Manufacturers details are for guidance only. For pricing enquiries please contact our sales team on 01582 578 888

#### Comline Auto Parts Limited

Unit B1, Luton Enterprise Park, Sundon Road, Luton, Bedfordshire LU3 3GU

Tel: 01582 578 888 International Tel: +44 1582 578 888 Fax: 01582 578 889 International Fax: +44 1582 578 889

**Email:** [sales@comline.uk.com](mailto:sales@comline.uk.com) **Web:** [www.comline.uk.com](http://www.comline.uk.com)