



**AUTO PARTS**

# Product Bulletin

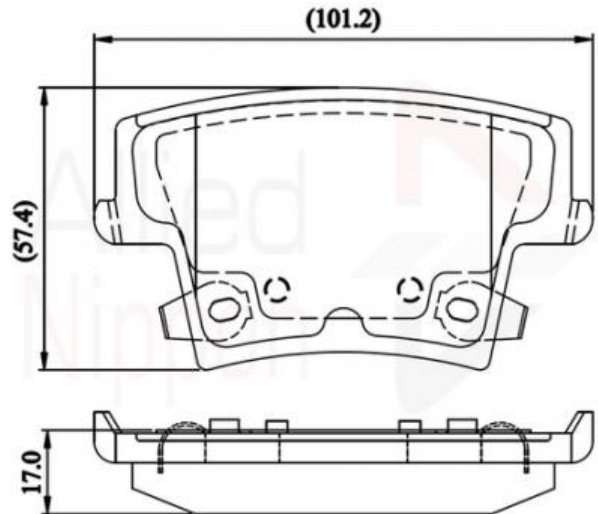
## ADB32216 - Brake pad set, disc brake

### Vehicles

CHRYSLER, DODGE, LANCIA,

### Technical Info

Brake System_P	Bosch
Fitting Position	Rear Axle
Length (mm)	101.2
Part Info	With acoustic wear warning
Thickness (mm)	17
Width (mm)	57.4



### Cross References

<b>ABE</b>	C2Y020ABE	<b>APEC</b>	PAD1485	<b>ASHIKA</b>	51-09-902
<b>ASHUKI</b>	US104205	<b>ATE</b>	NIR - 14-11-2017	<b>BLUE PRINT</b>	ADA104205
<b>BORG &amp; BECK</b>	BBP2168	<b>BRAKE-ENGG</b>	PA1711	<b>BREMBO</b>	P11018
<b>CHRYSLER</b>	05139191AA	<b>CHRYSLER</b>	05142561AA	<b>CHRYSLER</b>	05142566AA
<b>CHRYSLER</b>	05142566AB	<b>CHRYSLER</b>	5139191AA	<b>CHRYSLER</b>	5142561AA
<b>CHRYSLER</b>	5142566AB	<b>CIFAM</b>	822-718-0	<b>DELPHI</b>	LP2035
<b>DENCKERMANN</b>	B111200	<b>FEBI</b>	116109	<b>FERODO</b>	FDB1953
<b>FERODO</b>	FSL1953	<b>FRI.TECH.</b>	734.0	<b>GIRLING</b>	6141359
<b>ICER</b>	182069	<b>JAPKO</b>	51902	<b>JURATEK</b>	NIR-08-02-2018
<b>KAMOKA</b>	JQ101132	<b>KAWE</b>	1127 08	<b>LANCIA</b>	K05142561AB

### Notes:

Manufacturers details are for guidance only. For pricing enquiries please contact our sales team on 01582 578 888

### Comline Auto Parts Limited

Unit B1, Luton Enterprise Park, Sundon Road, Luton, Bedfordshire LU3 3GU

Tel: 01582 578 888 International Tel: +44 1582 578 888 Fax: 01582 578 889 International Fax: +44 1582 578 889

**Email:** [sales@comline.uk.com](mailto:sales@comline.uk.com) **Web:** [www.comline.uk.com](http://www.comline.uk.com)



**AUTO PARTS**

# Product Bulletin

## ADB32216 - Brake pad set, disc brake

### Cross References

<b>KAMOKA</b>	JQ101132	<b>KAWE</b>	1127 08	<b>LANCIA</b>	K05142561AB
<b>LANCIA</b>	K05142566AB	<b>LPR</b>	05P1400	<b>MASTER-SPORT</b>	NIR - 17-11-2017
<b>METELLI</b>	22-0718-0	<b>MINTEX</b>	MDB2695	<b>MOTAQUIP</b>	LVXL1348
<b>NK</b>	229326	<b>OPEN PARTS</b>	BPA1127.08	<b>OPTIMAL</b>	12569
<b>PAGID</b>	T1502	<b>QH</b>	BP1534	<b>REMSA</b>	1127.08
<b>ROADHOUSE</b>	21127.08	<b>SBS</b>	1501229326	<b>SCT</b>	SP 464
<b>TEXTAR</b>	2416301	<b>TRISCAN</b>	8110 80542	<b>TRUSTING</b>	734.0
<b>TRW</b>	GDB4135	<b>WOKING</b>	P10273.08	<b>WVA</b>	24163
<b>ZIMMERMANN</b>	NIR 25-10-17				

### Notes:

Manufacturers details are for guidance only. For pricing enquiries please contact our sales team on 01582 578 888

### Comline Auto Parts Limited

Unit B1, Luton Enterprise Park, Sundon Road, Luton, Bedfordshire LU3 3GU

Tel: 01582 578 888 International Tel: +44 1582 578 888 Fax: 01582 578 889 International Fax: +44 1582 578 889

**Email:** [sales@comline.uk.com](mailto:sales@comline.uk.com) **Web:** [www.comline.uk.com](http://www.comline.uk.com)



# Product Bulletin

## ADB32216 - Brake pad set, disc brake

### Buyers Guide

Make/Model	Litre	CC	Engine	HP	Model Year	Fitted Period
CHRYSLER 300 C (LX, LE)	3.5	3518	Petrol	249	9/2004 - 11/2012	
CHRYSLER 300 C (LX, LE)	6.1	6059	Petrol	431	6/2005 - 11/2012	
CHRYSLER 300 C (LX, LE)	3.0	2987	Diesel	211	11/2010 - 11/2012	
CHRYSLER 300 C (LX, LE)	3.0	2987	Diesel	218	9/2005 - 11/2012	
CHRYSLER 300 C (LX, LE)	5.7	5654	Petrol	340	9/2004 - 12/2008	
CHRYSLER 300 C Touring (LX, LE)	3.5	3518	Petrol	249	9/2004 - 12/2010	
CHRYSLER 300 C Touring (LX, LE)	5.7	5654	Petrol	340	9/2004 - 12/2010	
CHRYSLER 300 C Touring (LX, LE)	5.7	5654	Petrol	340	4/2005 - 12/2010	
CHRYSLER 300 C Touring (LX, LE)	3.0	2987	Diesel	218	9/2005 - 12/2010	
CHRYSLER 300C	3.6	3604	Petrol	292	7/2011 >	
CHRYSLER 300C	3.0	2987	Diesel	239	9/2011 >	
CHRYSLER 300C	6.4	6417	Petrol	472	9/2011 >	
CHRYSLER 300C	3.6	3604	Petrol	286	9/2011 >	
DODGE CHALLENGER Coupe	5.7	5654	Petrol	377	9/2008 >	
DODGE CHALLENGER Coupe	5.7	5654	Petrol	381	1/2010 >	
DODGE CHALLENGER Coupe	3.6	3605	Petrol	309	1/2011 >	
DODGE CHALLENGER Coupe	6.4	6417	Petrol	477	1/2011 >	
DODGE CHALLENGER Coupe	6.4	6417	Petrol	471	8/2011 >	
DODGE CHALLENGER Coupe	3.5	3518	Petrol	253	9/2008 - 12/2010	
DODGE CHARGER	5.7	5654	Petrol	375	11/2011 >	
DODGE CHARGER	6.4	6417	Petrol	477	9/2011 >	
DODGE CHARGER	3.5	3518	Petrol	253	6/2005 - 12/2010	
DODGE CHARGER	5.7	5654	Petrol	345	6/2005 - 12/2008	
DODGE CHARGER	2.7	2736	Petrol	192	4/2006 - 12/2010	
DODGE CHARGER	6.4	6417	Petrol	492	9/2014 >	
DODGE CHARGER	3.6	3605	Petrol	296	9/2011 - 12/2014	

#### Notes:

Manufacturers details are for guidance only. For pricing enquiries please contact our sales team on 01582 578 888

#### Comline Auto Parts Limited

Unit B1, Luton Enterprise Park, Sundon Road, Luton, Bedfordshire LU3 3GU

Tel: 01582 578 888 International Tel: +44 1582 578 888 Fax: 01582 578 889 International Fax: +44 1582 578 889

Email: [sales@comline.uk.com](mailto:sales@comline.uk.com) Web: [www.comline.uk.com](http://www.comline.uk.com)



**AUTO PARTS**

# Product Bulletin

## ADB32216 - Brake pad set, disc brake

### Buyers Guide

Make/Model	Litre	CC	Engine	HP	Model Year	Fitted Period
DODGE CHARGER	5.7	5654	Petrol	375	9/2011 >	
DODGE CHARGER	5.7	5654	Petrol	375	9/2011 >	
LANCIA THEMA (LX_)	3.0	2987	Diesel	239	9/2011 >	
LANCIA THEMA (LX_)	3.6	3604	Petrol	286	9/2011 >	
LANCIA THEMA (LX_)	3.6	3604	Petrol	286	9/2011 >	
LANCIA THEMA (LX_)	3.0	2987	Diesel	190	9/2011 >	

#### Notes:

Manufacturers details are for guidance only. For pricing enquiries please contact our sales team on 01582 578 888

#### Comline Auto Parts Limited

Unit B1, Luton Enterprise Park, Sundon Road, Luton, Bedfordshire LU3 3GU

Tel: 01582 578 888 International Tel: +44 1582 578 888 Fax: 01582 578 889 International Fax: +44 1582 578 889

**Email:** [sales@comline.uk.com](mailto:sales@comline.uk.com) **Web:** [www.comline.uk.com](http://www.comline.uk.com)