



AUTO PARTS

Product Bulletin

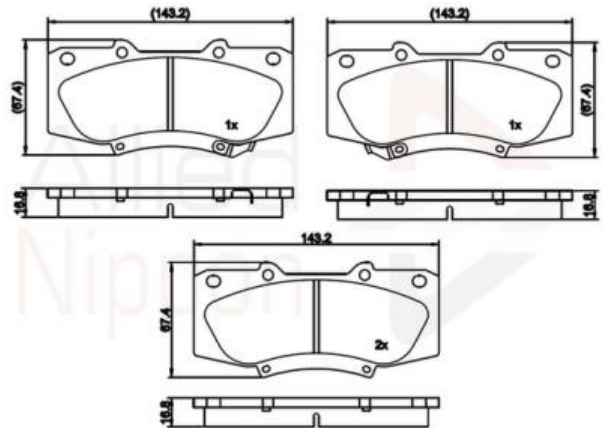
ADB32137 - Brake pad set, disc brake

Vehicles

TOYOTA,

Technical Info

Brake System_P	ADVICS
Fitting Position	Front Axle
Length (mm)	143.2
Part Info	With acoustic wear warning
Thickness (mm)	16.8
Width (mm)	67.4



Cross References

A.B.S.	37881	ABE	C12136ABE	ACDELCO	AC0581682D
APEC	PAD1840	ASHIKA	50-02-278	ATE	NIR - 14-11-2017
BENDIX	573435B	BLUE PRINT	ADT342191	BORG & BECK	BBP2286
BREMBO	P83140	DELPHI	LP2244	E.T.F.	12-1549
FEBI	NIR-11-01-2018	FERODO	FDB4715	FRI.TECH.	953.0
GIRLING	6135349	HERTH+BUSS JAKOPARTS	J3602005	ICER	182006
IPS-PARTS	IBD-1220	JAPANPARTS	PA-278AF	JAPKO	50278
JURATEK	NIR-08-02-2018	KAMOKA	NIR-13-02-2018	KAWE	1468 04
KAWE	146804	LPR	05P1682	MASTER-SPORT	13046135342N-SET-MS
METELLI	22-0937-0	MINTEX	MDB3160	NIPPARTS	N3602147

Notes:

Manufacturers details are for guidance only. For pricing enquiries please contact our sales team on 01582 578 888

Comline Auto Parts Limited

Unit B1, Luton Enterprise Park, Sundon Road, Luton, Bedfordshire LU3 3GU

Tel: 01582 578 888 International Tel: +44 1582 578 888 Fax: 01582 578 889 International Fax: +44 1582 578 889

Email: sales@comline.uk.com Web: www.comline.uk.com



COMLINE

AUTO PARTS

Product Bulletin

ADB32137 - Brake pad set, disc brake

Cross References

METELLI	22-0937-0	MINTEX	MDB3160	NIPPARTS	N3602147
NK	2245100	PAGID	T2059	PROTECHNIC	PRP1605
REMSA	1468.04	ROADHOUSE	21468.04	SBS	15012245100
SCT	SP 705	TEXTAR	2520901	TOYOTA	044650K240
TOYOTA	044650K260	TOYOTA	044650K320	TOYOTA	044650K340
TOYOTA	04465YZZEF	TRISCAN	8110 13113	TRISCAN	811013113
TRUSTING	953.0	TRW	GDB3528	TRW	GDB3534
WOKING	P15683.04	WVA	25209	WVA	25210
ZIMMERMANN	25209.170.1				

Notes:

Manufacturers details are for guidance only. For pricing enquiries please contact our sales team on 01582 578 888

Comline Auto Parts Limited

Unit B1, Luton Enterprise Park, Sundon Road, Luton, Bedfordshire LU3 3GU

Tel: 01582 578 888 International Tel: +44 1582 578 888 Fax: 01582 578 889 International Fax: +44 1582 578 889

Email: sales@comline.uk.com **Web:** www.comline.uk.com



COMLINE

AUTO PARTS

Product Bulletin

ADB32137 - Brake pad set, disc brake

Buyers Guide

Make/Model	Litre	CC	Engine	HP	Model Year	Fitted Period
TOYOTA HILUX (VIGO) VII Pickup (_N1_, _N2_, _N3_)	3.0	2982	Diesel	171	12/2007 >	12/2008 >
TOYOTA HILUX (VIGO) VII Pickup (_N1_, _N2_, _N3_)	2.5	2494	Diesel	144	9/2009 >	
TOYOTA HILUX (VIGO) VII Pickup (_N1_, _N2_, _N3_)	2.5	2494	Diesel	144	1/2010 >	
TOYOTA HILUX (VIGO) VII Pickup (_N1_, _N2_, _N3_)	3.0	2982	Diesel	197	5/2008 - 12/2008	12/2008 >
TOYOTA HILUX VII Pickup (_N1_, _N2_, _N3_)	3.0	2982	Diesel	163	8/2005 >	12/2008 >

Notes:

Manufacturers details are for guidance only. For pricing enquiries please contact our sales team on 01582 578 888

Comline Auto Parts Limited

Unit B1, Luton Enterprise Park, Sundon Road, Luton, Bedfordshire LU3 3GU

Tel: 01582 578 888 International Tel: +44 1582 578 888 Fax: 01582 578 889 International Fax: +44 1582 578 889

Email: sales@comline.uk.com **Web:** www.comline.uk.com