



AUTO PARTS

Product Bulletin

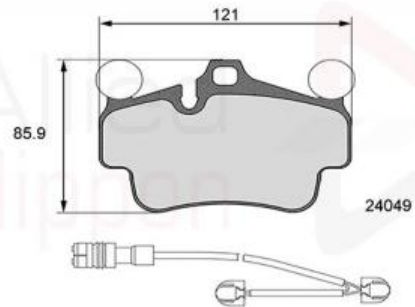
ADB26127 - Brake pad set, disc brake

Vehicles

PORSCHE,

Technical Info

Brake System_P	Brembo
Length (mm)	121
Notes	Number of wear Indicators - 2
Part Info	With Loose Wear Indicator
Thickness (mm)	17
Width (mm)	85.9



Cross References

A.B.S.	37694	A.B.S.	37694S	AKEBONO	AN-4674K
AKEBONO	AN-4674KE	ALANKO	10301124	APEC	PAD1634
ASHIKA	NIR - 11-12-2017	ATE	NIR - 14-11-2017	BLUE PRINT	NIR - 18-10-2017
BORG & BECK	BBP2316	BRAKE-ENGG	PA1947	BRAxis	AA0358
BREMBO	P65014	BREMBO	P65015	BREMSI	BP3564
CIFAM	822-892-0	DELPHI	LP2236	FEBI	116171
FERODO	FDB4330	FRI.TECH.	909.0	FTE	BL2843A1
GIRLING	6118369	ICER	182204	JAPKO	NIR-30-01-2018
JURATEK	JCP036	JURID	573650J	KAMOKA	NIR-13-02-2018
KAWE	0773 20	LPR	05P1559	LPR	05P1559A

Notes:

Manufacturers details are for guidance only. For pricing enquiries please contact our sales team on 01582 578 888

Comline Auto Parts Limited

Unit B1, Luton Enterprise Park, Sundon Road, Luton, Bedfordshire LU3 3GU

Tel: 01582 578 888 International Tel: +44 1582 578 888 Fax: 01582 578 889 International Fax: +44 1582 578 889

Email: sales@comline.uk.com **Web:** www.comline.uk.com



AUTO PARTS

Product Bulletin

ADB26127 - Brake pad set, disc brake

Cross References

KAWE	0773 20	LPR	05P1559	LPR	05P1559A
MASTER-SPORT	NIR - 17-11-2017	METELLI	22-0892-0	MEYLE	025 240 4917/PD
MINTEX	MDB2842	MINTEX	MDB2992	MOPROD	MBP1729
OPEN PARTS	BPA0773.20	OPTIMAL	12349	PAGID	T1635
PAGID	T1799	PORSCHE	99735193903	PORSCHE	99735193904
PORSCHE	99735193905	PORSCHE	99735193906	PROTECHNIC	PRP1550
PROTECHNIC	PRP1551	QH	BP1729	R BRAKE	RB2204
REMSA	0773.20	ROADHOUSE	2773.20	SWAG	38 11 6171
TEXTAR	2404901	TEXTAR	2404903	TRISCAN	8110 20009
TRUSTING	909.0	TRW	GDB1836	VAICO	V45-0022
VILLAR	626.1559	VILLAR	626.1559A	WOKING	P6733.20
WVA	24049	ZIMMERMANN	24049.170.9		

Notes:

Manufacturers details are for guidance only. For pricing enquiries please contact our sales team on 01582 578 888

Comline Auto Parts Limited

Unit B1, Luton Enterprise Park, Sundon Road, Luton, Bedfordshire LU3 3GU

Tel: 01582 578 888 International Tel: +44 1582 578 888 Fax: 01582 578 889 International Fax: +44 1582 578 889

Email: sales@comline.uk.com **Web:** www.comline.uk.com



AUTO PARTS

Product Bulletin

ADB26127 - Brake pad set, disc brake

Buyers Guide

Make/Model	Litre	CC	Engine	HP	Model Year	Fitted Period
PORSCHE 911 (997)	3.8	3800	Petrol	385	6/2008 - 12/2011	
PORSCHE 911 (997)	3.8	3824	Petrol	381	8/2005 - 12/2008	
PORSCHE 911 (997)	3.8	3824	Petrol	381	8/2005 - 12/2008	
PORSCHE 911 (997)	3.8	3824	Petrol	355	7/2004 - 12/2008	
PORSCHE 911 (997)	3.6	3596	Petrol	325	7/2004 - 12/2008	
PORSCHE 911 (997)	3.8	3824	Petrol	355	7/2004 - 12/2008	
PORSCHE 911 (997)	3.6	3596	Petrol	325	7/2004 - 12/2008	
PORSCHE 911 (997)	3.6	3596	Petrol	320	8/2004 - 7/2005	
PORSCHE 911 (997)	3.6	3596	Petrol	329	7/2004 - 12/2008	
PORSCHE 911 (997)	3.8	3824	Petrol	359	7/2004 - 12/2008	
PORSCHE 911 (997)	3.8	3824	Petrol	359	9/2005 - 12/2008	
PORSCHE 911 (997)	3.8	3800	Petrol	408	6/2009 - 12/2012	
PORSCHE 911 (997)	3.8	3800	Petrol	408	6/2009 - 12/2011	
PORSCHE 911 (997)	3.8	3800	Petrol	385	6/2008 - 12/2012	
PORSCHE 911 Convertible (997)	3.6	3596	Petrol	325	4/2005 - 12/2008	
PORSCHE 911 Convertible (997)	3.8	3824	Petrol	355	4/2005 - 12/2008	
PORSCHE 911 Convertible (997)	3.6	3596	Petrol	325	4/2005 - 12/2008	
PORSCHE 911 Convertible (997)	3.8	3824	Petrol	355	4/2005 - 12/2008	
PORSCHE 911 Convertible (997)	3.8	3824	Petrol	381	8/2005 - 12/2008	
PORSCHE 911 Convertible (997)	3.8	3824	Petrol	381	8/2005 - 12/2008	
PORSCHE 911 Convertible (997)	3.6	3596	Petrol	320	4/2005 - 7/2005	
PORSCHE 911 Convertible (997)	3.8	3824	Petrol	359	4/2005 - 12/2010	
PORSCHE 911 Convertible (997)	3.8	3824	Petrol	359	4/2005 - 12/2008	
PORSCHE 911 Convertible (997)	3.8	3800	Petrol	385	6/2008 - 12/2011	
PORSCHE 911 Convertible (997)	3.8	3800	Petrol	385	6/2008 - 12/2012	
PORSCHE 911 Convertible (997)	3.8	3800	Petrol	408	6/2009 - 12/2011	

Notes:

Manufacturers details are for guidance only. For pricing enquiries please contact our sales team on 01582 578 888

Comline Auto Parts Limited

Unit B1, Luton Enterprise Park, Sundon Road, Luton, Bedfordshire LU3 3GU

Tel: 01582 578 888 International Tel: +44 1582 578 888 Fax: 01582 578 889 International Fax: +44 1582 578 889

Email: sales@comline.uk.com **Web:** www.comline.uk.com



Product Bulletin

ADB26127 - Brake pad set, disc brake

Buyers Guide

Make/Model	Litre	CC	Engine	HP	Model Year	Fitted Period
PORSCHE 911 Convertible (997)	3.8	3800	Petrol	408	6/2009 - 12/2012	
PORSCHE 911 Convertible (997)	3.6	3596	Petrol	329	4/2005 - 12/2008	
PORSCHE 911 Convertible (997)	3.6	3596	Petrol	329	4/2005 - 12/2008	
PORSCHE 911 Targa (997)	3.8	3800	Petrol	385	10/2008 - 12/2012	
PORSCHE 911 Targa (997)	3.6	3596	Petrol	325	7/2006 - 12/2008	
PORSCHE 911 Targa (997)	3.8	3824	Petrol	355	7/2006 - 12/2008	
PORSCHE BOXSTER (987)	3.4	3387	Petrol	295	7/2006 - 12/2009	9/2008 >
PORSCHE BOXSTER (987)	3.2	3179	Petrol	280	11/2004 - 12/2006	
PORSCHE BOXSTER (987)	2.9	2893	Petrol	255	6/2009 - 12/2011	
PORSCHE BOXSTER (987)	3.4	3436	Petrol	310	6/2009 - 12/2011	
PORSCHE BOXSTER (987)	3.4	3387	Petrol	303	8/2008 - 12/2009	
PORSCHE BOXSTER Spyder (987)	3.4	3436	Petrol	320	6/2010 - 12/2011	
PORSCHE BOXSTER Spyder (987)	3.4	3436	Petrol	314	9/2009 - 12/2011	
PORSCHE BOXSTER Spyder (987)	3.4	3387	Petrol	303	9/2007 - 12/2008	
PORSCHE CAYMAN (981)	3.4	3436	Petrol	325	3/2013 >	
PORSCHE CAYMAN (987)	3.4	3387	Petrol	303	8/2008 - 12/2012	
PORSCHE CAYMAN (987)	2.9	2893	Petrol	265	2/2009 - 12/2012	
PORSCHE CAYMAN (987)	3.4	3436	Petrol	320	2/2009 - 6/2013	
PORSCHE CAYMAN (987)	3.4	3436	Petrol	330	11/2010 - 12/2012	
PORSCHE CAYMAN (987)	3.4	3387	Petrol	295	11/2005 - 12/2009	9/2008 >

Notes:

Manufacturers details are for guidance only. For pricing enquiries please contact our sales team on 01582 578 888

Comline Auto Parts Limited

Unit B1, Luton Enterprise Park, Sundon Road, Luton, Bedfordshire LU3 3GU

Tel: 01582 578 888 International Tel: +44 1582 578 888 Fax: 01582 578 889 International Fax: +44 1582 578 889

Email: sales@comline.uk.com Web: www.comline.uk.com