



AUTO PARTS

Product Bulletin

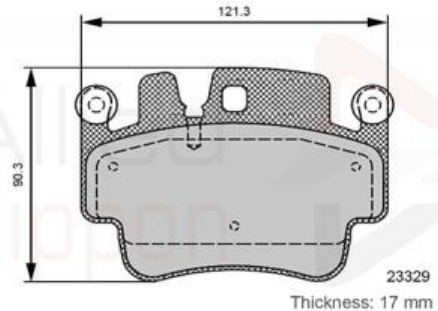
ADB06131 - Brake pad set, disc brake

Vehicles

PORSCHE,

Technical Info

Brake System_P	Brembo
Fitting Position	Front Axle
Length (mm)	121.3
Part Info	Without Wear Indicator
Thickness (mm)	17
Width (mm)	90.3



Cross References

A.B.S.	37417	A.B.S.	37417S	AKEBONO	AN-4720K
AKEBONO	AN-4720KE	ALANKO	10301120	APEC	PAD1409
ASHIKA	NIR - 11-12-2017	ATE	13.0460-4987.2	BELACO	BC1742
BLUE PRINT	NIR - 18-10-2017	BORG & BECK	BBP2202	BOSCH	0 986 424 681
BOSCH	0 986 494 281	BRAKE-ENGG	PA1850	BRAXIS	AA0252
BREMBO	P65009	BREMSI	BP3573	CIFAM	822-657-0
DELPHI	LP1996	DJ PARTS	BP2266	FEBI	16522
FERODO	FDB1742	FERODO	FSL1742	FRI.TECH.	673.0
FTE	BL1819A2	GALFER	B1.G102-0882.2	GIRLING	6117429
ICER	181627	JAPKO	NIR-30-01-2018	JURATEK	NIR-08-02-2018

Notes:

Manufacturers details are for guidance only. For pricing enquiries please contact our sales team on 01582 578 888

Comline Auto Parts Limited

Unit B1, Luton Enterprise Park, Sundon Road, Luton, Bedfordshire LU3 3GU

Tel: 01582 578 888 International Tel: +44 1582 578 888 Fax: 01582 578 889 International Fax: +44 1582 578 889

Email: sales@comline.uk.com **Web:** www.comline.uk.com



AUTO PARTS

Product Bulletin

ADB06131 - Brake pad set, disc brake

Cross References

ICER	181627	JAPKO	NIR-30-01-2018	JURATEK	NIR-08-02-2018
KAWE	0982 00	LPR	05P1371	LPR	05P1371A
LPR	05P1371B	MALO	1051196	MALO	1051197
MASTER-SPORT	13046049872N-SET-MS	METELLI	22-0657-0	METZGER	1170759
MINTEX	MDB2417	MOPROD	MBP1727	MOTAQUIP	LVXL1228
NK	225613	OPEN PARTS	BPA0982.00	OPTIMAL	12198
PAGID	T1231	PORSCHE	99635294902	PORSCHE	99635294903
PROTECHNIC	PRP1144	QH	BP1727	R BRAKE	RB1627
REMSA	0982.00	ROADHOUSE	2982.00	SCT	SP 461 PR
STELLOX	993 000B-SX	SWAG	38 91 6522	TEXTAR	2332902
TRUSTING	673.0	TRW	GDB1742	VAICO	V45-0028
VALEO	598767	VILLAR	626.1371	VILLAR	626.1371A
WAGNER	WBP23329A	WOKING	P8823.00	WVA	23329
ZIMMERMANN	23329.170.1	ZIMMERMANN	23329.170.9		

Notes:

Manufacturers details are for guidance only. For pricing enquiries please contact our sales team on 01582 578 888

Comline Auto Parts Limited

Unit B1, Luton Enterprise Park, Sundon Road, Luton, Bedfordshire LU3 3GU

Tel: 01582 578 888 International Tel: +44 1582 578 888 Fax: 01582 578 889 International Fax: +44 1582 578 889

Email: sales@comline.uk.com **Web:** www.comline.uk.com



Product Bulletin

ADB06131 - Brake pad set, disc brake

Buyers Guide

Make/Model	Litre	CC	Engine	HP	Model Year	Fitted Period
PORSCHE 911 (996)	3.4	3387	Petrol	301	9/1997 - 9/2001	
PORSCHE 911 (996)	3.6	3600	Petrol	483	10/2003 - 8/2005	
PORSCHE 911 (996)	3.6	3596	Petrol	345	2/2003 - 8/2005	
PORSCHE 911 (996)	3.6	3596	Petrol	345	2/2003 - 8/2005	
PORSCHE 911 (996)	3.6	3600	Petrol	450	2/2003 - 8/2005	
PORSCHE 911 (996)	3.6	3600	Petrol	381	3/2003 - 8/2005	
PORSCHE 911 (996)	3.6	3596	Petrol	320	10/2001 - 8/2005	
PORSCHE 911 (996)	3.6	3596	Petrol	320	10/2001 - 8/2005	
PORSCHE 911 (996)	3.6	3600	Petrol	462	4/2001 - 8/2005	
PORSCHE 911 (996)	3.4	3387	Petrol	320	5/2001 - 8/2005	
PORSCHE 911 (996)	3.4	3387	Petrol	320	5/2001 - 8/2005	
PORSCHE 911 (996)	3.6	3600	Petrol	420	6/2000 - 8/2005	
PORSCHE 911 (996)	3.6	3600	Petrol	360	3/1999 - 8/2005	
PORSCHE 911 (996)	3.4	3387	Petrol	301	9/1997 - 9/2001	
PORSCHE 911 (997)	3.8	3824	Petrol	381	8/2005 - 12/2008	
PORSCHE 911 Convertible (996)	3.4	3387	Petrol	301	2/1998 - 9/2001	
PORSCHE 911 Convertible (996)	3.6	3600	Petrol	450	10/2003 - 8/2005	
PORSCHE 911 Convertible (996)	3.6	3600	Petrol	420	10/2003 - 8/2005	
PORSCHE 911 Convertible (996)	3.6	3596	Petrol	345	6/2002 - 8/2005	
PORSCHE 911 Convertible (996)	3.6	3596	Petrol	345	6/2002 - 8/2005	
PORSCHE 911 Convertible (996)	3.6	3596	Petrol	320	10/2001 - 8/2005	
PORSCHE 911 Convertible (996)	3.6	3596	Petrol	320	10/2001 - 8/2005	
PORSCHE 911 Convertible (996)	3.4	3387	Petrol	320	5/2001 - 8/2005	
PORSCHE 911 Convertible (996)	3.4	3387	Petrol	320	5/2001 - 8/2005	
PORSCHE 911 Convertible (996)	3.4	3387	Petrol	301	2/1998 - 9/2001	
PORSCHE 911 Convertible (997)	3.8	3824	Petrol	381	8/2005 - 12/2008	

Notes:

Manufacturers details are for guidance only. For pricing enquiries please contact our sales team on 01582 578 888

Comline Auto Parts Limited

Unit B1, Luton Enterprise Park, Sundon Road, Luton, Bedfordshire LU3 3GU

Tel: 01582 578 888 International Tel: +44 1582 578 888 Fax: 01582 578 889 International Fax: +44 1582 578 889

Email: sales@comline.uk.com Web: www.comline.uk.com



COMLINE

AUTO PARTS

Product Bulletin

ADB06131 - Brake pad set, disc brake

Buyers Guide

Make/Model	Litre	CC	Engine	HP	Model Year	Fitted Period
PORSCHE 911 Targa (996)	3.6	3596	Petrol	320	12/2001 - 8/2005	
PORSCHE BOXSTER (986)	3.2	3179	Petrol	252	8/1999 - 7/2002	
PORSCHE BOXSTER (986)	3.2	3179	Petrol	260	7/2002 - 12/2004	
PORSCHE BOXSTER (986)	3.2	3179	Petrol	266	1/2004 - 12/2004	

Notes:

Manufacturers details are for guidance only. For pricing enquiries please contact our sales team on 01582 578 888

Comline Auto Parts Limited

Unit B1, Luton Enterprise Park, Sundon Road, Luton, Bedfordshire LU3 3GU

Tel: 01582 578 888 International Tel: +44 1582 578 888 Fax: 01582 578 889 International Fax: +44 1582 578 889

Email: sales@comline.uk.com **Web:** www.comline.uk.com