



AUTO PARTS

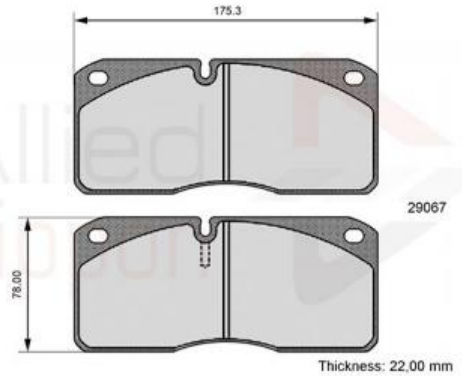
Product Bulletin

ADB06107 - Brake pad set, disc brake

Vehicles

Technical Info

Fitting Position	Front Axle
Length (mm)	175.3
Part Info	Prepared for wear indicator
Thickness (mm)	22
Width (mm)	78



Cross References

Notes:

Manufacturers details are for guidance only. For pricing enquiries please contact our sales team on 01582 578 888

Comline Auto Parts Limited

Unit B1, Luton Enterprise Park, Sundon Road, Luton, Bedfordshire LU3 3GU

Tel: 01582 578 888 International Tel: +44 1582 578 888 Fax: 01582 578 889 International Fax: +44 1582 578 889

Email: sales@comline.uk.com Web: www.comline.uk.com



AUTO PARTS

Product Bulletin

ADB06107 - Brake pad set, disc brake

Buyers Guide

Make/Model	Litre	CC	Engine	HP	Model Year	Fitted Period
------------	-------	----	--------	----	------------	---------------

Notes:

Manufacturers details are for guidance only. For pricing enquiries please contact our sales team on 01582 578 888

Comline Auto Parts Limited

Unit B1, Luton Enterprise Park, Sundon Road, Luton, Bedfordshire LU3 3GU

Tel: 01582 578 888 International Tel: +44 1582 578 888 Fax: 01582 578 889 International Fax: +44 1582 578 889

Email: sales@comline.uk.com **Web:** www.comline.uk.com