



AUTO PARTS

# Product Bulletin

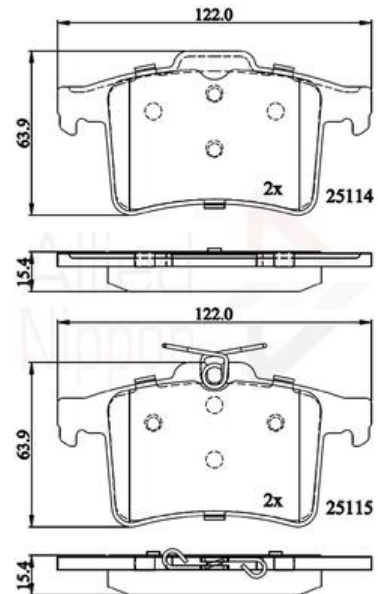
## ADB06095 - Brake pad set, disc brake

### Vehicles

JAGUAR,

### Technical Info

Brake System_P	Teves
Fitting Position	Rear Axle
Length (mm)	122.0
Part Info	Without Wear Indicator
Thickness (mm)	15.4
Width (mm)	63.9



### Cross References

A.B.S.	37819	APEC	PAD1768	ASHIKA	NIR - 11-12-2017
ATE	13.0460-7255.2	BLUE PRINT	ADJ134226	BORG & BECK	BBP2265
BOSCH	0 986 494 480	BREMBO	P36026	BREMSI	BP3484
DELPHI	LP2179	E.T.F.	12-1484	FEBI	116089
FTE	BL2639A1	GALFER	B1.G102-0944.2	GIRLING	6118772
ICER	181981	JAGUAR	C2D3792	JAPKO	NIR-30-01-2018
JURATEK	NIR-08-02-2018	KAMOKA	NIR-13-02-2018	KAWE	1428 00
LPR	NIR-15-02-2018	MASTER-SPORT	NIR - 17-11-2017	METELLI	NIR-27-02-2018
MEYLE	025 251 1416	MINTEX	MDB3171	MOPROD	MBP1781
MOTAQUIP	LVXL1928	OPTIMAL	12514	PAGID	T2072

### Notes:

Manufacturers details are for guidance only. For pricing enquiries please contact our sales team on 01582 578 888

### Comline Auto Parts Limited

Unit B1, Luton Enterprise Park, Sundon Road, Luton, Bedfordshire LU3 3GU

Tel: 01582 578 888 International Tel: +44 1582 578 888 Fax: 01582 578 889 International Fax: +44 1582 578 889

Email: [sales@comline.uk.com](mailto:sales@comline.uk.com) Web: [www.comline.uk.com](http://www.comline.uk.com)



**AUTO PARTS**

# Product Bulletin

**ADB06095 - Brake pad set, disc brake**

## Cross References

<b>MOTAQUIP</b>	LVXL1928	<b>OPTIMAL</b>	12514	<b>PAGID</b>	T2072
<b>PROTECHNIC</b>	PRP1828	<b>QH</b>	BP1781	<b>R BRAKE</b>	RB1981
<b>REMSA</b>	1428.00	<b>ROADHOUSE</b>	21428.00	<b>STELLOX</b>	000 364-SX
<b>SWAG</b>	99 11 6089	<b>TEXTAR</b>	2511401	<b>TRISCAN</b>	8110 10591
<b>TRW</b>	GDB1877	<b>WOKING</b>	P15283.00	<b>WVA</b>	25114
<b>WVA</b>	25115	<b>ZIMMERMANN</b>	NIR 25-10-17		

### Notes:

Manufacturers details are for guidance only. For pricing enquiries please contact our sales team on 01582 578 888

### Comline Auto Parts Limited

Unit B1, Luton Enterprise Park, Sundon Road, Luton, Bedfordshire LU3 3GU

Tel: 01582 578 888 International Tel: +44 1582 578 888 Fax: 01582 578 889 International Fax: +44 1582 578 889

**Email:** [sales@comline.uk.com](mailto:sales@comline.uk.com) **Web:** [www.comline.uk.com](http://www.comline.uk.com)



**AUTO PARTS**

# Product Bulletin

## ADB06095 - Brake pad set, disc brake

### Buyers Guide

Make/Model	Litre	CC	Engine	HP	Model Year	Fitted Period
JAGUAR XF (X250)	5.0	5000	Petrol	510	3/2009 - 4/2015	
JAGUAR XF (X250)	5.0	5000	Petrol	550	10/2012 - 4/2015	
JAGUAR XF (X250)	5.0	5000	Petrol	471	1/2009 - 4/2015	
JAGUAR XF SPORTBRAKE (X250)	5.0	5000	Petrol	550	2/2013 - 4/2014	
JAGUAR XJ (X351)	5.0	5000	Petrol	550	6/2013 >	
JAGUAR XJ (X351)	5.0	5000	Petrol	575	7/2017 >	
JAGUAR XJ (X351)	5.0	5000	Petrol	471	10/2009 >	
JAGUAR XJ (X351)	5.0	5000	Petrol	510	10/2009 >	
JAGUAR XK Convertible (X150)	5.0	5000	Petrol	550	1/2011 - 7/2014	
JAGUAR XK Convertible (X150)	5.0	5000	Petrol	510	1/2009 - 7/2014	
JAGUAR XK Coupe (X150)	5.0	5000	Petrol	530	9/2010 - 7/2014	
JAGUAR XK Coupe (X150)	5.0	5000	Petrol	510	1/2009 - 7/2014	
JAGUAR XK Coupe (X150)	5.0	5000	Petrol	550	1/2011 - 7/2014	

#### Notes:

Manufacturers details are for guidance only. For pricing enquiries please contact our sales team on 01582 578 888

#### Comline Auto Parts Limited

Unit B1, Luton Enterprise Park, Sundon Road, Luton, Bedfordshire LU3 3GU

Tel: 01582 578 888 International Tel: +44 1582 578 888 Fax: 01582 578 889 International Fax: +44 1582 578 889

**Email:** [sales@comline.uk.com](mailto:sales@comline.uk.com) **Web:** [www.comline.uk.com](http://www.comline.uk.com)