



AUTO PARTS

# Product Bulletin

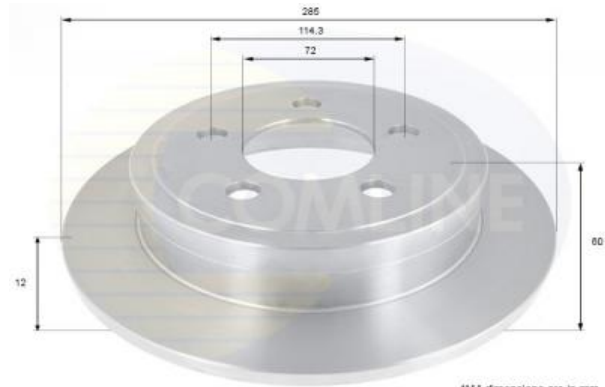
## ADC2326 - Brake disc

### Vehicles

JEEP,

### Technical Info

Brake Disc Thickness (mm)	12	Minimum Thickness (mm)	11
Brake Disc Type	Solid Disc	Number of Holes	5
Centering Diameter (mm)	72	Outer Diameter (mm)	285
Fitting Position	Rear Axle	Pitch Circle	114.3
Height (mm)	60		



\*\*All dimensions are in mm.

### Cross References

<b>A.B.S.</b>	18199	<b>ABE</b>	C4Y003ABE	<b>ALLIED NIPPON</b>	AND6930
<b>AP</b>	14993	<b>APEC</b>	DSK2637	<b>ASHIKA</b>	61-09-905
<b>ASHUKI</b>	US104308	<b>ATE</b>	NIR - 14-11-2017	<b>BETTAPARTS</b>	BD1557S
<b>BLUE PRINT</b>	ADA104308	<b>BORG &amp; BECK</b>	BBD4734	<b>BORG &amp; BECK</b>	BBD5351
<b>BRECO</b>	BS 7785	<b>BRECO</b>	BS7785	<b>BREMBO</b>	08.A636.10
<b>BREMBO</b>	08.A636.11	<b>CAR</b>	142.337	<b>DELPHI</b>	BG4648
<b>FEBI</b>	NIR-11-01-2018	<b>FERODO</b>	DDF2288C	<b>FREMAX</b>	BD-5122
<b>GIRLING</b>	6063864	<b>ICER</b>	78BD5122-2	<b>IPS-PARTS</b>	IBP-1996
<b>JAPANPARTS</b>	DP-905	<b>JAPKO</b>	61905	<b>JEEP</b>	5016434AA
<b>JEEP</b>	52128411AA	<b>JEEP</b>	52128411AB	<b>JEEP</b>	K52128411AA

### Notes:

Manufacturers details are for guidance only. For pricing enquiries please contact our sales team on 01582 578 888

### Comline Auto Parts Limited

Unit B1, Luton Enterprise Park, Sundon Road, Luton, Bedfordshire LU3 3GU

Tel: 01582 578 888 International Tel: +44 1582 578 888 Fax: 01582 578 889 International Fax: +44 1582 578 889

Email: [sales@comline.uk.com](mailto:sales@comline.uk.com) Web: [www.comline.uk.com](http://www.comline.uk.com)



**AUTO PARTS**

# Product Bulletin

## ADC2326 - Brake disc

### Cross References

<b>JEEP</b>	52128411AA	<b>JEEP</b>	52128411AB	<b>JEEP</b>	K52128411AA
<b>JEEP</b>	K52128411AB	<b>JURATEK</b>	CHR112	<b>KAMOKA</b>	NIR-13-02-2018
<b>LPR</b>	J2006P	<b>MASTER-SPORT</b>	NIR - 17-11-2017	<b>METELLI</b>	23-1017C
<b>MINTEX</b>	MDC2391	<b>NATIONAL</b>	NBD1650	<b>NK</b>	209327
<b>NK</b>	319327	<b>OPTIMAL</b>	BS-7724	<b>PAGID</b>	54940
<b>QH</b>	BDC5867	<b>REMSA</b>	NIR - 02-11-2017	<b>ROADHOUSE</b>	NIR - 02-11-2017
<b>SBS</b>	1815209327	<b>SBS</b>	1815319327	<b>TEXTAR</b>	92194003
<b>TRISCAN</b>	8120 101018	<b>TRISCAN</b>	8120101018	<b>TRW</b>	DF6386
<b>ZIMMERMANN</b>	NIR 24-10-17				

#### Notes:

Manufacturers details are for guidance only. For pricing enquiries please contact our sales team on 01582 578 888

#### Comline Auto Parts Limited

Unit B1, Luton Enterprise Park, Sundon Road, Luton, Bedfordshire LU3 3GU

Tel: 01582 578 888 International Tel: +44 1582 578 888 Fax: 01582 578 889 International Fax: +44 1582 578 889

**Email:** [sales@comline.uk.com](mailto:sales@comline.uk.com) **Web:** [www.comline.uk.com](http://www.comline.uk.com)



**AUTO PARTS**

# Product Bulletin

## ADC2326 - Brake disc

### Buyers Guide

Make/Model	Litre	CC	Engine	HP	Model Year	Fitted Period
JEEP CHEROKEE (KJ)	2.8	2776	Diesel	163	11/2004 - 1/2008	2/2005 - 2/2006
JEEP CHEROKEE (KJ)	3.7	3700	Petrol	204	8/2003 - 1/2008	2/2004 - 11/2007
JEEP CHEROKEE (KJ)	2.4	2429	Petrol	147	10/2001 - 9/2004	2/2003 >
JEEP CHEROKEE (KJ)	3.7	3700	Petrol	204	10/2001 - 9/2004	2/2003 >
JEEP CHEROKEE (KJ)	2.8	2776	Diesel	150	11/2002 - 1/2008	> 11/2004
JEEP CHEROKEE (KJ)	2.5	2499	Diesel	143	9/2001 - 1/2008	2/2003 >
JEEP CHEROKEE (KJ)	3.7	3698	Petrol	211	9/2001 - 1/2008	2/2003 >
JEEP CHEROKEE (KJ)	2.4	2429	Petrol	147	9/2001 - 1/2008	2/2003 - 11/2007
JEEP CHEROKEE (KJ)	3.7	3700	Petrol	214	9/2001 - 10/2007	
JEEP WRANGLER II (TJ)	4.0	3964	Petrol	177	8/1996 - 4/2007	
JEEP WRANGLER Mk II (TJ)	4.0	3964	Petrol	174	8/2003 - 4/2007	
JEEP WRANGLER Mk II (TJ)	2.4	2429	Petrol	143	11/2002 - 4/2007	2/2003 >
JEEP WRANGLER Mk II (TJ)	4.0	3960	Petrol	169	6/1998 - 4/2007	
JEEP WRANGLER Mk II (TJ)	4.0	3960	Petrol	177	8/1996 - 4/2007	2/2003 >

#### Notes:

Manufacturers details are for guidance only. For pricing enquiries please contact our sales team on 01582 578 888

#### Comline Auto Parts Limited

Unit B1, Luton Enterprise Park, Sundon Road, Luton, Bedfordshire LU3 3GU

Tel: 01582 578 888 International Tel: +44 1582 578 888 Fax: 01582 578 889 International Fax: +44 1582 578 889

**Email:** [sales@comline.uk.com](mailto:sales@comline.uk.com) **Web:** [www.comline.uk.com](http://www.comline.uk.com)