



**AUTO PARTS**

# Product Bulletin

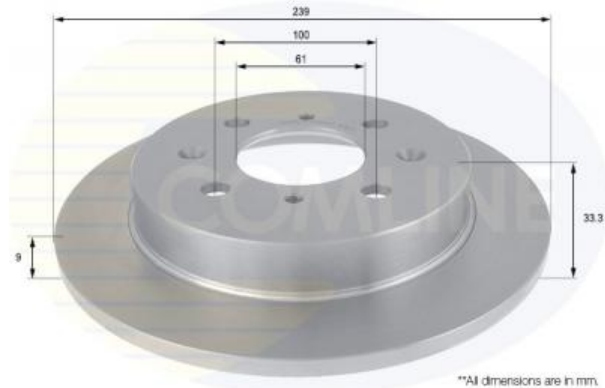
## ADC0573 - Brake disc

### Vehicles

HONDA,

### Technical Info

Brake Disc Thickness (mm)	9	Minimum Thickness (mm)	8
Brake Disc Type	Solid Disc	Number of Bores	4
Centering Diameter (mm)	61	Number of Holes	4
Fitting Position	Rear Axle	Outer Diameter (mm)	239
Height (mm)	33.3	Pitch Circle	100



\*All dimensions are in mm.

### Cross References

<b>A.B.S.</b>	18064	<b>ABE</b>	C44039ABE	<b>ALLIED NIPPON</b>	AND6415
<b>APEC</b>	DSK3000	<b>ASHIKA</b>	61-04-417	<b>ASHUKI</b>	H039-48
<b>ATE</b>	24.0109-0178.1	<b>BETTAPARTS</b>	BD1877S	<b>BLUE PRINT</b>	ADH243115
<b>BORG &amp; BECK</b>	BBD5172	<b>BOSCH</b>	0 986 479 739	<b>Brake Fit</b>	SDK6296
<b>BRAKE-ENGG</b>	DI956981	<b>BREMBO</b>	08.B602.10	<b>CAR</b>	142.1566
<b>DELPHI</b>	BG4334	<b>DELPHI</b>	BG4334C	<b>E.T.F.</b>	19-1705
<b>FEBI</b>	NIR-11-01-2018	<b>FERODO</b>	DDF2244C	<b>FRI.TECH.</b>	DF1396
<b>HERTH+BUSS</b>	J3314043	<b>HONDA</b>	42510TF0000	<b>HONDA</b>	42510TG0T00
<b>JAKOPARTS</b>					
<b>HONDA</b>	42510TG5H00	<b>ICER</b>	NIR-18-01-2018	<b>IPS-PARTS</b>	IBP-1408
<b>JAPANPARTS</b>	DP-417	<b>JAPKO</b>	61417	<b>JURATEK</b>	NIR-08-02-2018

### Notes:

Manufacturers details are for guidance only. For pricing enquiries please contact our sales team on 01582 578 888

### Comline Auto Parts Limited

Unit B1, Luton Enterprise Park, Sundon Road, Luton, Bedfordshire LU3 3GU

Tel: 01582 578 888 International Tel: +44 1582 578 888 Fax: 01582 578 889 International Fax: +44 1582 578 889

**Email:** [sales@comline.uk.com](mailto:sales@comline.uk.com) **Web:** [www.comline.uk.com](http://www.comline.uk.com)



**AUTO PARTS**

# Product Bulletin

## ADC0573 - Brake disc

### Cross References

<b>JAPANPARTS</b>	DP-417	<b>JAPKO</b>	61417	<b>JURATEK</b>	NIR-08-02-2018
<b>KAMOKA</b>	NIR-13-02-2018	<b>KAVO</b>	BR-2276	<b>KAWE</b>	61395 00
<b>KAWE</b>	6139500	<b>LPR</b>	H1035P	<b>MASTER-SPORT</b>	NIR - 17-11-2017
<b>METELLI</b>	23-1664	<b>MEYLE</b>	31-15 523 0061	<b>MEYLE</b>	MBD2116
<b>MINTEX</b>	MDC2299	<b>MOTAQUIP</b>	LVBD1659	<b>NATIONAL</b>	NBD1616
<b>NIPPARTS</b>	N3314040	<b>NK</b>	202657	<b>NK</b>	312657
<b>NPS</b>	H331A45	<b>OPEN PARTS</b>	BDA2553.10	<b>OPTIMAL</b>	NIR-14-03-2018
<b>PAGID</b>	55040	<b>PROTECHNIC</b>	PRD5341	<b>QH</b>	BDC6002
<b>REMSA</b>	61395.00	<b>ROADHOUSE</b>	61395.00	<b>SBS</b>	1815202657
<b>SBS</b>	1815312657	<b>TEXTAR</b>	92204000	<b>TRISCAN</b>	8120 40163
<b>TRISCAN</b>	812040163	<b>TRUSTING</b>	DF1396	<b>TRW</b>	DF6378
<b>TRW</b>	DF6673	<b>WOKING</b>	D61395.00	<b>ZIMMERMANN</b>	280.3181.20

#### Notes:

Manufacturers details are for guidance only. For pricing enquiries please contact our sales team on 01582 578 888

#### Comline Auto Parts Limited

Unit B1, Luton Enterprise Park, Sundon Road, Luton, Bedfordshire LU3 3GU

Tel: 01582 578 888 International Tel: +44 1582 578 888 Fax: 01582 578 889 International Fax: +44 1582 578 889

**Email:** [sales@comline.uk.com](mailto:sales@comline.uk.com) **Web:** [www.comline.uk.com](http://www.comline.uk.com)



**AUTO PARTS**

# Product Bulletin

## ADC0573 - Brake disc

### Buyers Guide

Make/Model	Litre	CC	Engine	HP	Model Year	Fitted Period
HONDA JAZZ III (GE)	1.5	1496	Petrol	120	7/2008 >	
HONDA JAZZ III (GE_, GG_, GP_, ZA_)	1.3	1339	Petrol	100	7/2008 >	
HONDA JAZZ III (GE_, GG_, GP_, ZA_)	1.2	1198	Petrol	90	7/2008 >	
HONDA JAZZ III (GE_, GG_, GP_, ZA_)	1.3	1339	Hybrid	88	4/2011 >	
HONDA JAZZ III (GE_, GG_, GP_, ZA_)	1.4	1339	Petrol	101	11/2008 >	
HONDA JAZZ IV (GK_)	1.3	1318	Petrol	102	9/2015 >	

#### Notes:

Manufacturers details are for guidance only. For pricing enquiries please contact our sales team on 01582 578 888

#### Comline Auto Parts Limited

Unit B1, Luton Enterprise Park, Sundon Road, Luton, Bedfordshire LU3 3GU

Tel: 01582 578 888 International Tel: +44 1582 578 888 Fax: 01582 578 889 International Fax: +44 1582 578 889

**Email:** [sales@comline.uk.com](mailto:sales@comline.uk.com) **Web:** [www.comline.uk.com](http://www.comline.uk.com)