



**AUTO PARTS**

# Product Bulletin

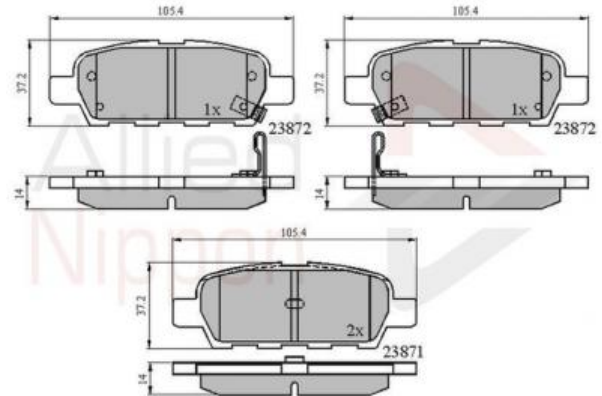
## ADB3912 - Brake pad set, disc brake

### Vehicles

INFINITI, NISSAN, RENAULT, SUZUKI,

### Technical Info

Fitting Position	Rear Axle
Length (mm)	105.4
Part Info	With acoustic wear warning
Thickness (mm)	14
Width (mm)	37.2



### Cross References

<b>A.B.S.</b>	37321	<b>A.B.S.</b>	37745	<b>ACDELCO</b>	AC695681D
<b>APEC</b>	PAD1264	<b>APEC</b>	PAD1826	<b>APEC</b>	PAD2165
<b>ASHIKA</b>	51-01-154	<b>ATE</b>	13.0460-5843.2	<b>BENDIX</b>	572573B
<b>BETTAPARTS</b>	ABP3950	<b>BETTAPARTS</b>	PLU3950	<b>BLUE PRINT</b>	ADN142113
<b>BLUE PRINT</b>	ADN142137	<b>BORG &amp; BECK</b>	BBP1839	<b>BORG &amp; BECK</b>	BBP2283
<b>BOSCH</b>	0 986 494 090	<b>BR-WORLD</b>	BW4006	<b>Brake Fit</b>	PD3067
<b>Brake Fit</b>	PD3280	<b>BRAKE-ENGG</b>	PA1432	<b>BREMBO</b>	P 56 068
<b>BREMBO</b>	P56046	<b>BREMBO</b>	P56068	<b>CIFAM</b>	822-612-0
<b>COMLINE</b>	CBP3912	<b>DELPHI</b>	LP1807	<b>DELPHI</b>	LP3158
<b>E.T.F.</b>	12-1395	<b>EBC</b>	DP1666	<b>EFI</b>	EDP1666

### Notes:

Manufacturers details are for guidance only. For pricing enquiries please contact our sales team on 01582 578 888

### Comline Auto Parts Limited

Unit B1, Luton Enterprise Park, Sundon Road, Luton, Bedfordshire LU3 3GU

Tel: 01582 578 888 International Tel: +44 1582 578 888 Fax: 01582 578 889 International Fax: +44 1582 578 889

**Email:** [sales@comline.uk.com](mailto:sales@comline.uk.com) **Web:** [www.comline.uk.com](http://www.comline.uk.com)



**AUTO PARTS**

# Product Bulletin

## ADB3912 - Brake pad set, disc brake

### Cross References

<b>E.T.F.</b>	12-1395	<b>EBC</b>	DP1666	<b>EFI</b>	EDP1666
<b>FAHREN</b>	FBP0146	<b>FEBI</b>	NIR-11-01-2018	<b>FERODO</b>	FDB1693
<b>FERODO</b>	FSL1693	<b>FIBA</b>	FBP1184	<b>FIRST LINE</b>	FBP3471
<b>FREMAX</b>	FBP-1914	<b>FTE</b>	BL2583A1	<b>GIRLING</b>	6132949
<b>HERTH+BUSS JAKOPARTS</b>	J3611051	<b>HP</b>	7405	<b>ICER</b>	181901
<b>INFINITI</b>	D40601BN0A	<b>INFINITI</b>	D40601MB0A	<b>INFINITI</b>	D4M601BN0A
<b>INFINITI</b>	D4M60EG50C	<b>JAPANPARTS</b>	PP-154AF	<b>JAPKO</b>	51154
<b>JURATEK</b>	JCP1693	<b>JURID</b>	572573J	<b>KAMOKA</b>	JQ1013386
<b>KAVO</b>	BP-6605	<b>KAWE</b>	0876 01	<b>KEY PARTS</b>	KBP1839
<b>KEY PARTS</b>	KBP2326	<b>LPR</b>	05P1839	<b>LPR</b>	05P1862
<b>LPR</b>	05P857	<b>MASTER-SPORT</b>	13046058432N-SET-MS	<b>METELLI</b>	22-0612-0
<b>METZGER</b>	0876.31	<b>METZGER</b>	1170079	<b>MEYLE</b>	025 238 7114/PD
<b>MEYLE</b>	025 238 7114/W	<b>MEYLE</b>	025 248 7113/W	<b>MEYLE</b>	MBP0462
<b>MEYLE</b>	MBP1195PD	<b>MINTEX</b>	MDB2261	<b>MINTEX</b>	MDB3026
<b>MINTEX</b>	MDB3396	<b>MOPROD</b>	MBP1371	<b>MOTAQUIP</b>	LVXL1086
<b>NIPPARTS</b>	N3611051	<b>NISSAN</b>	D40609HM0B	<b>NISSAN</b>	D40609N00A
<b>NISSAN</b>	D4M609N00A	<b>NISSAN</b>	D4M609N00B	<b>NK</b>	222257
<b>OPEN PARTS</b>	BPA0876.31	<b>OPTIMAL</b>	87601	<b>PAGID</b>	T1847
<b>QH</b>	BP1371	<b>RAICAM</b>	RA.0526.2	<b>REMSA</b>	0876.01
<b>RENAULT</b>	440605435R	<b>ROADHOUSE</b>	2876.01	<b>SAMKO</b>	5SP857
<b>SOLID-AUTO</b>	N104064	<b>SUZUKI</b>	5580077K00	<b>SUZUKI</b>	5580077K01
<b>TEXTAR</b>	2387101	<b>TRISCAN</b>	8110 68187	<b>TRUPARTS</b>	DP41264

#### Notes:

Manufacturers details are for guidance only. For pricing enquiries please contact our sales team on 01582 578 888

#### Comline Auto Parts Limited

Unit B1, Luton Enterprise Park, Sundon Road, Luton, Bedfordshire LU3 3GU

Tel: 01582 578 888 International Tel: +44 1582 578 888 Fax: 01582 578 889 International Fax: +44 1582 578 889

**Email:** [sales@comline.uk.com](mailto:sales@comline.uk.com) **Web:** [www.comline.uk.com](http://www.comline.uk.com)



**AUTO PARTS**

# Product Bulletin

## ADB3912 - Brake pad set, disc brake

### Cross References

<b>TRISCAN</b>	8110 68187	<b>TRUPARTS</b>	DP41264	<b>TRUSTING</b>	628.0
<b>TRW</b>	GDB3294	<b>TRW</b>	GDB3507	<b>TRW</b>	GDB3508
<b>WVA</b>	24871	<b>ZIMMERMANN</b>	23871.138.1	<b>Ztec</b>	BP23871.0

### Notes:

Manufacturers details are for guidance only. For pricing enquiries please contact our sales team on 01582 578 888

### Comline Auto Parts Limited

Unit B1, Luton Enterprise Park, Sundon Road, Luton, Bedfordshire LU3 3GU

Tel: 01582 578 888 International Tel: +44 1582 578 888 Fax: 01582 578 889 International Fax: +44 1582 578 889

**Email:** [sales@comline.uk.com](mailto:sales@comline.uk.com) **Web:** [www.comline.uk.com](http://www.comline.uk.com)



**AUTO PARTS**

# Product Bulletin

## ADB3912 - Brake pad set, disc brake

### Buyers Guide

Make/Model	Litre	CC	Engine	HP	Model Year	Fitted Period
INFINITI EX	3.7	3694	Petrol	310	10/2008 >	
INFINITI EX	3.0	2993	Diesel	238	4/2010 >	
INFINITI EX	2.5	2495	Petrol	238	4/2010 >	
INFINITI EX	3.7	3696	Petrol	320	9/2010 >	
INFINITI EX	3.5	3498	Petrol	301	10/2008 >	
INFINITI EX	2.5	2495	Petrol	222	9/2007 >	
INFINITI FX	3.5	3498	Petrol	280	1/2003 - 12/2008	
INFINITI FX	4.5	4494	Petrol	316	1/2003 - 12/2008	
INFINITI FX	4.5	4494	Petrol	328	10/2008 >	
INFINITI FX	3.5	3498	Petrol	280	2/2003 - 12/2008	
INFINITI FX	4.5	4494	Petrol	316	2/2003 - 12/2008	
INFINITI FX	3.5	3498	Petrol	303	1/2012 >	
INFINITI FX	3.7	3696	Petrol	320	10/2008 >	
INFINITI FX	3.5	3498	Petrol	307	10/2008 - 12/2011	
INFINITI G Convertible	3.7	3696	Petrol	333	9/2010 >	
INFINITI G Convertible	3.7	3696	Petrol	329	9/2010 >	
INFINITI G Convertible	3.7	3696	Petrol	320	9/2010 >	
INFINITI G Coupe	3.7	3696	Petrol	333	9/2008 - 12/2012	
INFINITI G Coupe	3.7	3696	Petrol	320	9/2010 >	
INFINITI G Coupe	3.5	3498	Petrol	284	9/2002 - 12/2006	
INFINITI G Saloon	3.7	3696	Petrol	320	10/2008 >	
INFINITI G Saloon	3.5	3498	Petrol	260	10/2002 >	
INFINITI G Saloon	3.7	3696	Petrol	320	10/2008 >	
INFINITI G Saloon	3.7	3696	Petrol	333	9/2008 - 12/2013	
INFINITI G Saloon	2.5	2496	Petrol	222	1/2011 >	
INFINITI G Saloon	3.5	3498	Petrol	310	1/2007 - 12/2008	

#### Notes:

Manufacturers details are for guidance only. For pricing enquiries please contact our sales team on 01582 578 888

#### Comline Auto Parts Limited

Unit B1, Luton Enterprise Park, Sundon Road, Luton, Bedfordshire LU3 3GU

Tel: 01582 578 888 International Tel: +44 1582 578 888 Fax: 01582 578 889 International Fax: +44 1582 578 889

**Email:** [sales@comline.uk.com](mailto:sales@comline.uk.com) **Web:** [www.comline.uk.com](http://www.comline.uk.com)



**AUTO PARTS**

# Product Bulletin

## ADB3912 - Brake pad set, disc brake

### Buyers Guide

Make/Model	Litre	CC	Engine	HP	Model Year	Fitted Period
INFINITI G Saloon	3.5	3498	Petrol	284	9/2004 - 6/2007	
INFINITI JX Closed Off-Road Vehicle	3.5	3498	Petrol	265	11/2012 - 9/2013	
INFINITI JX Closed Off-Road Vehicle	3.5	3498	Petrol	269	9/2012 >	
INFINITI M (Y51)	5.6	5552	Petrol	408	3/2010 >	
INFINITI M (Y51)	3.7	3696	Petrol	320	3/2010 >	
INFINITI M (Y51)	3.7	3696	Petrol	334	9/2010 >	
INFINITI M (Y51)	3.5	3498	Hybrid	306	4/2011 >	
INFINITI M (Y51)	3.0	2993	Diesel	238	3/2010 >	
INFINITI M (Y51)	2.5	2495	Petrol	222	7/2010 >	
INFINITI M35	3.5	3498	Hybrid	364	1/2010 >	
INFINITI M35	3.5	3498	Petrol	307	9/2008 - 12/2010	
INFINITI M35	3.5	3498	Petrol	307	9/2008 - 12/2010	
INFINITI M37	3.7	3696	Petrol	330	1/2010 >	
INFINITI M37	3.7	3969	Petrol	330	1/2010 >	
INFINITI Q50	3.5	3498	Hybrid	306	4/2013 >	
INFINITI Q50	3.5	3498	Hybrid	306	4/2013 >	
INFINITI Q50	3.5	3498	Hybrid	364	4/2013 >	
INFINITI Q50	3.5	3498	Hybrid	364	4/2013 >	
INFINITI Q50	2.0	1991	Petrol	211	4/2014 >	
INFINITI Q50	2.2	2143	Diesel	170	4/2013 >	
INFINITI Q60 Convertible	3.7	3696	Petrol	320	10/2013 >	
INFINITI Q60 Coupe	2.0	1991	Petrol	211	9/2016 >	
INFINITI Q60 Coupe	3.7	3696	Petrol	320	10/2013 >	
INFINITI Q70 (Y51)	3.7	3696	Petrol	320	3/2013 >	
INFINITI Q70 (Y51)	3.5	3498	Hybrid	306	3/2013 >	
INFINITI Q70 (Y51)	2.2	2143	Diesel	170	10/2014 >	

#### Notes:

Manufacturers details are for guidance only. For pricing enquiries please contact our sales team on 01582 578 888

#### Comline Auto Parts Limited

Unit B1, Luton Enterprise Park, Sundon Road, Luton, Bedfordshire LU3 3GU

Tel: 01582 578 888 International Tel: +44 1582 578 888 Fax: 01582 578 889 International Fax: +44 1582 578 889

**Email:** [sales@comline.uk.com](mailto:sales@comline.uk.com) **Web:** [www.comline.uk.com](http://www.comline.uk.com)





# Product Bulletin

## ADB3912 - Brake pad set, disc brake

### Buyers Guide

Make/Model	Litre	CC	Engine	HP	Model Year	Fitted Period
INFINITI Q70 (Y51)	3.0	2993	Diesel	238	3/2013 >	
INFINITI Q70 (Y51)	5.6	5552	Petrol	408	1/2015 >	
INFINITI Q70 (Y51)	3.7	3696	Petrol	333	1/2014 >	
INFINITI QX50	3.7	3696	Petrol	320	8/2013 >	
INFINITI QX50	3.0	2993	Diesel	238	8/2013 >	
INFINITI QX50	2.5	2495	Petrol	222	2/2014 >	
INFINITI QX60	3.5	3498	Petrol	262	10/2013 >	
INFINITI QX60	3.5	3498	Petrol	265	4/2012 >	
NISSAN ALTIMA (L31)	2.5	2488	Petrol	165	8/2001 - 9/2006	
NISSAN ALTIMA (L31)	3.5	3498	Petrol	245	8/2001 - 9/2006	
NISSAN ALTIMA (L32)	3.5	3498	Petrol	273	10/2006 - 7/2013	
NISSAN CUBE (Z11)	1.5	1498	Petrol	109	1/2003 - 9/2005	
NISSAN CUBE (Z12)	1.5	1461	Diesel	106	3/2010 >	
NISSAN CUBE (Z12)	1.6	1598	Petrol	110	3/2010 >	
NISSAN CUBE (Z12)	1.5	1461	Diesel	110	3/2010 >	
NISSAN ELGRAND (E51)	3.5	3498	Petrol	241	5/2002 - 12/2010	
NISSAN ELGRAND (E51)	2.5	2495	Petrol	186	12/2004 - 12/2010	
NISSAN ELGRAND (E51)	3.5	3498	Petrol	241	5/2002 - 12/2010	
NISSAN ELGRAND (E51)	2.5	2495	Petrol	186	12/2004 - 12/2010	
NISSAN JUKE (F15)	1.6	1598	Petrol	116	1/2012 >	
NISSAN JUKE (F15)	1.6	1598	Petrol	94	1/2013 >	
NISSAN JUKE (F15)	1.6	1618	Petrol	200	3/2013 - 7/2014	
NISSAN JUKE (F15)	1.6	1618	Petrol	200	2/2013 - 7/2014	
NISSAN JUKE (F15)	1.5	1461	Diesel	110	6/2010 >	
NISSAN JUKE (F15)	1.6	1618	Petrol	214	8/2014 >	
NISSAN JUKE (F15)	1.2	1197	Petrol	115	5/2014 >	

#### Notes:

Manufacturers details are for guidance only. For pricing enquiries please contact our sales team on 01582 578 888

#### Comline Auto Parts Limited

Unit B1, Luton Enterprise Park, Sundon Road, Luton, Bedfordshire LU3 3GU

Tel: 01582 578 888 International Tel: +44 1582 578 888 Fax: 01582 578 889 International Fax: +44 1582 578 889

Email: [sales@comline.uk.com](mailto:sales@comline.uk.com) Web: [www.comline.uk.com](http://www.comline.uk.com)



# Product Bulletin

## ADB3912 - Brake pad set, disc brake

### Buyers Guide

Make/Model	Litre	CC	Engine	HP	Model Year	Fitted Period
NISSAN JUKE (F15)	1.6	1618	Petrol	190	6/2010 >	
NISSAN JUKE (F15)	1.6	1618	Petrol	218	8/2014 >	
NISSAN JUKE (F15)	1.6	1618	Petrol	190	6/2010 >	
NISSAN JUKE (F15)	1.6	1598	Petrol	117	6/2010 >	
NISSAN LEAF (ZE0)	0.0	0	Electr	109	11/2010 >	
NISSAN LEAF (ZE1_)	0.0	0	Electr	150	8/2017 >	
NISSAN MURANO I (Z50)	3.5	3498	Petrol	234	8/2003 - 9/2008	
NISSAN MURANO I (Z50)	3.5	3498	Petrol	231	1/2006 - 9/2008	
NISSAN MURANO II (Z51)	3.5	3498	Petrol	249	12/2010 - 9/2014	
NISSAN MURANO II (Z51)	3.5	3498	Petrol	260	12/2009 - 9/2014	
NISSAN MURANO II (Z51)	3.5	3498	Petrol	269	9/2008 - 12/2010	
NISSAN MURANO II (Z51)	2.5	2488	Diesel	190	1/2010 - 9/2014	
NISSAN MURANO II (Z51)	3.5	3498	Petrol	256	10/2008 - 9/2014	
NISSAN MURANO III (Z52_)	3.5	3498	Petrol	256	10/2014 >	
NISSAN NV200 / EVALIA Bus	0.0	0	Electr	109	7/2014 >	
NISSAN NV200 Box Body / Estate	0.0	0	Electr	109	5/2014 >	
NISSAN PATHFINDER IV (R52)	3.5	3498	Petrol	249	8/2014 >	
NISSAN PULSAR (N17)	1.6	1598	Petrol	116	8/2012 >	
NISSAN PULSAR Hatchback (C13)	1.6	1618	Petrol	190	2/2015 >	
NISSAN PULSAR Hatchback (C13)	1.5	1461	Diesel	110	10/2014 >	
NISSAN PULSAR Hatchback (C13)	1.2	1197	Petrol	115	10/2014 >	
NISSAN QASHQAI / QASHQAI +2 I (J10, NJ10)	2.0	1997	Petrol	141	2/2007 - 12/2013	
NISSAN QASHQAI / QASHQAI +2 I (J10, NJ10)	2.0	1997	Petrol	139	2/2007 - 12/2013	
NISSAN QASHQAI / QASHQAI +2 I (J10, NJ10)	2.0	1997	Petrol	141	2/2007 - 12/2013	
NISSAN QASHQAI / QASHQAI +2 I (J10, NJ10)	1.5	1461	Diesel	103	7/2008 - 12/2013	
NISSAN QASHQAI / QASHQAI +2 I (J10, NJ10)	2.0	1995	Diesel	150	2/2007 - 12/2013	

#### Notes:

Manufacturers details are for guidance only. For pricing enquiries please contact our sales team on 01582 578 888

#### Comline Auto Parts Limited

Unit B1, Luton Enterprise Park, Sundon Road, Luton, Bedfordshire LU3 3GU

Tel: 01582 578 888 International Tel: +44 1582 578 888 Fax: 01582 578 889 International Fax: +44 1582 578 889

Email: [sales@comline.uk.com](mailto:sales@comline.uk.com) Web: [www.comline.uk.com](http://www.comline.uk.com)



# Product Bulletin

## ADB3912 - Brake pad set, disc brake

### Buyers Guide

Make/Model	Litre	CC	Engine	HP	Model Year	Fitted Period
NISSAN QASHQAI / QASHQAI +2 I (J10, NJ10)	1.5	1461	Diesel	106	2/2007 - 12/2013	
NISSAN QASHQAI / QASHQAI +2 I (J10, NJ10)	1.5	1461	Diesel	110	1/2010 - 12/2013	
NISSAN QASHQAI / QASHQAI +2 I (J10, NJ10)	1.6	1598	Petrol	117	11/2010 - 12/2013	
NISSAN QASHQAI / QASHQAI +2 I (J10, NJ10)	2.0	1997	Petrol	139	2/2007 - 12/2013	
NISSAN QASHQAI / QASHQAI +2 I (J10, NJ10)	1.6	1598	Diesel	130	10/2011 - 12/2013	
NISSAN QASHQAI / QASHQAI +2 I (J10, NJ10)	1.6	1598	Diesel	130	10/2011 - 12/2013	
NISSAN QASHQAI / QASHQAI +2 I (J10, NJ10)	1.6	1598	Petrol	114	2/2007 - 12/2013	
NISSAN QASHQAI / QASHQAI +2 I (J10, NJ10)	2.0	1995	Diesel	150	2/2007 - 12/2013	
NISSAN QUEST (V42)	3.5	3498	Petrol	239	5/2003 >	
NISSAN SENTRA VII (B17)	1.6	1598	Petrol	117	8/2014 >	
NISSAN SENTRA VII (B17)	1.8	1798	Petrol	131	8/2012 >	
NISSAN TEANA I (J31)	3.5	3498	Petrol	231	10/2003 - 6/2008	
NISSAN TEANA I (J31)	2.0	1998	Petrol	140	10/2003 - 6/2008	
NISSAN TEANA I (J31)	2.3	2349	Petrol	173	10/2003 - 6/2008	
NISSAN TEANA II (J32)	3.5	3498	Petrol	249	7/2008 - 9/2013	
NISSAN TEANA II (J32)	2.5	2496	Petrol	182	7/2008 - 9/2013	
NISSAN TEANA II (J32)	2.3	2349	Petrol	173	7/2008 - 9/2013	
NISSAN TEANA III (J33, L33)	2.5	2488	Petrol	173	9/2013 >	
NISSAN TIIDA Hatchback (C11)	1.5	1461	Diesel	106	9/2007 - 12/2011	
NISSAN TIIDA Hatchback (C11)	1.8	1798	Petrol	126	9/2007 - 12/2011	
NISSAN TIIDA Hatchback (C11)	1.6	1598	Petrol	110	9/2007 - 12/2011	
NISSAN TIIDA Hatchback (C12)	1.6	1618	Petrol	190	2/2013 >	
NISSAN TIIDA Saloon (SC11)	1.5	1461	Diesel	103	1/2007 - 12/2012	
NISSAN TIIDA Saloon (SC11)	1.6	1598	Petrol	110	9/2007 - 12/2012	
NISSAN TIIDA Saloon (SC11)	1.8	1798	Petrol	126	9/2007 - 12/2012	
NISSAN TIIDA Saloon (SC11)	1.5	1461	Diesel	106	9/2007 - 12/2012	

#### Notes:

Manufacturers details are for guidance only. For pricing enquiries please contact our sales team on 01582 578 888

#### Comline Auto Parts Limited

Unit B1, Luton Enterprise Park, Sundon Road, Luton, Bedfordshire LU3 3GU

Tel: 01582 578 888 International Tel: +44 1582 578 888 Fax: 01582 578 889 International Fax: +44 1582 578 889

Email: [sales@comline.uk.com](mailto:sales@comline.uk.com) Web: [www.comline.uk.com](http://www.comline.uk.com)





# Product Bulletin

## ADB3912 - Brake pad set, disc brake

### Buyers Guide

Make/Model	Litre	CC	Engine	HP	Model Year	Fitted Period
NISSAN X-TRAIL (T30)	2.5	2488	Petrol	179	11/2002 - 1/2013	
NISSAN X-TRAIL (T30)	2.0	1998	Petrol	150	9/2001 - 1/2013	
NISSAN X-TRAIL (T30)	2.0	1998	Petrol	140	7/2001 - 1/2013	
NISSAN X-TRAIL (T30)	2.2	2184	Diesel	114	6/2001 - 9/2003	
NISSAN X-TRAIL (T30)	2.2	2184	Diesel	114	7/2001 - 10/2005	
NISSAN X-TRAIL (T30)	2.5	2488	Petrol	165	9/2002 - 1/2013	
NISSAN X-TRAIL (T30)	2.0	1998	Petrol	280	6/2001 - 1/2013	
NISSAN X-TRAIL (T30)	2.2	2184	Diesel	136	12/2003 - 1/2013	
NISSAN X-TRAIL (T30)	2.2	2184	Diesel	136	12/2003 - 1/2013	
NISSAN X-TRAIL (T30)	2.0	1998	Petrol	140	7/2001 - 1/2013	
NISSAN X-TRAIL (T30)	2.0	1998	Petrol	150	9/2001 - 1/2013	
NISSAN X-TRAIL (T31)	2.0	1995	Diesel	150	6/2007 - 11/2013	
NISSAN X-TRAIL (T31)	2.5	2488	Petrol	180	9/2007 - 7/2014	
NISSAN X-TRAIL (T31)	2.0	1995	Diesel	150	6/2007 - 11/2013	
NISSAN X-TRAIL (T31)	2.0	1997	Petrol	137	6/2007 - 11/2013	
NISSAN X-TRAIL (T31)	2.5	2488	Petrol	169	6/2007 - 11/2013	
NISSAN X-TRAIL (T31)	2.0	1995	Diesel	173	6/2007 - 11/2013	
NISSAN X-TRAIL (T31)	2.0	1997	Petrol	141	6/2007 - 11/2013	
NISSAN X-TRAIL (T31)	2.0	1998	Petrol	140	6/2008 - 11/2013	
NISSAN X-TRAIL (T31)	2.0	1998	Petrol	140	6/2008 - 11/2013	
NISSAN X-TRAIL (T31)	2.0	1997	Petrol	141	3/2007 - 11/2013	
NISSAN X-TRAIL (T32_)	2.5	2488	Petrol	171	12/2013 >	
RENAULT KOLEOS I (HY_)	2.5	2488	Petrol	171	9/2008 >	
RENAULT KOLEOS I (HY_)	2.0	1995	Diesel	173	9/2008 >	
RENAULT KOLEOS I (HY_)	2.0	1995	Diesel	150	9/2008 >	
RENAULT KOLEOS I (HY_)	2.0	1995	Diesel	150	9/2008 >	

#### Notes:

Manufacturers details are for guidance only. For pricing enquiries please contact our sales team on 01582 578 888

#### Comline Auto Parts Limited

Unit B1, Luton Enterprise Park, Sundon Road, Luton, Bedfordshire LU3 3GU

Tel: 01582 578 888 International Tel: +44 1582 578 888 Fax: 01582 578 889 International Fax: +44 1582 578 889

Email: [sales@comline.uk.com](mailto:sales@comline.uk.com) Web: [www.comline.uk.com](http://www.comline.uk.com)



**AUTO PARTS**

# Product Bulletin

## ADB3912 - Brake pad set, disc brake

### Buyers Guide

Make/Model	Litre	CC	Engine	HP	Model Year	Fitted Period
RENAULT KOLEOS I (HY_)	2.5	2488	Petrol	171	9/2008 >	
SUZUKI GRAND VITARA II (JT, TE, TD)	2.0	1995	Petrol	140	10/2005 - 2/2015	
SUZUKI GRAND VITARA II (JT, TE, TD)	1.9	1870	Diesel	129	3/2006 - 8/2008	
SUZUKI GRAND VITARA II (JT, TE, TD)	3.2	3195	Petrol	233	1/2009 - 2/2015	
SUZUKI GRAND VITARA II (JT, TE, TD)	2.4	2393	Petrol	169	1/2009 >	
SUZUKI GRAND VITARA II (JT, TE, TD)	2.4	2393	Petrol	166	1/2009 >	
SUZUKI GRAND VITARA II (JT, TE, TD)	1.9	1870	Diesel	129	10/2005 - 2/2015	
SUZUKI XL7 (DA, DB)	3.6	3564	Petrol	252	1/2007 - 12/2009	

#### Notes:

Manufacturers details are for guidance only. For pricing enquiries please contact our sales team on 01582 578 888

#### Comline Auto Parts Limited

Unit B1, Luton Enterprise Park, Sundon Road, Luton, Bedfordshire LU3 3GU

Tel: 01582 578 888 International Tel: +44 1582 578 888 Fax: 01582 578 889 International Fax: +44 1582 578 889

**Email:** [sales@comline.uk.com](mailto:sales@comline.uk.com) **Web:** [www.comline.uk.com](http://www.comline.uk.com)