



**AUTO PARTS**

# Product Bulletin

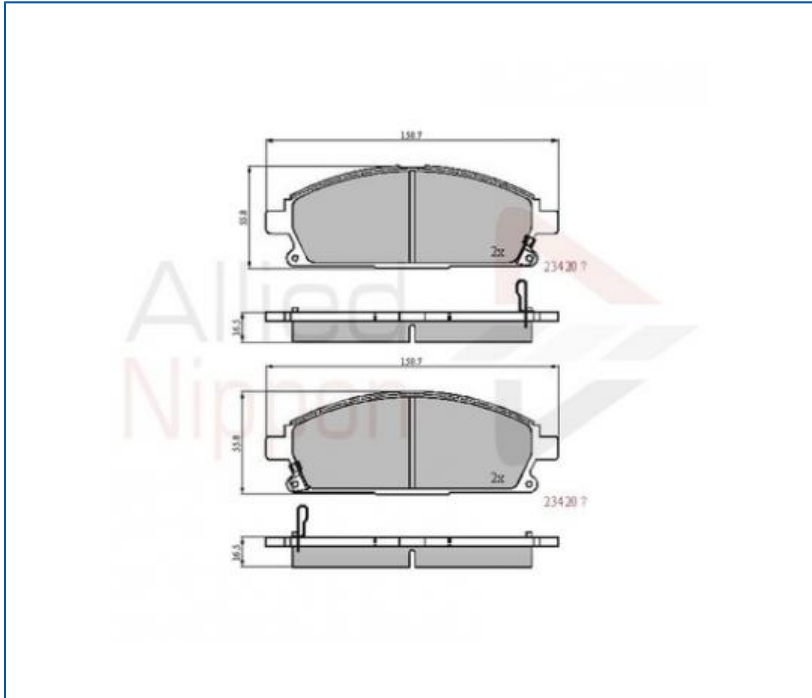
## ADB3591 - Brake pad set, disc brake

### Vehicles

ACURA, HONDA, INFINITI, NISSAN,

### Technical Info

Fitting Position	Front Axle
Length (mm)	158.7
Part Info	With acoustic wear warning
Thickness (mm)	16.5
Width (mm)	55.8



### Cross References

<b>A.B.S.</b>	37081	<b>ACDELCO</b>	AC695381D	<b>APEC</b>	PAD1311
<b>ASHIKA</b>	50-01-154	<b>ATE</b>	NIR - 14-11-2017	<b>BENDIX</b>	572466B
<b>BETTAPARTS</b>	ABP3956	<b>BETTAPARTS</b>	PLU3956	<b>BLUE PRINT</b>	ADN142115
<b>BORG &amp; BECK</b>	BBP1820	<b>BOSCH</b>	0 986 424 715	<b>BR-WORLD</b>	BW4032
<b>Brake Fit</b>	PD3186	<b>BREMBO</b>	P56040	<b>COMLINE</b>	CBP3591
<b>DELPHI</b>	LP1659	<b>E.T.F.</b>	12-0857	<b>EBC</b>	DP1247
<b>EFI</b>	EDP1247	<b>EURO-FRIC</b>	EDP1228	<b>FAHREN</b>	FBP0145
<b>FEBI</b>	NIR-11-01-2018	<b>FERODO</b>	FDB1263	<b>FERODO</b>	FSL1263
<b>FIBA</b>	FBP1365	<b>FIRST LINE</b>	FBP3452	<b>FMSI</b>	7566-D691
<b>FRI.TECH.</b>	421.2	<b>GOODWILL</b>	1012 F	<b>HERTH+BUSS JAKOPARTS</b>	J3601071

### Notes:

Manufacturers details are for guidance only. For pricing enquiries please contact our sales team on 01582 578 888

### Comline Auto Parts Limited

Unit B1, Luton Enterprise Park, Sundon Road, Luton, Bedfordshire LU3 3GU

Tel: 01582 578 888 International Tel: +44 1582 578 888 Fax: 01582 578 889 International Fax: +44 1582 578 889

**Email:** [sales@comline.uk.com](mailto:sales@comline.uk.com) **Web:** [www.comline.uk.com](http://www.comline.uk.com)



**AUTO PARTS**

# Product Bulletin

## ADB3591 - Brake pad set, disc brake

### Cross References

<b>FRI.TECH.</b>	421.2	<b>GOODWILL</b>	1012 F	<b>HERTH+BUSS JAKOPARTS</b>	J3601071
<b>HP</b>	7154	<b>HP</b>	7495	<b>ICER</b>	181521
<b>JAPANPARTS</b>	PA-154AF	<b>JAPKO</b>	50154	<b>JURATEK</b>	JCP1263
<b>KAMOKA</b>	JQ1012526	<b>KAVO</b>	BP-6559	<b>LPR</b>	05P846
<b>MASTER-SPORT</b>	13046133122N-SET-MS	<b>METELLI</b>	22-0406-1	<b>METZGER</b>	1170159
<b>MEYLE</b>	025 234 2016/W	<b>MEYLE</b>	MBP0343	<b>MINTEX</b>	MDB1975
<b>MINTEX</b>	MDB3735	<b>MOTAQUIP</b>	LVXL1085	<b>NATIONAL</b>	NP2292
<b>NIPPARTS</b>	J3601071	<b>NISSAN</b>	410601W385	<b>NISSAN</b>	410601W386
<b>NISSAN</b>	410601W387	<b>NISSAN</b>	410605W585	<b>NISSAN</b>	410608H785
<b>NISSAN</b>	41060H386	<b>NISSAN</b>	41060VH385	<b>NISSAN</b>	D10608H71A
<b>NISSAN</b>	D10608H785	<b>NISSAN</b>	D1060CN91B	<b>OPTIMAL</b>	12125
<b>QH</b>	BP1081	<b>REMSA</b>	0674.02	<b>REMSA</b>	0674.12
<b>ROADHOUSE</b>	2674.02	<b>SBS</b>	1501222256	<b>SBS</b>	222256
<b>SCT</b>	SP 338	<b>TEXTAR</b>	2342004	<b>TRUPARTS</b>	DP41311
<b>TRUSTING</b>	421.1	<b>TRW</b>	GDB3167	<b>TRW</b>	GDB3268
<b>TRW</b>	GDB3293	<b>TRW</b>	GDB3312	<b>VECO</b>	VA1108
<b>WVA</b>	23420	<b>WVA</b>	2342016.5	<b>ZIMMERMANN</b>	NIR 25-10-17
<b>Ztec</b>	BP23420.0	<b>Ztec</b>	BP23422.0		

### Notes:

Manufacturers details are for guidance only. For pricing enquiries please contact our sales team on 01582 578 888

### Comline Auto Parts Limited

Unit B1, Luton Enterprise Park, Sundon Road, Luton, Bedfordshire LU3 3GU

Tel: 01582 578 888 International Tel: +44 1582 578 888 Fax: 01582 578 889 International Fax: +44 1582 578 889

**Email:** [sales@comline.uk.com](mailto:sales@comline.uk.com) **Web:** [www.comline.uk.com](http://www.comline.uk.com)



# Product Bulletin

## ADB3591 - Brake pad set, disc brake

### Buyers Guide

Make/Model	Litre	CC	Engine	HP	Model Year	Fitted Period
ACURA MDX (YD1)	3.5	3471	Petrol	243	3/2001 - 12/2005	
ACURA MDX (YD1)	3.5	3471	Petrol	262	8/2000 - 12/2005	
ACURA MDX (YD1)	3.5	3471	Petrol	253	8/2005 - 9/2006	
ACURA MDX (YD2)	3.7	3664	Petrol	299	10/2006 >	
ACURA MDX (YD2)	3.7	3664	Petrol	309	10/2006 >	
HONDA ELYSION	2.4	2354	Petrol	160	5/2004 >	
INFINITI Q45 II (FY33)	4.1	4130	Petrol	278	1/1997 - 1/2001	
INFINITI QX4	3.3	3275	Petrol	170	1/1997 >	> 10/2002
NISSAN CIMA	4.1	4130	Petrol	269	7/1996 - 2/2001	
NISSAN ELGRAND (E50)	3.0	2953	Diesel	170	8/1999 - 4/2002	
NISSAN ELGRAND (E50)	3.0	2953	Diesel	170	8/1999 - 4/2002	
NISSAN ELGRAND (E50)	3.0	2953	Diesel	154	8/1999 - 8/2000	
NISSAN ELGRAND (E50)	3.5	3498	Petrol	241	8/2000 - 4/2002	
NISSAN ELGRAND (E50)	3.3	3275	Petrol	170	4/1996 - 8/2001	
NISSAN ELGRAND (E50)	3.3	3275	Petrol	170	4/1996 - 4/2002	
NISSAN ELGRAND (E50)	3.2	3153	Diesel	150	10/1995 - 8/2001	
NISSAN ELGRAND (E50)	3.2	3153	Diesel	150	10/1995 - 8/2001	
NISSAN ELGRAND (E51)	3.5	3498	Petrol	241	5/2002 - 12/2010	
NISSAN ELGRAND (E51)	3.5	3498	Petrol	241	5/2002 - 12/2010	
NISSAN ELGRAND (E51)	2.5	2495	Petrol	186	12/2004 - 12/2010	
NISSAN ELGRAND (E51)	2.5	2495	Petrol	186	12/2004 - 12/2010	
NISSAN PATHFINDER II (R50)	3.3	3275	Petrol	150	3/1998 - 10/2000	
NISSAN PATHFINDER II (R50)	3.5	3498	Petrol	220	11/2000 - 12/2004	
NISSAN PATHFINDER II (R50)	2.7	2664	Diesel	131	9/1997 - 12/2004	
NISSAN QUEST (V42)	3.5	3498	Petrol	239	5/2003 >	
NISSAN SERENA (C24)	2.0	1998	Petrol	145	9/2000 - 9/2005	

#### Notes:

Manufacturers details are for guidance only. For pricing enquiries please contact our sales team on 01582 578 888

#### Comline Auto Parts Limited

Unit B1, Luton Enterprise Park, Sundon Road, Luton, Bedfordshire LU3 3GU

Tel: 01582 578 888 International Tel: +44 1582 578 888 Fax: 01582 578 889 International Fax: +44 1582 578 889

Email: [sales@comline.uk.com](mailto:sales@comline.uk.com) Web: [www.comline.uk.com](http://www.comline.uk.com)



**AUTO PARTS**

# Product Bulletin

## ADB3591 - Brake pad set, disc brake

### Buyers Guide

Make/Model	Litre	CC	Engine	HP	Model Year	Fitted Period
NISSAN SERENA (C24)	2.0	1998	Petrol	145	9/2000 - 9/2005	
NISSAN SERENA (C24)	2.5	2488	Diesel	150	6/1999 - 9/2005	
NISSAN SERENA (C24)	2.5	2488	Diesel	150	6/1999 - 9/2005	
NISSAN TERRANO II (R50)	3.2	3153	Diesel	150	9/1997 - 12/2004	
NISSAN TERRANO II (R50)	3.3	3275	Petrol	170	9/1997 - 12/2004	
NISSAN X-TRAIL (T30)	2.0	1998	Petrol	280	6/2001 - 1/2013	
NISSAN X-TRAIL (T30)	2.0	1998	Petrol	150	9/2001 - 1/2013	
NISSAN X-TRAIL (T30)	2.5	2488	Petrol	179	11/2002 - 1/2013	
NISSAN X-TRAIL (T30)	2.0	1998	Petrol	150	9/2001 - 1/2013	
NISSAN X-TRAIL (T30)	2.2	2184	Diesel	136	12/2003 - 1/2013	
NISSAN X-TRAIL (T30)	2.0	1998	Petrol	140	7/2001 - 1/2013	
NISSAN X-TRAIL (T30)	2.2	2184	Diesel	136	12/2003 - 1/2013	
NISSAN X-TRAIL (T30)	2.5	2488	Petrol	165	9/2002 - 1/2013	
NISSAN X-TRAIL (T30)	2.2	2184	Diesel	114	7/2001 - 10/2005	
NISSAN X-TRAIL (T30)	2.0	1998	Petrol	140	7/2001 - 1/2013	
NISSAN X-TRAIL (T30)	2.2	2184	Diesel	114	6/2001 - 9/2003	

#### Notes:

Manufacturers details are for guidance only. For pricing enquiries please contact our sales team on 01582 578 888

#### Comline Auto Parts Limited

Unit B1, Luton Enterprise Park, Sundon Road, Luton, Bedfordshire LU3 3GU

Tel: 01582 578 888 International Tel: +44 1582 578 888 Fax: 01582 578 889 International Fax: +44 1582 578 889

**Email:** [sales@comline.uk.com](mailto:sales@comline.uk.com) **Web:** [www.comline.uk.com](http://www.comline.uk.com)