



AUTO PARTS

# Product Bulletin

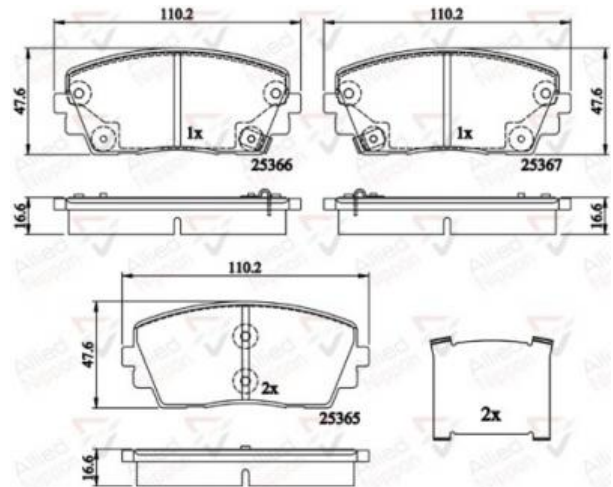
## ADB32159 - Brake pad set, disc brake

### Vehicles

KIA,

### Technical Info

Fitting Position	Front Axle
Length (mm)	110.2
Part Info	With acoustic wear warning
Thickness (mm)	16.6
Width (mm)	47.6



### Cross References

<b>A.B.S.</b>	37910	<b>ACDELCO</b>	AC0581726D	<b>APEC</b>	PAD1877
<b>ASHIKA</b>	50-0K-K23	<b>ATE</b>	13.0460-5649.2	<b>BETTAPARTS</b>	PLU2215
<b>BLUE PRINT</b>	ADG042131	<b>BORG &amp; BECK</b>	BBP2332	<b>Brake Fit</b>	PD3292
<b>BRAKE-ENGG</b>	PA1988	<b>BREMBO</b>	P30053	<b>COMLINE</b>	CBP32159
<b>DELPHI</b>	LP2296	<b>FEBI</b>	NIR-11-01-2018	<b>FRI.TECH.</b>	957.0
<b>GIRLING</b>	6135359	<b>HERTH+BUSS JAKOPARTS</b>	J3600341	<b>HYUNDAI</b>	581011YA30
<b>ICER</b>	182034	<b>JAPANPARTS</b>	PA-K23AF	<b>JAPKO</b>	50K23
<b>JURATEK</b>	NIR-08-02-2018	<b>KAMOKA</b>	NIR-13-02-2018	<b>KAVO</b>	BP-3045
<b>KEY PARTS</b>	KBP2332	<b>KIA</b>	581011YA00	<b>KIA</b>	581011YA30
<b>LPR</b>	05P1726	<b>MASTER-SPORT</b>	13046056492N-SET-MS	<b>METELLI</b>	22-0941-0

### Notes:

Manufacturers details are for guidance only. For pricing enquiries please contact our sales team on 01582 578 888

### Comline Auto Parts Limited

Unit B1, Luton Enterprise Park, Sundon Road, Luton, Bedfordshire LU3 3GU

Tel: 01582 578 888 International Tel: +44 1582 578 888 Fax: 01582 578 889 International Fax: +44 1582 578 889

Email: [sales@comline.uk.com](mailto:sales@comline.uk.com) Web: [www.comline.uk.com](http://www.comline.uk.com)



**AUTO PARTS**

# Product Bulletin

## ADB32159 - Brake pad set, disc brake

### Cross References

<b>LPR</b>	05P1726	<b>MASTER-SPORT</b>	13046056492N-SET-MS	<b>METELLI</b>	22-0941-0
<b>MINTEX</b>	MDB3297	<b>MOTAQUIP</b>	LVXL1817	<b>NATIONAL</b>	NP2693
<b>NIPPARTS</b>	N3600332	<b>OPTIMAL</b>	12536	<b>PAGID</b>	T3150
<b>RAICAM</b>	RA.1030.0	<b>REMSA</b>	1481.02	<b>ROADHOUSE</b>	21481.02
<b>SCT</b>	SP 742	<b>TEXTAR</b>	2536501	<b>TRUSTING</b>	957.0
<b>TRW</b>	GDB3535	<b>WOKING</b>	P15813.02	<b>WVA</b>	25365
<b>WVA</b>	25366	<b>WVA</b>	25367	<b>ZIMMERMANN</b>	NIR 25-10-17

### Notes:

Manufacturers details are for guidance only. For pricing enquiries please contact our sales team on 01582 578 888

### Comline Auto Parts Limited

Unit B1, Luton Enterprise Park, Sundon Road, Luton, Bedfordshire LU3 3GU

Tel: 01582 578 888 International Tel: +44 1582 578 888 Fax: 01582 578 889 International Fax: +44 1582 578 889

**Email:** [sales@comline.uk.com](mailto:sales@comline.uk.com) **Web:** [www.comline.uk.com](http://www.comline.uk.com)



**AUTO PARTS**

# Product Bulletin

## ADB32159 - Brake pad set, disc brake

### Buyers Guide

Make/Model	Litre	CC	Engine	HP	Model Year	Fitted Period
KIA PICANTO (JA)	1.0	998	Petrol	100	3/2017 >	
KIA PICANTO (JA)	1.2	1248	Petrol	84	3/2017 >	
KIA PICANTO (JA)	1.0	998	Petrol	67	3/2017 >	
KIA PICANTO (SA)	1.1	1086	Petrol	65	4/2004 >	> 1/2008
KIA PICANTO (SA)	1.0	999	Petrol	63	9/2007 >	
KIA PICANTO (SA)	1.1	1120	Diesel	75	11/2005 >	
KIA PICANTO (SA)	1.0	999	Petrol	61	4/2004 >	> 1/2008
KIA PICANTO (TA)	1.0	998	Petrol	69	5/2011 >	
KIA PICANTO (TA)	1.0	998	Petrol	82	5/2011 >	
KIA PICANTO (TA)	1.0	998	Petrol	67	8/2013 >	
KIA PICANTO (TA)	1.0	998	Petrol	67	4/2015 >	
KIA PICANTO (TA)	1.2	1248	Petrol	85	9/2011 >	

#### Notes:

Manufacturers details are for guidance only. For pricing enquiries please contact our sales team on 01582 578 888

#### Comline Auto Parts Limited

Unit B1, Luton Enterprise Park, Sundon Road, Luton, Bedfordshire LU3 3GU

Tel: 01582 578 888 International Tel: +44 1582 578 888 Fax: 01582 578 889 International Fax: +44 1582 578 889

**Email:** [sales@comline.uk.com](mailto:sales@comline.uk.com) **Web:** [www.comline.uk.com](http://www.comline.uk.com)