



AUTO PARTS

# Product Bulletin

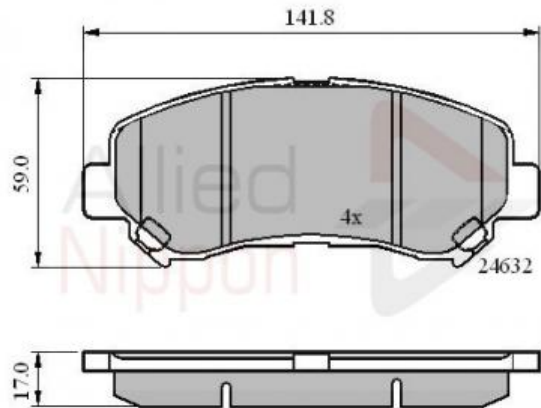
## ADB01577 - Brake pad set, disc brake

### Vehicles

NISSAN,

### Technical Info

Fitting Position	Front Axle
Length (mm)	141.8
Part Info	Without Wear Indicator
Thickness (mm)	17.0
Width (mm)	59.0



### Cross References

<b>A.B.S.</b>	37625	<b>ACDELCO</b>	AC845981D	<b>APEC</b>	PAD1621
<b>ASHIKA</b>	50-01-123	<b>ATE</b>	13.0460-5752.2	<b>BETTAPARTS</b>	PLU1366
<b>BLUE PRINT</b>	ADN142139	<b>BORG &amp; BECK</b>	BBP2084	<b>BOSCH</b>	0 986 494 244
<b>BR-WORLD</b>	BW4255	<b>Brake Fit</b>	PD3146	<b>BRAKE-ENGG</b>	PA1775
<b>BREMBO</b>	P56062	<b>BREMBO</b>	P79028	<b>CIFAM</b>	822-792-0
<b>COMLINE</b>	CBP01577	<b>DELPHI</b>	LP2031	<b>E.T.F.</b>	12-1321
<b>FAHREN</b>	FBP0182	<b>FEBI</b>	16738	<b>FERODO</b>	FDB4051
<b>FIBA</b>	FBP1451	<b>FRI.TECH.</b>	808.0	<b>GOODWILL</b>	1026 F
<b>HERTH+BUSS JAKOPARTS</b>	J3601098	<b>ICER</b>	181834	<b>JAPANPARTS</b>	PA-123AF
<b>JAPKO</b>	50123	<b>JURATEK</b>	JCP4051	<b>KAMOKA</b>	JQ1018102

### Notes:

Manufacturers details are for guidance only. For pricing enquiries please contact our sales team on 01582 578 888

### Comline Auto Parts Limited

Unit B1, Luton Enterprise Park, Sundon Road, Luton, Bedfordshire LU3 3GU

Tel: 01582 578 888 International Tel: +44 1582 578 888 Fax: 01582 578 889 International Fax: +44 1582 578 889

Email: [sales@comline.uk.com](mailto:sales@comline.uk.com) Web: [www.comline.uk.com](http://www.comline.uk.com)



**AUTO PARTS**

# Product Bulletin

## ADB01577 - Brake pad set, disc brake

### Cross References

<b>JAPKO</b>	50123	<b>JURATEK</b>	JCP4051	<b>KAMOKA</b>	JQ1018102
<b>KAVO</b>	BP-6600	<b>LPR</b>	05P1314	<b>LUCAS</b>	GDB3467
<b>MASTER-SPORT</b>	13046057522N-SET-MS	<b>METELLI</b>	22-0792-0	<b>METZGER</b>	1170093
<b>MEYLE</b>	025 246 3217	<b>MEYLE</b>	025 246 3217/PD	<b>MEYLE</b>	025 291 7130
<b>MEYLE</b>	MBP0643	<b>MEYLE</b>	MBP0643PD	<b>MEYLE</b>	MBP1596
<b>MINTEX</b>	MDB2938	<b>MOPROD</b>	MBP1596	<b>MOTAQUIP</b>	LVXL1360
<b>NATIONAL</b>	NP2277	<b>NECTO</b>	FD7340A	<b>NIPPARTS</b>	J3601096
<b>NISSAN</b>	D1060JD00A	<b>NISSAN</b>	D1060JD00J	<b>NK</b>	222269
<b>OPTIMAL</b>	12372	<b>PAGID</b>	T1751	<b>QH</b>	BP1596
<b>RAICAM</b>	RA.0950.0	<b>REMSA</b>	1318.00	<b>ROADHOUSE</b>	21318.00
<b>SAMKO</b>	5SP1314	<b>SCT</b>	SP 337	<b>TEXTAR</b>	2463201
<b>TRUPARTS</b>	DP41621	<b>TRUSTING</b>	808.0	<b>TRW</b>	GDB3467
<b>VECO</b>	VA1789	<b>WVA</b>	24632	<b>WVA</b>	2463217004
<b>WVA</b>	8449D1374	<b>ZIMMERMANN</b>	24632.170.1	<b>Ztec</b>	BP24632.0

#### Notes:

Manufacturers details are for guidance only. For pricing enquiries please contact our sales team on 01582 578 888

#### Comline Auto Parts Limited

Unit B1, Luton Enterprise Park, Sundon Road, Luton, Bedfordshire LU3 3GU

Tel: 01582 578 888 International Tel: +44 1582 578 888 Fax: 01582 578 889 International Fax: +44 1582 578 889

**Email:** [sales@comline.uk.com](mailto:sales@comline.uk.com) **Web:** [www.comline.uk.com](http://www.comline.uk.com)



# Product Bulletin

## ADB01577 - Brake pad set, disc brake

### Buyers Guide

Make/Model	Litre	CC	Engine	HP	Model Year	Fitted Period
NISSAN QASHQAI / QASHQAI +2 I (J10, NJ10)	1.5	1461	Diesel	103	7/2008 - 12/2013	
NISSAN QASHQAI / QASHQAI +2 I (J10, NJ10)	2.0	1995	Diesel	150	2/2007 - 12/2013	> 1/2010
NISSAN QASHQAI / QASHQAI +2 I (J10, NJ10)	2.0	1995	Diesel	150	2/2007 - 12/2013	> 2/2010
NISSAN QASHQAI / QASHQAI +2 I (J10, NJ10)	1.5	1461	Diesel	106	2/2007 - 12/2013	
NISSAN QASHQAI / QASHQAI +2 I (J10, NJ10)	1.6	1598	Petrol	114	2/2007 - 12/2013	
NISSAN QASHQAI / QASHQAI +2 I (J10, NJ10)	2.0	1997	Petrol	139	2/2007 - 12/2013	
NISSAN QASHQAI / QASHQAI +2 I (J10, NJ10)	2.0	1997	Petrol	139	2/2007 - 12/2013	
NISSAN QASHQAI / QASHQAI +2 I (J10, NJ10)	1.6	1598	Diesel	130	10/2011 - 12/2013	
NISSAN QASHQAI / QASHQAI +2 I (J10, NJ10)	1.5	1461	Diesel	110	1/2010 - 12/2013	
NISSAN QASHQAI / QASHQAI +2 I (J10, NJ10)	1.6	1598	Petrol	117	11/2010 - 12/2013	
NISSAN QASHQAI / QASHQAI +2 I (J10, NJ10)	2.0	1997	Petrol	141	2/2007 - 12/2013	
NISSAN QASHQAI / QASHQAI +2 I (J10, NJ10)	2.0	1997	Petrol	141	2/2007 - 12/2013	
NISSAN QASHQAI / QASHQAI +2 I (J10, NJ10)	1.6	1598	Diesel	130	10/2011 - 12/2013	
NISSAN X-TRAIL (T31)	2.0	1995	Diesel	150	6/2007 - 11/2013	
NISSAN X-TRAIL (T31)	2.0	1997	Petrol	141	6/2007 - 11/2013	
NISSAN X-TRAIL (T31)	2.0	1995	Diesel	173	6/2007 - 11/2013	> 11/2007
NISSAN X-TRAIL (T31)	2.5	2488	Petrol	180	9/2007 - 7/2014	
NISSAN X-TRAIL (T31)	2.0	1997	Petrol	137	6/2007 - 11/2013	
NISSAN X-TRAIL (T31)	2.0	1995	Diesel	150	6/2007 - 11/2013	
NISSAN X-TRAIL (T31)	2.0	1998	Petrol	140	6/2008 - 11/2013	
NISSAN X-TRAIL (T31)	2.0	1998	Petrol	140	6/2008 - 11/2013	
NISSAN X-TRAIL (T31)	2.0	1997	Petrol	141	3/2007 - 11/2013	
NISSAN X-TRAIL (T31)	2.5	2488	Petrol	169	6/2007 - 11/2013	

#### Notes:

Manufacturers details are for guidance only. For pricing enquiries please contact our sales team on 01582 578 888

#### Comline Auto Parts Limited

Unit B1, Luton Enterprise Park, Sundon Road, Luton, Bedfordshire LU3 3GU

Tel: 01582 578 888 International Tel: +44 1582 578 888 Fax: 01582 578 889 International Fax: +44 1582 578 889

Email: [sales@comline.uk.com](mailto:sales@comline.uk.com) Web: [www.comline.uk.com](http://www.comline.uk.com)