



AUTO PARTS

# Product Bulletin

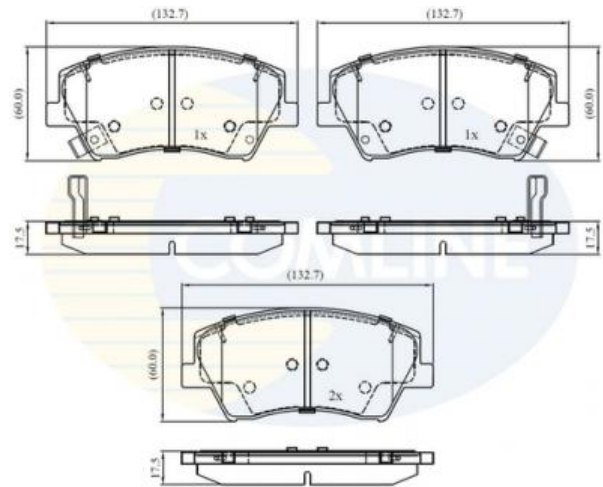
## CBP32343 - Brake pad set, disc brake

### Vehicles

HYUNDAI, KIA

### Technical Info

**Fitting Position** Front Axle  
**Length (mm)** 132.7  
**Part Info** With acoustic wear warning  
**Thickness (mm)** 17.5



### Cross References

|                   |           |                             |             |                |             |
|-------------------|-----------|-----------------------------|-------------|----------------|-------------|
| <b>BLUE PRINT</b> | ADG042174 | <b>CIFAM</b>                | 822-1092-0  | <b>DELPHI</b>  | LP3264      |
| <b>FRI.TECH.</b>  | 1092.0    | <b>HERTH+BUSS JAKOPARTS</b> | J3600345    | <b>HYUNDAI</b> | 58101-G2A10 |
| <b>KAVO</b>       | KBP-4034  | <b>KIA</b>                  | 58101-G2A10 | <b>METELLI</b> | 22-1092-0   |
| <b>RAICAM</b>     | RA.1192.0 | <b>TRUSTING</b>             | 1092.0      |                |             |

### Notes:

Manufacturers details are for guidance only. For pricing enquiries please contact our sales team on 01582 578 888

### Comline Auto Parts Limited

Unit B1, Luton Enterprise Park, Sundon Road, Luton, Bedfordshire LU3 3GU

Tel: 01582 578 888 International Tel: +44 1582 578 888 Fax: 01582 578 889 International Fax: +44 1582 578 889

**Email:** [sales@comline.uk.com](mailto:sales@comline.uk.com) **Web:** [www.comline.uk.com](http://www.comline.uk.com)



**AUTO PARTS**

# Product Bulletin

CBP32343 - Brake pad set, disc brake

## Buyers Guide

| Make/Model         | Litre | CC   | Engine | HP  | Model Year | Fitted Period |
|--------------------|-------|------|--------|-----|------------|---------------|
| HYUNDAI IONIQ (AE) | 0.0   | 0    | Electr | 120 | 3/2016 >   |               |
| HYUNDAI IONIQ (AE) | 1.6   | 1580 | Hybrid | 105 | 3/2016 >   |               |
| KIA NIRO           | 1.6   | 1580 | Hybrid | 105 | 9/2016 >   |               |

### Notes:

Manufacturers details are for guidance only. For pricing enquiries please contact our sales team on 01582 578 888

### Comline Auto Parts Limited

Unit B1, Luton Enterprise Park, Sundon Road, Luton, Bedfordshire LU3 3GU

Tel: 01582 578 888 International Tel: +44 1582 578 888 Fax: 01582 578 889 International Fax: +44 1582 578 889

**Email:** [sales@comline.uk.com](mailto:sales@comline.uk.com) **Web:** [www.comline.uk.com](http://www.comline.uk.com)