



AUTO PARTS

Product Bulletin

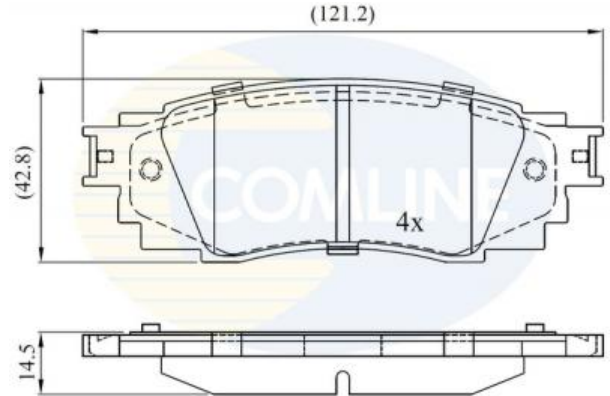
CBP02430 - Brake pad set, disc brake

Vehicles

TOYOTA,

Technical Info

Fitting Position	Rear Axle
Length (mm)	121.2
Part Info	Prepared for wear indicator
Thickness (mm)	14.5
Width (mm)	42.9



Cross References

APEC	PAD2066	BLUE PRINT	ADT342227	TOYOTA	04466-10010
-------------	----------------	-------------------	------------------	---------------	--------------------

Notes:

Manufacturers details are for guidance only. For pricing enquiries please contact our sales team on 01582 578 888

Comline Auto Parts Limited

Unit B1, Luton Enterprise Park, Sundon Road, Luton, Bedfordshire LU3 3GU

Tel: 01582 578 888 International Tel: +44 1582 578 888 Fax: 01582 578 889 International Fax: +44 1582 578 889

Email: sales@comline.uk.com **Web:** www.comline.uk.com



AUTO PARTS

Product Bulletin

CBP02430 - Brake pad set, disc brake

Buyers Guide

Make/Model	Litre	CC	Engine	HP	Model Year	Fitted Period
TOYOTA C-HR (_X1_)	1.8	1798	Hybrid	98	10/2016 >	
TOYOTA C-HR (_X1_)	1.2	1197	Petrol	116	10/2016 >	
TOYOTA C-HR (_X1_)	1.2	1197	Petrol	116	10/2016 >	
TOYOTA C-HR (_X1_)	1.8	1798	Hybrid	122	10/2016 >	

Notes:

Manufacturers details are for guidance only. For pricing enquiries please contact our sales team on 01582 578 888

Comline Auto Parts Limited

Unit B1, Luton Enterprise Park, Sundon Road, Luton, Bedfordshire LU3 3GU

Tel: 01582 578 888 International Tel: +44 1582 578 888 Fax: 01582 578 889 International Fax: +44 1582 578 889

Email: sales@comline.uk.com **Web:** www.comline.uk.com