



AUTO PARTS

# Product Bulletin

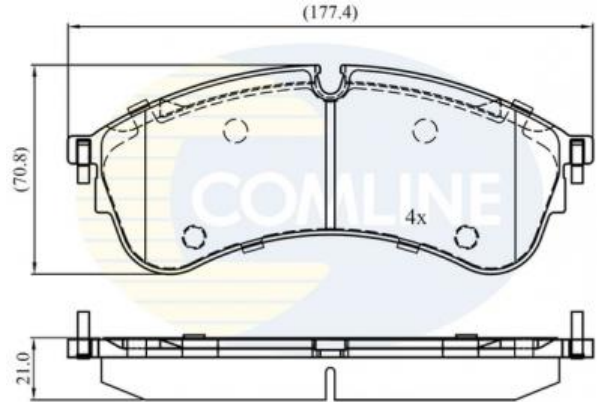
## CBP02400 - Brake pad set, disc brake

### Vehicles

MAN, VW,

### Technical Info

Fitting Position	Front Axle
Length (mm)	177.4
Part Info	Prepared for wear indicator
Thickness (mm)	21



### Cross References

<b>AUDI</b>	2N0698151A	<b>BREMBO</b>	P 85 168	<b>BREMBO</b>	P85168
<b>ICER</b>	142283	<b>MAN</b>	65508206001	<b>MINTEX</b>	MDB4005
<b>PAGID</b>	T2679	<b>R BRAKE</b>	RB2283	<b>RAICAM</b>	RA.1223.0
<b>SEAT</b>	2N0698151A	<b>SKODA</b>	2N0698151A	<b>TEXTAR</b>	2217801
<b>VW</b>	2N0698151A				

### Notes:

Manufacturers details are for guidance only. For pricing enquiries please contact our sales team on 01582 578 888

### Comline Auto Parts Limited

Unit B1, Luton Enterprise Park, Sundon Road, Luton, Bedfordshire LU3 3GU

Tel: 01582 578 888 International Tel: +44 1582 578 888 Fax: 01582 578 889 International Fax: +44 1582 578 889

Email: [sales@comline.uk.com](mailto:sales@comline.uk.com) Web: [www.comline.uk.com](http://www.comline.uk.com)



**AUTO PARTS**

# Product Bulletin

## CBP02400 - Brake pad set, disc brake

### Buyers Guide

Make/Model	Litre	CC	Engine	HP	Model Year	Fitted Period
MAN TGE Box (UY_)	2.0	1968	Diesel	102	2/2017 >	
MAN TGE Box (UY_)	2.0	1968	Diesel	177	5/2017 >	
MAN TGE Box (UY_)	2.0	1968	Diesel	140	10/2017 >	
MAN TGE Box (UY_)	2.0	1968	Diesel	122	8/2017 >	
MAN TGE Box (UY_)	2.0	1968	Diesel	177	3/2017 >	
MAN TGE Box (UY_)	2.0	1968	Diesel	140	4/2017 >	
MAN TGE Box (UY_)	2.0	1968	Diesel	177	2/2017 >	
MAN TGE Box (UY_)	2.0	1968	Diesel	140	2/2017 >	
MAN TGE Platform/Chassis (UZ_)	2.0	1968	Diesel	177	11/2017 >	
MAN TGE Platform/Chassis (UZ_)	2.0	1968	Diesel	140	11/2017 >	
MAN TGE Platform/Chassis (UZ_)	2.0	1968	Diesel	177	7/2017 >	
MAN TGE Platform/Chassis (UZ_)	2.0	1968	Diesel	140	11/2017 >	
MAN TGE Platform/Chassis (UZ_)	2.0	1968	Diesel	122	8/2017 >	
MAN TGE Platform/Chassis (UZ_)	2.0	1968	Diesel	177	11/2016 >	
MAN TGE Platform/Chassis (UZ_)	2.0	1968	Diesel	140	11/2016 >	
MAN TGE Platform/Chassis (UZ_)	2.0	1968	Diesel	102	11/2016 >	
VW CRAFTER Box (SY_, SX_)	2.0	1968	Diesel	140	10/2017 >	
VW CRAFTER Box (SY_, SX_)	2.0	1968	Diesel	140	4/2017 >	
VW CRAFTER Box (SY_, SX_)	2.0	1968	Diesel	177	5/2017 >	
VW CRAFTER Box (SY_, SX_)	2.0	1968	Diesel	122	8/2017 >	
VW CRAFTER Box (SY_, SX_)	2.0	1968	Diesel	177	3/2017 >	
VW CRAFTER Box (SY_, SX_)	2.0	1968	Diesel	177	9/2016 >	
VW CRAFTER Box (SY_, SX_)	2.0	1968	Diesel	140	9/2016 >	
VW CRAFTER Box (SY_, SX_)	2.0	1968	Diesel	102	10/2016 >	
VW CRAFTER Bus (SY_)	2.0	1968	Diesel	177	9/2016 >	
VW CRAFTER Bus (SY_)	2.0	1968	Diesel	140	9/2016 >	

#### Notes:

Manufacturers details are for guidance only. For pricing enquiries please contact our sales team on 01582 578 888

#### Comline Auto Parts Limited

Unit B1, Luton Enterprise Park, Sundon Road, Luton, Bedfordshire LU3 3GU

Tel: 01582 578 888 International Tel: +44 1582 578 888 Fax: 01582 578 889 International Fax: +44 1582 578 889

**Email:** [sales@comline.uk.com](mailto:sales@comline.uk.com) **Web:** [www.comline.uk.com](http://www.comline.uk.com)



**AUTO PARTS**

# Product Bulletin

## CBP02400 - Brake pad set, disc brake

### Buyers Guide

Make/Model	Litre	CC	Engine	HP	Model Year	Fitted Period
VW CRAFTER Bus (SY_)	2.0	1968	Diesel	102	10/2016 >	
VW CRAFTER Platform/Chassis (SZ_)	2.0	1968	Diesel	140	11/2017 >	
VW CRAFTER Platform/Chassis (SZ_)	2.0	1968	Diesel	140	11/2017 >	
VW CRAFTER Platform/Chassis (SZ_)	2.0	1968	Diesel	177	7/2017 >	
VW CRAFTER Platform/Chassis (SZ_)	2.0	1968	Diesel	122	8/2017 >	
VW CRAFTER Platform/Chassis (SZ_)	2.0	1968	Diesel	177	11/2016 >	
VW CRAFTER Platform/Chassis (SZ_)	2.0	1968	Diesel	140	11/2016 >	
VW CRAFTER Platform/Chassis (SZ_)	2.0	1968	Diesel	102	11/2016 >	
VW CRAFTER Platform/Chassis (SZ_)	2.0	1968	Diesel	177	3/2017 >	

#### Notes:

Manufacturers details are for guidance only. For pricing enquiries please contact our sales team on 01582 578 888

#### Comline Auto Parts Limited

Unit B1, Luton Enterprise Park, Sundon Road, Luton, Bedfordshire LU3 3GU

Tel: 01582 578 888 International Tel: +44 1582 578 888 Fax: 01582 578 889 International Fax: +44 1582 578 889

**Email:** [sales@comline.uk.com](mailto:sales@comline.uk.com) **Web:** [www.comline.uk.com](http://www.comline.uk.com)