



AUTO PARTS

Product Bulletin

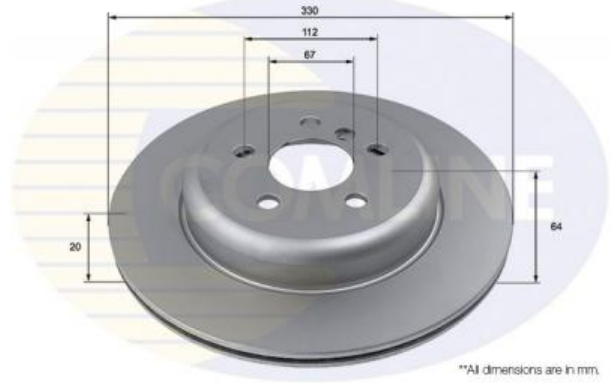
ADC5033VL - Brake disc

Vehicles

BMW,

Technical Info

Brake Disc Thickness (mm)	20	Minimum Thickness (mm)	18.4
Brake Disc Type	Vented Disc	Number of Bores	1
Centering Diameter (mm)	67	Number of Holes	5
Fitting Position	Front Axle Left	Outer Diameter (mm)	330
Height (mm)	64	Pitch Circle	112



*All dimensions are in mm.

Cross References

BMW	34 21 6 882 245	BMW	34216882245	ZIMMERMANN	150.2952.20
------------	-----------------	------------	-------------	-------------------	-------------

Notes:

Manufacturers details are for guidance only. For pricing enquiries please contact our sales team on 01582 578 888

Comline Auto Parts Limited

Unit B1, Luton Enterprise Park, Sundon Road, Luton, Bedfordshire LU3 3GU

Tel: 01582 578 888 International Tel: +44 1582 578 888 Fax: 01582 578 889 International Fax: +44 1582 578 889

Email: sales@comline.uk.com Web: www.comline.uk.com



AUTO PARTS

Product Bulletin

ADC5033VL - Brake disc

Buyers Guide

Make/Model	Litre	CC	Engine	HP	Model Year	Fitted Period
BMW 5 (G30, F90)	2.0	1995	Diesel	163	9/2016 >	
BMW 5 (G30, F90)	2.0	1995	Diesel	163	9/2016 >	
BMW 5 (G30, F90)	2.0	1995	Diesel	190	9/2016 >	
BMW 5 (G30, F90)	2.0	1995	Diesel	190	9/2016 >	
BMW 5 (G30, F90)	2.0	1998	Petrol	252	9/2016 >	
BMW 5 (G30, F90)	2.0	1998	Petrol	252	9/2016 >	
BMW 7 (G11, G12)	2.0	1995	Diesel	231	7/2016 - 2/2019	
BMW 7 (G11, G12)	2.0	1998	Petrol	258	11/2015 - 2/2019	
BMW 7 (G11, G12)	3.0	2993	Diesel	211	9/2015 >	
BMW 7 (G11, G12)	3.0	2993	Diesel	211	7/2015 >	
BMW 7 (G11, G12)	3.0	2993	Diesel	265	9/2015 >	
BMW 7 (G11, G12)	3.0	2993	Diesel	265	9/2015 >	

Notes:

Manufacturers details are for guidance only. For pricing enquiries please contact our sales team on 01582 578 888

Comline Auto Parts Limited

Unit B1, Luton Enterprise Park, Sundon Road, Luton, Bedfordshire LU3 3GU

Tel: 01582 578 888 International Tel: +44 1582 578 888 Fax: 01582 578 889 International Fax: +44 1582 578 889

Email: sales@comline.uk.com **Web:** www.comline.uk.com