



**AUTO PARTS**

# Product Bulletin

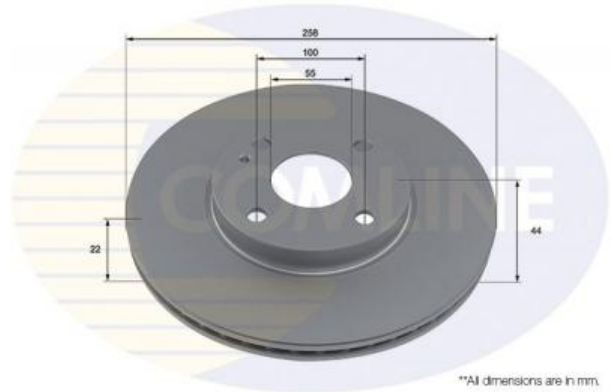
## ADC5005V - Brake disc

### Vehicles

MAZDA,

### Technical Info

Brake Disc Thickness (mm)	22	Minimum Thickness (mm)	20
Brake Disc Type	Vented Disc	Number of Bores	1
Centering Diameter (mm)	55	Number of Holes	4
Fitting Position	Front Axle	Outer Diameter (mm)	258
Height (mm)	44	Pitch Circle	100



\*All dimensions are in mm.

### Cross References

<b>A.B.S.</b>	17938	<b>ABE</b>	C33089ABE	<b>ALLIED NIPPON</b>	AND7287
<b>APEC</b>	DSK3307	<b>ASHIKA</b>	60-03-325	<b>ASHUKI</b>	M606-39
<b>BORG &amp; BECK</b>	BBD5476	<b>BOSCH</b>	0 986 479 541	<b>DENCKERMANN</b>	B130677
<b>HERTH+BUSS JAKOPARTS</b>	J3303094	<b>JAPANPARTS</b>	DI-325	<b>JAPKO</b>	60325
<b>JURATEK</b>	MAZ135	<b>KAVO</b>	BR-4799-C	<b>MAZDA</b>	D09T-33-251
<b>MAZDA</b>	D09T33251	<b>MAZDA</b>	DA7R33251	<b>MEYLE</b>	35-15 521 0030
<b>MEYLE</b>	MBD0925	<b>MOTAQUIP</b>	LVBD1929	<b>NIPPARTS</b>	N3303086
<b>TRW</b>	DF6793	<b>ZIMMERMANN</b>	370.3057.20		

### Notes:

Manufacturers details are for guidance only. For pricing enquiries please contact our sales team on 01582 578 888

### Comline Auto Parts Limited

Unit B1, Luton Enterprise Park, Sundon Road, Luton, Bedfordshire LU3 3GU

Tel: 01582 578 888 International Tel: +44 1582 578 888 Fax: 01582 578 889 International Fax: +44 1582 578 889

**Email:** [sales@comline.uk.com](mailto:sales@comline.uk.com) **Web:** [www.comline.uk.com](http://www.comline.uk.com)



**AUTO PARTS**

# Product Bulletin

## ADC5005V - Brake disc

### Buyers Guide

Make/Model	Litre	CC	Engine	HP	Model Year	Fitted Period
MAZDA 2 (DL, DJ)	1.5	1499	Diesel	105	8/2014 - 2/2018	2/2015 >
MAZDA 2 (DL, DJ)	1.5	1496	Petrol	115	8/2014 >	2/2015 >
MAZDA 2 (DL, DJ)	1.5	1496	Petrol	75	8/2014 >	2/2015 >
MAZDA 2 (DL, DJ)	1.5	1496	Petrol	90	8/2014 >	2/2015 >
MAZDA MX-5 IV (ND)	1.5	1496	Petrol	131	6/2015 >	> 3/2019

#### Notes:

Manufacturers details are for guidance only. For pricing enquiries please contact our sales team on 01582 578 888

#### Comline Auto Parts Limited

Unit B1, Luton Enterprise Park, Sundon Road, Luton, Bedfordshire LU3 3GU

Tel: 01582 578 888 International Tel: +44 1582 578 888 Fax: 01582 578 889 International Fax: +44 1582 578 889

**Email:** [sales@comline.uk.com](mailto:sales@comline.uk.com) **Web:** [www.comline.uk.com](http://www.comline.uk.com)