



AUTO PARTS

Product Bulletin

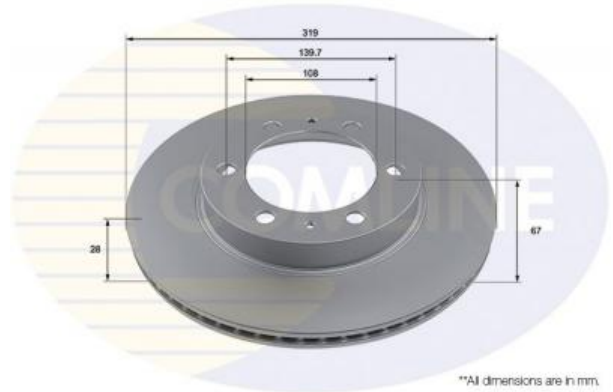
ADC5003V - Brake disc

Vehicles

TOYOTA,

Technical Info

Brake Disc Thickness (mm)	28	Minimum Thickness (mm)	26
Brake Disc Type	Vented Disc	Number of Bores	2
Centering Diameter (mm)	108	Number of Holes	6
Fitting Position	Front Axle	Outer Diameter (mm)	319
Height (mm)	67	Pitch Circle	139.7



*All dimensions are in mm.

Cross References

ALLIED NIPPON	AND7285	APEC	DSK3082	ASHIKA	60-02-2044
BLUE PRINT	ADT343275	BORG & BECK	BBD5375	DELPHI	BG4925C
FREMAX	BD-4113	JAPANPARTS	DI-2044	JAPKO	602044
KAVO	BR-9516-C	MINTEX	MDC2803C	MOTAQUIP	LVBD1930
NPS	T330A187	PAGID	55749	PROTECHNIC	PRD2971
TEXTAR	92274903	TOYOTA	435120K140		

Notes:

Manufacturers details are for guidance only. For pricing enquiries please contact our sales team on 01582 578 888

Comline Auto Parts Limited

Unit B1, Luton Enterprise Park, Sundon Road, Luton, Bedfordshire LU3 3GU

Tel: 01582 578 888 International Tel: +44 1582 578 888 Fax: 01582 578 889 International Fax: +44 1582 578 889

Email: sales@comline.uk.com **Web:** www.comline.uk.com



AUTO PARTS

Product Bulletin

ADC5003V - Brake disc

Buyers Guide

Make/Model	Litre	CC	Engine	HP	Model Year	Fitted Period
TOYOTA HILUX VIGO VII Pickup (_N1_, _N2_, _N3_)	2.5	2494	Diesel	120	6/2006 - 5/2015	> 5/2010
TOYOTA HILUX VIGO VII Pickup (_N1_, _N2_, _N3_)	3.0	2982	Diesel	171	8/2005 - 5/2015	
TOYOTA HILUX VIGO VII Pickup (_N1_, _N2_, _N3_)	2.5	2494	Diesel	144	12/2007 - 5/2015	12/2009 >
TOYOTA HILUX VIGO VII Pickup (_N1_, _N2_, _N3_)	3.0	2982	Diesel	197	5/2008 - 12/2012	
TOYOTA HILUX VIII Pickup (_N1_)	2.4	2393	Diesel	150	5/2015 >	5/2016 >

Notes:

Manufacturers details are for guidance only. For pricing enquiries please contact our sales team on 01582 578 888

Comline Auto Parts Limited

Unit B1, Luton Enterprise Park, Sundon Road, Luton, Bedfordshire LU3 3GU

Tel: 01582 578 888 International Tel: +44 1582 578 888 Fax: 01582 578 889 International Fax: +44 1582 578 889

Email: sales@comline.uk.com **Web:** www.comline.uk.com