



AUTO PARTS

Product Bulletin

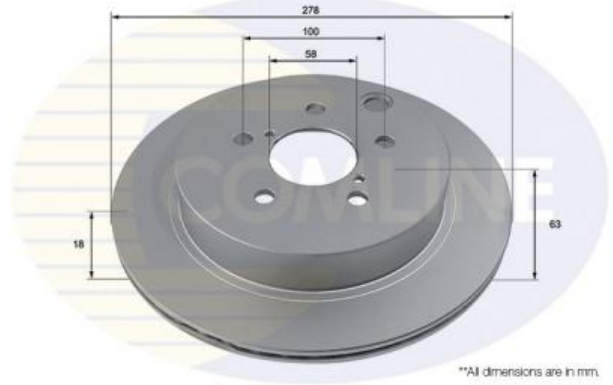
ADC4096V - Brake disc

Vehicles

SUBARU,

Technical Info

| | | | |
|---------------------------|-------------|------------------------|-----|
| Brake Disc Thickness (mm) | 18 | Minimum Thickness (mm) | 16 |
| Brake Disc Type | Vented Disc | Number of Bores | 3 |
| Centering Diameter (mm) | 58 | Number of Holes | 5 |
| Fitting Position | Rear Axle | Outer Diameter (mm) | 278 |
| Height (mm) | 63 | Pitch Circle | 100 |



Cross References

| | | | | | |
|---------------|------------|------|---------|------------|----------|
| ALLIED NIPPON | AND7278 | APEC | DSK3165 | BLUE PRINT | ADS74341 |
| SUBARU | 26700SG000 | | | | |

Notes:

Manufacturers details are for guidance only. For pricing enquiries please contact our sales team on 01582 578 888

Comline Auto Parts Limited

Unit B1, Luton Enterprise Park, Sundon Road, Luton, Bedfordshire LU3 3GU

Tel: 01582 578 888 International Tel: +44 1582 578 888 Fax: 01582 578 889 International Fax: +44 1582 578 889

Email: sales@comline.uk.com Web: www.comline.uk.com



COMLINE

AUTO PARTS

Product Bulletin

ADC4096V - Brake disc

Buyers Guide

| Make/Model | Litre | CC | Engine | HP | Model Year | Fitted Period |
|-----------------------|-------|------|--------|-----|------------|---------------|
| SUBARU FORESTER (SJ_) | 2.0 | 1998 | Diesel | 147 | 3/2013 > | 5/2013 > |
| SUBARU FORESTER (SJ_) | 2.0 | 1998 | Petrol | 241 | 3/2013 > | 5/2013 > |

Notes:

Manufacturers details are for guidance only. For pricing enquiries please contact our sales team on 01582 578 888

Comline Auto Parts Limited

Unit B1, Luton Enterprise Park, Sundon Road, Luton, Bedfordshire LU3 3GU

Tel: 01582 578 888 International Tel: +44 1582 578 888 Fax: 01582 578 889 International Fax: +44 1582 578 889

Email: sales@comline.uk.com **Web:** www.comline.uk.com