



AUTO PARTS

Product Bulletin

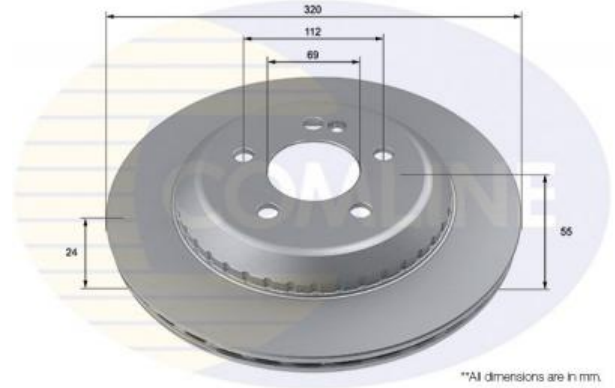
ADC4088V - Brake disc

Vehicles

MERCEDES-BENZ

Technical Info

Brake Disc Thickness (mm)	24	Minimum Thickness (mm)	21.4
Brake Disc Type	Vented Disc	Number of Bores	1
Centering Diameter (mm)	69	Number of Holes	5
Fitting Position	Rear Axle	Outer Diameter (mm)	320
Height (mm)	55	Pitch Circle	112



*All dimensions are in mm.

Cross References

ALLIED NIPPON

AND7270

MERCEDES BENZ

A2224200472

Notes:

Manufacturers details are for guidance only. For pricing enquiries please contact our sales team on 01582 578 888

Comline Auto Parts Limited

Unit B1, Luton Enterprise Park, Sundon Road, Luton, Bedfordshire LU3 3GU

Tel: 01582 578 888 International Tel: +44 1582 578 888 Fax: 01582 578 889 International Fax: +44 1582 578 889

Email: sales@comline.uk.com Web: www.comline.uk.com



AUTO PARTS

Product Bulletin

ADC4088V - Brake disc

Buyers Guide

Make/Model	Litre	CC	Engine	HP	Model Year	Fitted Period
MERCEDES-BENZ S-CLASS (W222, V222, X222)	2.2	2143	Hybrid	231	2/2014 >	

Notes:

Manufacturers details are for guidance only. For pricing enquiries please contact our sales team on 01582 578 888

Comline Auto Parts Limited

Unit B1, Luton Enterprise Park, Sundon Road, Luton, Bedfordshire LU3 3GU

Tel: 01582 578 888 International Tel: +44 1582 578 888 Fax: 01582 578 889 International Fax: +44 1582 578 889

Email: sales@comline.uk.com **Web:** www.comline.uk.com